

MAKE YEAR	ENGINE & MODEL	CARBURETOR NUMBER	MFG CODE & MODEL	KIT NO.
AERO COACH				
6 CYL				
1941-44	IHC FBC 450 P-29,33 BUS	9991	Z-1 28	2088
AMERICAN BANTAM				
4 CYL				
1941	BRC 1/4 TON U.S. ARMY	380057	S-1 BXOV-1	2037
AMERICAN LAFRANCE				
12 CYL				
1936-39	FIRE TRUCK	99-8 (F8775)	S-2 EE22	2041
1938	FIRE TRUCK	99-27	S-2 AAV-25	2007
1939	FIRE TRUCK	99-28	S-2 AAVP-2	3011
1946-53	FIRE TRUCK (2 CARBS)	99-25,A	S-1 BXOV-2	2037
AMERICAN MOTORS				
6 CYL				
1951-55	RAMBLER, STATESMAN	757S,SA,SB,824S,SA,SB,876SA,877SA	C-1 YF	2108
1954-55	STATESMAN	2163S,2258S	C-1 YF	2020
1956-58	RAMBLER 5610,5710,5810	2349S,2564S,2580S,2664S,2665S,2748S,2749S	C-1 AS	2133
1956-60	RAMBLER 5610,5710,5810,5910,6010	2944S,2960S	C-1 AS	2096
1956-60	RAMBLER STATESMAN	757S,SA,SB,824S,SA,SB,876SA,877SA	C-1 YF	2108
1956-67	226" ENG, 4WD,2WD STATION WAGON, UTILITY PANEL, 4ED TRUCK FC-170 FORWARD CONTROL JEEP TRUCK	2467S	C-1 YF	2020
1956-70	195.6",232" ENG, AMBASSADOR, HORNET, JAVELIN, REBEL, EXPORT HORNET, AMERICAN, CLASSIC, MARLIN, RAMBLER, STATESMAN	2350S,2586S,SA,2887S,SA, 3170S,3322S,3434S, 3535S,3706S,3707S,3888S,4191S,4365S,4410S, 4537S,4667S,4668S,4816S,4817S,4950S,6042S, 3194503,3194504	C-2 WCD	2025
1958-62	AMERICAN M-5801,5901,6001,6101, 6201	2014S,2757S,3331S,3380S	C-1 YF	2108
1961-63	RAMBLER 6110,6210,6310	3169S,3206S,3536S	C-1 AS	2098
1966	225" ENG JEEP	7025149	R-1 BC	2046
8 CYL				
1955-57	AMBASSADOR SPECIAL, RAMBLER	2231S,SA,2352S,SA	C-2 WGD	2040
1957	5720,5780	2593S,SA	C-4 WCFB	2057
1958-59	AMBASSADOR, RAMBLER, REBEL 250,327" ENG	R-1312A,AS,-1A,1-AAS,R-1748A,-AS, -1A,-1AS,R-1957A,R-1958A	H-4 4150C	1022
1958-68	250",327" ENG (REPL CARB)	R-3201A,R-3202A,R-3203A,AAS,R-3220AAS, R-3391A,AAS	H-4 4150	2060
1960-64	250",287",327" ENG, AMBASSADOR, CLASSIC, RAMBLER, REBEL	3944S	C-2 ABD	1019
1960-65	250",287",327" ENG AMBASSADOR, CLASSIC, REBEL	R-2040A,AS,-1A,-1AS,R-2228A,AS, R-2442A,-1A,-2A,R-2463A,-1A,-2A, R-2463AAS,-1AAS,-2AAS,R-3075AAS	H-2 2300	1017
1967-68	AMBASSADOR, AMERICAN, AMX, CLASSIC, JAVELIN, MARLIN, REBEL 290",343",390"	4216S,4258S,4352S,4353S,4354S,4355S,4358S 4467S,4468S,4469S,4583S,4584S,4585S, 4622S,4623S,4624S,4692S,6045S,6046S	C-4 AFB	2093
1968-76	290",304",343",360",390" RAMBLER, (REPL CARBS)	R-4517AAA,-1AAA,R-6513AAA,-1AAA, R-6986AAA,R-7451A,AAA,-1A,R-7717A, R-7718A,R-7719A,R-8211AAA,R-8651AAA	H-2 2300	1017

MAKE YEAR	ENGINE & MODEL	CARBURETOR NUMBER	MFG CODE & MODEL	KIT NO.
--------------	-------------------	----------------------	---------------------	------------

AMERICAN MOTORS 8 CYL - CONTD

1967-69	AMBASSADOR,AMERICAN,AMX, CLASSIC,JAVELIN, MARLIN, REBEL 290",343",390" ENG	4660S,4661S,4662S,4663S,4664S,4665S 6043S,6044S	C-4 AFB	2093
1970-73	360",390",401" ENG (REPL CARB)	R-6267AAA,-1AAA,-2AAA	H-4 4160	2060
1970-74	JEEP 304",360" ENG	R-4517-2AAA,R-6513,AAA,-1AAA,-2AAA, R-6986,AAA,-1AAA,R-7451,AAA,1A,-1AAA	H-2 2300	1017

AUBURN 6 CYL

1934-35	652X,652Y,653	288S,307S	C-1 W1	2015
1935-36	653,654	A-18052 (17-3)	S-1 EX-22	2119

8 CYL

1933-36	8-50X,8-105,851,852 SUPERCHG	A-17413 (17-7),A-17583 (17-2),A-17753 (17-9A)	S-1 EX-32	2119
1934-36	8-50Y,851,852,853	A-17611 (17-1)	S-2 EE-1	2039

AUTOCAR - TRUCK 6 CYL

1936-40	HERC, ENG A, UA, B,C10,T,C20,T, U10,T,U20,T	8588	Z-1 20-23	2126
1949-53	447" ENG C70,C70B,C70T,C70-64 501" ENG C70S,C70TS,C70-64S, C90,C90D,C90T,C90-64	R-634A (6AF-050) R-635A (6AG-050)	H-2 885-FFG H-2 885-FFG	2127 2127
1957-58	490A ENG C65,C6764-OH,C87D-OH, C9564,-OH,C10364S-OH	R-1448A,R-1594A,-1A	H-4 2140SG	2105

AVAILABLE TRUCK 6 CYL

...	MACK BK ENG WS-240	F3238	S-1 EX-32	2119
1952-53	WAUK. 6BM	11410	Z-1 28AV12	2088

AVANTI 8 CYL

1963-64	259",289" ENG, AVANTI R2, 64VE JET THRUST (SUPERCHARGED)	3507S,3588S,3725S	C-4 AFB	2000
1963-64	259",289" ENG	3506S,3540S,3589S	C-4 AFB	2086
1964	304" ENG R4 (2 CARBS)	3810(F),3811S(R)	C-4 AFB	2048
	304" ENG R3	3808S	C-4 AFB	2086
1970-72	350" ENG	7040202,203,7041212,213	R-4 4MV	2069

BEAUMONT - SEE CHEVELLE

BARRACUDA 8 CYL

1967	273" ENG HIGH PERF	4294S,4295S,4304S,4305S	C-4 AFB	2083
1970	440" ENG, CANADA (3 CARBS)	R-4375A,AAS,R-4376A,AAS,R-4382A, AAS,R-4383A,AAS	H-2 2300	2066
1970-71	440" ENG (3 CARBS)	R-4144A,-1A,-1AAS,R-4175A,AAS,-1AAS, R-4365A, AAS,-1AAS,R-4374A,-1A, R-4375A, AAS R-4376A,AAS,R-4382A,AAS, R-4383A,		

MAKE YEAR	ENGINE & MODEL	CARBURETOR NUMBER	MFG CODE & MODEL	KIT NO.
--------------	-------------------	----------------------	---------------------	------------

BARRACUDA 8 CYL - CONTD

		AAS,-1AAS,R-4669A,R-4670A,AAS,R-4671A, R-4672A,AAS	H-2 2300	2066
1970-71	426" ENG HIGH PERF (2 CARBS)	4742S,(F),4745S(R),4746S(R),4969S(R), 4970S(R),4971S(F)	C-4 AFB	2083
1971	340" ENG (3 CARBS)	R-4789A,AAS,R-4790A,AAS,R-4791A, AAS,R-4792A,AAS	H-2 2300	2066

BROCKWAY TRUCK 6 CYL

1942-44	HERC ENG B 666	10053	Z-1 20/23	2126
---------	----------------	-------	-----------	------

BRONCO 8 CYL

1966-71	289",302' ENG	R-4027AAS,R-6221-AAA,-1AAA	H-2 2300	1017
1966-69	289",302" ENG	C6PF-9510-L,C6TF-BG,BH,C7TF-C,D, V,C8PF-B,C8TF-AA,AF,C9UF-B,D0PF- AJ,D1PF-AA	F-2 2100	1020
1969-71	302" ENG	C9TF-9510-L,C9UF-A,B,D0BF-C,D, D0PF-AJ,D1BF-AA,D1UF-FA	F-2 2100	1020
1972	302" ENG	D2BF-9510-AA,EA,FA,D2PF-KA	F-2 2100	1020
1973	302" ENG	D3BF-9510-AC,AD,AE,BC,BD,BE,EA,FA, GA,HA,D3PF-HA,HB,D4PE-AYA	F-2 2100	1020
1974	302" ENG	D4BE-9510-AA,BA,BS,CA,EA,FA,D4PE-KA, AZA,BDA,D4TE-AYA,D4TF-AA,BA,CA	F-2 2100	1020

BUICK 6 CYL

1964-65	225" ENG, SPECIAL	7024148,149,7025148,49	R-2 BC	2046
1966-67	225" ENG, SPECIAL	7026144,7026145,7027040,7027041, 7027042,7036144	R-2 2GC	2019

8 CYL

1935-36	40	A-17671 (7-1),A-18181 (7-5A) A-18191 (7-7A),A-18171 (7-9)	S-2 EE-1	2039
1935-40	40/60/70/80/90	419S,448S	C-2 WDO	2028
1937	40	A-18361 (7-12),A-18451 (7-14)	S-2 AA-1	2007
1937	60/80/90	A-18362 (7-13),A-18452 (7-15)	S-2 AA-2	2008
1937-38	40, MARVEL SCHEBLER REPL	380242 (7-79),380861 (7-82)	S-2 AAV-167	2007
1937-38	60/80/90	380150 (7-36),380243 (7-80A)	S-2 AAV-26,267	2008
1938	40	A-18681 (7-17),A-18691 (7-19)	S-2 AAV-1	2007
1938	60/80/90	A-18682 (7-18),A-18692 (7-20)	S-2 AAV-2	2008
1939	40	A-18971 (7-24),380244 (7-81)	S-2 AAV-16,167	2007
1939	60/80/90	A-18972 (7-22A),A-18982 (7-23A)	S-2 AAV-26	2008
1939-40	40/50, TAXI	440S,459S,474S	C-2 WDO	2028
1940	40/50	A-19181 (7-32),380238 (7-75)	S-2 AAV-16,167	2007
1940	60/70/80/90	A-19192 (7-33),380240 (7-77A),380867 (7-77A)	S-2 AAV-26,267	2008
1940	60/70/80/90	A-19182 (7-34)	S-2 AAV-26	2008
1941	50/60/70/90 (FRONT CARB)	380032 (7-39A),380064 (7-44),380066 (7-46)	S-2 AAV-16	2007
1941	60/70/90 (REAR CARB)	380034 (7-41),380065 (7-45A)	S-2 AA-1	2009
1941	50 (REAR CARB)	380043 (7-43),380067 (7-47)	S-2 AA-1	2009
1941-42	40,50	380029 (7-37),380042 (7-42A)	S-2 AAV-16	2007
1941-42	40/50 (FRONT CARB)	380236 (7-73A)	S-2 AAV-167	2007
1941-42	60/70/90	380239 (7-76)	S-2 AAV-167	2007

MAKE YEAR	ENGINE & MODEL	CARBURETOR NUMBER	MFG CODE & MODEL	KIT NO.
BUICK 8 CYL - CONTD				
1941-42	40/50 SUPER,60 CENTURY, 70 ROAD- MASTER,90 LIMITED (REAR CARB)	380095 (7-55A),380096 (7-56A)	S-2 AA-1	2009
1941-42	40/50 SUPER, 60 CENTURY, 70 ROAD- MASTER 90 LIMITED (FRONT CARB)	380103 (7-59A),380104 (7-60A)	S-2 AAV-16	2007
1941-42	40,50,60,70,90	487S,549S,551S	C-2 WCD	2122
1941-42	40,50,60,70,90 (2 CARBS) (FRONT)	490S,509S,528S,533S	C-2 WCD	2122
1941-42	40,50,60,70,90 (2 CARBS) (REAR)	491S,510S,529S,534S,543S,544S	C-2 WCD	2123
1941-47	40 SPECIAL, 50 SUPER	380106 (7-68),380237 (7-74A)	S-2 AAV-16	2007
1941-47	60/70/90	380241 (7-78A),380097 (7-57)	S-2 AAV-26,267	2008
1942-50	50 SUPER (FRONT CARB)	380103 (7-59)	S-2 AAV-16	2007
1946-49	40/50/70	608S,SA,SC,609S,SA,SC,663S,664S	C-2 WCD	2006
1948-49	70	380226 (7-70B)	S-2 AAV-267	2008
1948-49	40 SPECIAL, 50 SUPER	380225 (7-69B)	S-2 AAV-167	2007
1950-51	70	380258 (7-89C),B,380310 (7-91A)	S-2 AAVB-267	2008
1950-53	M-40/50/70	725S,SA,726S,SA,882S,SA,883S	C-2 WCD	2025
1950-53	40/50	380257 (7-88B,C),380309 (7-90B)	S-2 AAUVB-267	2007
1952-53	ROADMASTER, M-70	894S,SA,SC,996S,2053S	C-4 WCFB	2057
1952-54	70	380315 (7-92A,B),380337 (7-94A,B,C) 380346(7-98)	S-4 4A	2017
1953-54	SUPER 50,SPECIAL 40/50	2017S,2081S,SA	C-2 WCD	2006
1953-55	40/50	380338 (7-95B),380372 (7-102,7-102A)	S-2 AAVB-267	2008
1954	40/50	380345 (7-96)	S-2 AAVB-267	2008
1954	M-60,70,100	2082S	C-4 WCFB	2022
1955	SUPER M-50, CENTURY 60, ROADMASTER 70	7006200,7009100	R-4 4GC	2059
1955	SUPER M-50, CENTURY 60, ROADMASTER 70	2197S,2358S	C-4 WCFB	2057
1955-56	M-40	7-103,7-104,7-105,A,B,	S-2 WW	2103
1955-60	264",322",364" ENG, M-40,4400 (INCL CANADA)	2292S,2378S,2400S,2500S,2529S, 2536S,2548S,2674S,2675S,2682S,2837S, 2838S,2845S,2979S,SA,2980S,SA	C-2 WGD	2074
1956	SUPER M-50, CENTURY 60, ROADMASTER 70	2347S	C-4 WCFB	2057
1956	M-50,60,70	7009200,7009900	R-4 4GC	2073
1957-58	M-50,60,70,700 (EARLY 1958)	7010070,7011570,600	R-4 4GC	2042
1957-60	M-40,50,60,70,700,4400 4600,4700,4800	2507S,2625S,2800S,2840S,2877S, 2981S,2982S	C-4 AFB	2029
1957-60	M-40,4400	7-106,A,B,C,7-109,A,B,7-112,A,7-113,A	S-2 WW	2117
1958-63	M-50,60,70,700,4600,4700 4800,(LATE 1958)	7013044,100,7015040,7019040, 7020040,041,7023040,143	R-4 4GC	2042
1961	4400 LE SABRE	7-114,A	S-2 WW	2102
1961	364" ENG, M-4400	7019042	R-2 2GC	2131
1961-62	M-4400,4600,4700,4800	3088S,3089S,3297S	C-4 AFB	2048
1961-63	SPECIAL, LE SABRE 215" ENG	7020043,045,7023044,045	R-4 4GC	2089
1962-63	LE SABRE	7020046,47,48,49,7023041,42,43,7023145,46	R-2 2GC	2110
1963-65	425" ENG	3578S,3579S,3635S,3665S,3922S,3923S	C-4 AFB	2048
1963-66	401" ENG	3503S,SA,3633S,3635S,3921S,3922S, 4053S,4054S,4059S,4060S,4453S	C-4 AFB	2048
1964	ELECTRA, WILDCAT, 401" ENG	7024040	R-4 4GC	2042
1964	SPECIAL, LE SABRE 300" ENG	7024044,45	R-4 4GC	2089
1964-65	425" ENG (2 CARBS)	3634S,3645S,SA,SB,3646S,3924S,SA,3925S,SA	C-4 AFB	2048
1965	300" ENG	3826S,3827S	C-4 AFB	2048
1965-66	401",425" ENG	7025040,42,7025140,7026040	R-4 4GC	2042
1965-66	SPECIAL 300",340",400",401" ENG	3826S,3827S,4053S,4054S,4055S,4056S, 4059S,4060S,4061S,4179S,4180S,4181S	C-4 AFB	2048
1965-66	400" ENG	4060S,4179S,4180S,4181S,4453S	C-4 AFB	2048
1965-67	300",340" ENG SPECIAL, LE SABRE	4560S	C-2 WGD	2040

MAKE YEAR	ENGINE & MODEL	CARBURETOR NUMBER	MFG CODE & MODEL	KIT NO.
BUICK 8 CYL - CONTD				
1966	425" ENG 46000,48000,49000, WILD CAT, ELECTRA 225, RIVIERA (2 CARBS)	4050S(F),4051S(R)	C-4 AFB	2048
1966-67	340" ENG	4055S,4056S,4061S,4331S,4332S,4344S	C-4 AFB	2048
1966-67	300",340",350" ENG (INCL SPECIAL & CANADA)	7026046,7026047,7026146,7026147, 7027044,7027045,7027046,7027049, 7028140,7028141,7029140,7029141, 7036046,7036048,7036146,7036248,7037034	R-2 2GC	2019
1968	350" ENG LE SABRE, SKYLARK HIGH PERF	7028244,245	R-4 4MV	2062
1969-71	350" ENG LE SABRE SKYLARK HIGH PERF	7029244,245,7040244,245,7041245,544	R-4 4MV	2062
1972	350" ENG LE SABRE	7042244,944	R-4 4MV	2062
	350" ENG SKYLARK HIGH PERF	7042244,245,944	R-4 4MV	2062
1972	350",455" ENG (REPL CARB)	17054900,901	R-4 4MV	2062
1973-74	350" ENG APOLLO,CENTURY, LE SABRE	7043244,245,246,7044244,246,544,546, 17054902	R-4 4MV	2062

**CADILLAC
8 CYL**

1936-41	---	380154,380871 (205-14B)	S-2 AAV-26	2008
1936	36-60,36-75	A-18202 (205-7)	S-2 EE-25	2041
1937	37-60,65,70,75	A-18352 (205-1)	S-2 AA-25	2008
1938	60,61,65,70,75	A-18672 (205-2)	S-2 AAV-25	2008
1939	60 SPECIAL,61,75	A-18962 (205-3)	S-2 AAV-26	2007
1940	40-60,40-62,40-72,40-75	A-19212 (205-5A)	S-2 AAV-26	2007
1941-42	41-60,41-62,41-67,41-72 60,61,62,67,75	380015 (205-8) (EARLY, 380048 (205-9)(LATE), 380063 (205-10A)	S-2 AAV-26	2008
1941		506S	C-2 WDO	2028
1942-44	M-5,M-8, L.V.T. MARK 3, T-24 MILITARY TANK ,60,61,62,63,65,75	486S,553S,566S,SA,578S,581S,583S	C-2 WCD	2122
1946-48	60,61,62,75	380154 (205-14A),(205-14B), 380871 (205-14B)	S-2 AAV-26	2008
1946-49	ALL MODELS	595S,SA,722S	C-2 WCD	2056
1949	61,62,60 SPECIAL,75, COMMERCIAL	682S	C-2 WCD	2056
1950-51	ALL MODELS	742S,845S	C-2 WCD	2025
1951	ALL MODELS	7004200	R-2 BB	2014
1952-53	ALL MODELS	7004500,7005100,7006215	R-4 4GC	2071
1952-56	ALL MODELS (EXC ELDORADO)	896S,2005S,SA,2072S,2088S,2109S, 2110S,2119S,SA,2143S,2185S,2186S, 2255S,2266S,2267S,2333S,SA,2334S, SA,2354S,2355S,2370S,SA,2543S, 2544S,2545S	C-4 WCFB	2022
1954-55	ALL (EXC ELDORADO)	7006220,7006221,7006962,7006963, 7007970,7007971,7009070,7009071,7015400	R-4 4GC	2059
1955	ELDORADO (2 CARBS)	7007240,7007241,7007942	R-4 4GC	2059
1956	ALL MODELS	7008750,7008751,7009750,7009751, 7009901,7009914	R-4 4GC	2073
1956-57	ELDORADO & ALL (2 CARBS) INSTALLATIONS	2371S,2372S,2373S,2582S,2583S, 2584S,2690S,2691S,2692S	C-4 WCFB	2057
1957-60	ALL MODELS	2479S,2480S,2696S,2697S,2802S, 2814S,2815S,2862S,2863S,2951S,2952S	C-4 AFB	2058
1957-66	390", 429" ENG	7010100,7010101,7012000,7012001, 7012010,7012011,7012811,7012910, 7013030,7013031,7019030,7019031, 7023030,7023031,7024030,7024031, 7025030,7025031,7026030,7026031	R-4 4GC	2024

MAKE YEAR	ENGINE & MODEL	CARBURETOR NUMBER	MFG CODE & MODEL	KIT NO.
--------------	-------------------	----------------------	---------------------	------------

CADILLAC 8 CYL - CONTD

1958	365" ENG, F & R OF TRIPLE CARB POWER PACK	7012201,203,901,903,7015864	R-2 2GC	2078
1958-60	TRIPLE CARB POWER PACK CENTER CARB	7012202,7012205,7012902,7012905, 7013034,7013037	R-2 2GC	2019
1959-60	390" ENG, F & R OF TRIPLE CARB POWER PACK	7013033,035	R-2 2GC	2079
1961-63	390" ENG	3177S,3178S,3351S,3352S,3480S,3481S	C-4 AFB	2058
1964-66	429" ENG	3655S,3656S,3903S,3904S,4168S,4169S	C-4 AFB	2058
1966	429" ENG A.I.R.	4170S,4171S	C-4 AFB	2058

V-16 CYL

1938-40	38-90,39-90,40-90	407S(L) 408S(R)	C-2 WDO	2027
---------	-------------------	-----------------	---------	------

CAMARO

6 CYL

1967	230",250" ENG	7025000,003,7026027,028	R-1 BV	2046
1967-68	230" ENG, (REPL CARB)	R-3975AAS	H-2 1920	2111

8 CYL

1967	327" ENG	7027101,103,110,112,114,116, 7037101,103,110,112	R-2 2G,2GV	2019
1967-68	327",350" ENG HIGH PERF (INCL CANADA)	7027212,213,218,7028212,213, 7037212,213,7037218	R-4 4MV	2063
1967-69	302",396",427" ENG	R-3910A,AAS,R-3911A,AAS,R-4053A,AAS, R-4346A,AAS,R-4815AAS	H-4 4150	2061
1968	307",327" ENG (INCL CANADA)	7028101,103,110,112	R-2 2GV	2019
1968	396",427" ENG HIGH PERF	7028210,211,217,218	R-4 4MV	2062
1968	427" ENG	R-4054A,AAS	H-4 4150	2065
1969	307" ENG	7029101,103,110,112	R-2 2GV	2019
1969	302" ENG (2 CARBS)	R-4295A,AAS	H-4 4150	2065
1969	350" ENG (300 HP)	7029202,203	R-4 4MV	2069
1969	396" ENG, HIGH PERF	7029200,201,204,215	R-4 4MV	2068
1970	302",350" ENG HIGH PERF Z28 396",402",454" ENG	R-4489A,-1A,AAS,R-4489-1AAS,R-4490A, AAS,R-4491A,AAS,-1A,-1AAS,R-4492A,AAS R-4554A,-1A,-1AAS,R-4555A,AAS R-4556A,-1A,-1AAS,R-4557A,AAS	H-4 4150	2061
1970	396" ENG, 325 HP	7040200,201,204,205,500,501,504,505	R-4 4MV	2068
1970-71	350" ENG 300 HP HIGH PERF	7040202,203,213,502,503,513,7041202,203	R-4 4MV	2069
1971	350" ENG HIGH PERF Z28	R-4800A,AAS,R-4801A,AAS	H-4 4150	2061
1971	402" ENG	7041200,201	R-4 4MV	2068
1972	350" ENG HIGH PERF Z28	R-6238A,-1A,R-6239A,-1A	H-4 4150	2061
1972	350" ENG	7042202,203,902,903	R-4 4MV	2067

CHECKER MOTORS

6 CYL

1947-63	CAB CONTINENTAL F/FC 6226 ENG A2,A8,A9A,10A,B2	10510,A,10511,A,10962,A,E,11911, A-C,12138,A,12309,12320,12469, 12500	Z-1 28/228	2088
1952-60	CONT. F,FO,CF6226 ENG	11402,11911,A-C,12138,A,12309,20	Z-1 28/228	2088
1959-62	226" ENG A10 SUPER BA	2858S	C-1 AS	2133
1964-65	230" ENG	3933S,3934S	C-1 YF	2020
1964-66	230" ENG	7024184,7025182,7026083	R-1 B,BV	2046

MAKE YEAR	ENGINE & MODEL	CARBURETOR NUMBER	MFG CODE & MODEL	KIT NO.
--------------	-------------------	----------------------	---------------------	------------

CHECKER MOTORS - CONTD
8 CYL

---	283" ENG	7024183,186	R-2 2GV	2019
1948-50	TRANSIT BUS	380299 (265-3A)	S-2 AAV-2	2007
1965	327" ENG CAB W/GOV	7025185	R-4 4GC	2021
1965	327" ENG VAC GOV	7025089	R-2 2G	2019
1967-68	283",307" ENG	7028184,185,7037080	R-2 2GV	2019
1967-68	327" ENG (LATE 1967)	7027087,7028288,7037083	R-4 4MV	2063
1969	350" ENG	7029202	R-4 4MV	2069
1972	350" ENG	7042210,910	R-4 4MV	2067

CHEVELLE & BEAUMONT
6 CYL

1963-66	194" ENG	7023105,108,7025105,108	R-1 BV	2046
1963-67	230",250" ENG	7023000,003,004,005,7024000, 001,7025000,003,004,005,7026027,028	R-1 BV	2046
1963-67	230" ENG. (REPL CARB)	R-3975A,AAS	H-1 1920	2111

8 CYL

1964-66	283" ENG (REPL CARB)	4078S	C-2 WGD	2040
1964-66	283",327" ENG	7024120,121,122,125,126,220,225,226, 7025126,127,128,7026121,7036118,119, 120,121	R-4 4G,4GC	2021
1964-67	283" ENG	7024101,106,108,110,112,7025103, 7027101,103,7036101,103,110,112, 7037101,103,110,112	R-2 2G,2GV	2019
1965-66	396" ENG (325,360 HP)	R-3139A,-1A,-1AAS,R-3140A,-1A,-1AAS, R-3419A,AAS,R-3420A,R-3267A,AAS, R-3268A,AAS,R-3608A,AAS,R-3609A,AAS	H-4 4160	2060
1965-66	327" ENG (350 HP)	R-3043A,AAS,R-3245A,AAS,R-3607A,AAS	H-4 4150	2061
1965-66	396" ENG (375 & 425 HP) HIGH PERF	R-3130A,AAS,R-3247A,AAS,R-3613A,AAS	H-4 4150	2061
1965-66	396"(425 HP),427"(450 HP)HIGH PERF	R-3246A,AAS,R-3310A,AAS,-1A	H-4 4150,C	2061
1966-67	327" ENG, 325 HP	R-3806A,R-3807A,AAS	H-4 4150	2064
1966	327" ENG HIGH PERF	R-3230A	H-4 4160	2060
1967	396" ENG, 355 HP	R-3836A,AAS,R-3837A,AAS, R-3838A,AAS,R-3839A,AAS	H-4 4160	2064
1967	283",327" ENG	7027110,112,114,116	R-2 2GV	2019
1967-68	327",350" ENG HIGH PERF	7027212,213,218,7028212,213,229 7037212,213,218	R-4 4MV	2063
1968	396",427" ENG HIGH PERF	7028210,211,217,218	R-4 4MV	2062
1968	307",327" ENG	7027101,103,114,116,7028101,103,110,112	R-2 2GV	2019
1968-69	302",396" ENG HIGH PERF	R-4053A,AAS,R-4346A,AAS,	H-4 4150	2061
1969	307" ENG	7029101,103,110,112	R-2 2GV	2019
1969-71	350" ENG 300 HP, HIGH PERF	7029202,203,7041202,203	R-4 4MV	2069
1969	396" ENG, HIGH PERF	7029200,201,204,215	R-4 4MV	2068
1970	350" ENG 300 HP	7040202,203,213,502,503,513	R-4 4MV	2069
1970	396" (375 HP), 454" (450 HP), 402" ENG	R-4491A,-1AAS,R-4492A,AAS,R-4556A, -1AAS,R-4557A,AAS	H-4 4150	2061
1970	396",400",454" ENG 300 HP, 330 HP, SS396,SS454	7040200,201,204,205,500,501,504,505	R-4 4MV	2068
1971	454" ENG HIGH PERF SS	R-4802A,AAS,R-4803A,AAS	H-4 4150	2061
1971-72	402",454" ENG, HIGH PERF	7041200,201,7042215,220	R-4 4MV	2068
1972	350" ENG	7042202,203,7042902,903	R-4 4MV	2067

MAKE YEAR	ENGINE & MODEL	CARBURETOR NUMBER	MFG CODE & MODEL	KIT NO.
--------------	-------------------	----------------------	---------------------	------------

CHEVROLET - CAR 4 CYL

1923-27	SUPERIOR	4S,6S,32S,33S, W/ EXT N&S ASSBY	C-1 BRASS BL	2132
1927	CAPITOL, SUPERIOR	85S (346896),111S WITH INTERNAL N & S	C-1 BRASS BL	2051
1928	NATIONAL	102S (348538) WITH INTERNAL N & S	C-1 BRASS BL	2051

6 CYL

1929	INTERNATIONAL	125S (835849)	C-1 BRASS BL	2053
1929	INTERNATIONAL	136S (836126)	C-1 BRASS BL	2052
1930-31	UNIVERSAL, INDEPENDENCE	150S (836300)	C-1 BRASS BL	2052
1932-34	STANDARD, MASTER	212S,235S,259S,260S,284S	C-1 W-1	2015
1932-36	(REPL CARB)	378S	C-1 W-1	2015
1932-48	(REPL CARB)	10354,10355	Z-1 28	2088
1932-48	ALL MODELS W/REPL CARB	569S	C-1 W-1	2001
1932-48	---	A-19122 (14-17D)	S-1 BXOV-2	2037
		A-19123 (14-16F)	S-1 BXOV-25	2037
		A-19132 (14-16G)	S-1 BXOV-25	2037
1932-56	216",235" ENG	7001374,7002050,7003060,7003152, 7003160,7003526,7003865,7003986, 7004475,7004477,7004478,7004495, 7004620,7004915,7005060,7005921, 7005922,7005982,7007172,7007180, 7007181,7009253,7009254,7009255	R-1 B,BC	2018
1932-62	ALL MODELS (REPL CARB)	756S,SA,787S,SA,SB,788S,SA,789S, SA,964S,965S,966S,967S,2008S,2046S, 2100S,2101S,3211S	C-1 YF	2020
1935-40	MASTER & DELUXE, FLEET ECONOMY	284S,321S,319S,334S,335S,346S, 358S,391S,420S,434S	C-1 W-1	2015
1937-41	(REPL CARB)	382S	C-1 W-1	2015
1941-48	FLEET ECONOMY MODEL MASTER & MASTER DeLUXE	483S,492S,574S,616S	C-1 W-1	2001
1941-49	ALL MODELS W/REPL CARB	730S	C-1 WE	2002
1941-52	---	684S	C-1 W1	2036
1946-52	---	380269 (14-22)	S-1 BXOV-2	2037
		380270 (14-23)	S-1 BXOV-25	2037
1950-53	ALL MODELS WITH POWER GLIDE	380295 (14-25)	S-1 BXVD-35	2037
		380286 (14-24)	S-1 BXVD-3	2037
1953-57	---	380419 (14-27),380924 (14-29)	S-1 BXV-35	2037
1957-62	(INCL CANADA)	7009656,657,7009784,7011102,656,657, 7012127,129,502,7013000,003,005,596, 955,7019000,7020000,003,005,106,107	R-1 B,BC	2046
1963-66	230" ENG	7023000,003,004,005,7025000,003,004,005	R-1 BV	2046
1963-67	230",250" ENG (REPL CARB)	R-3975AAS	H-1 1920	2111
1964-65	230" ENG	3770S,3771S	C-1 YF	2020
1966-67	250" ENG	7026027,028	R-1 B,BV	2046

8 CYL - CAR

1955-58	265" 283" ENG	14-26,14-28	S-2 WW	2100
1955-61	265",283" ENG	2286S,3081S	C-2 WGD	2040
1955-61	265",283", 348"(C) ENG (INCL TRIPLE CARB POWER PACK, CANADA)	7005810,7006825,7008004,7008005, 7008387,7008388,7009345,7010647, 7010648,7010719,7010750,7011131, 7011149,7011224,7011460,7011952, 7012503,7013016,7013020,7013026, 7013974	R-2 2G,2GC	2019

MAKE YEAR	ENGINE & MODEL	CARBURETOR NUMBER	MFG CODE & MODEL	KIT NO.
CHEVROLET CAR 8 CYL - CONTD				
1955-61	265", 283" ENG (2 CARBS, INCL CORVETTE)	2218S,2351S,2362S,2419S,2613S, 2614S,2626S,2627S,3181S,3182S, 3769S	C-4 WCFB	2022
1956-57	265",283" ENG	2366S,SA,2505S,SA,2555S,2655S	C-4 WCFB	2022
1956-61	283" ENG	7008737,7009846,7012126,128,7013004 010,7015004,010,7019004,010,014	R-4 4G,4GC	2021
1958-61	283" 348" ENG, F & R OF TRIPLE CARB POWER PACK	7011951,953,7012851,853,7013015, 017,973,975	R-2 2GC	2078
1958-61	348" ENG	7011108,7013006,012,7015006,012, 7019006	R-4 4GC	2021
1958-61	283",348"(C) TRIPLE CARB POWER PACK	7011952,7012503,7013016,020,026, 974	R-2 2GC	2019
1958-62	283",327" ENG (INCL CANADA)	7012133,451,452,500,7013007,008,018, 7013082,652,7019007,008,018,7020007, 008,018	R-2 2G,2GV	2019
1958-65	327",348" ENG, TURBO THRUST, CORVETTE, 409" ENG (2 CARBS) HI PERF	2859S,2897S,3012S,3221S,3269S, 3270S,3310S,3345S,3361S (FRONT), 3362S (REAR),3460S,3461S,3499S, 3593S,3720S,SA,SB,3721S,SA,SB,3783S, 3804S (REAR),3963S	C-4 AFB	2029
1958-65	283", 327",ENG (250 HP) POLICE SPEC 348" ENG (INCL CANADA, CORVETTE)	2656S,2657S,2669S,2816S,2817S,2818S, 3059S,3060S,3061S,3190S,3191S,3500S, 3501S,3575S,3696S,3697S,3849S	C-4 WCFB	2004
1959-66	283" ENG (REPL CARB)	3566S,3714S,4078S	C-2 WGD	2040
1961-68	283",307", 327" ENG (INCL CANADA)	7019007,008,018,7020007,008,018, 7023007,008,018,7024100,101,102,106 108,110,112,7025103,7027101,103,110 112,114,116,7028101,103,110,112, 7036101,103,110,112,7037101,103,110, 112	R-2 2G,2GV	2019
1962	327" ENG	7020006,012,022	R-4 4GC	2021
1963-65	327" ENG	7023006,012,7024121,122,220,226, 7025121,122,	R-4 4GC	2021
1963-65	409" ENG	7020023,024,7024123,124,127,128 7025123,124	R-4 4GC	2042
1964-65	327" ENG (INCL CORVETTE)	3696S,3697S	C-4 WCFB	2004
1965	283" 327" ENG (2 CARBS)	R-1849A,AAS	H-4 4160	2060
1965-66	327" (275 HP),396",427" ENG	R-3139A,-1A,-1AAS,R-3140A,-1A,-1AAS, R-3230A,AAS,R-3267A,AAS,R-3268A,AAS, R-3367A,AAS,,R-3370A,R-3419A,AAS, R-3420A,R-3605A,AAS,R-3606A,AAS, R-3608A,AAS,R-3609A,AAS	H-4 4160C	2060
1965-66	283" 327" ENG	7025126,127,128,7026121,7036118,119 120,121	R-4 4GC	2021
1965-66	396" ENG (325 HP)	R-3139A,-1A,R-3140A,-1A	H-4 4160	2060
1965-66	396",427" ENG (450 HP)	R-3130A,AAS,R-3246A,AAS	H-4 4150	2061
1967-68	327",350",396",427" ENG, HIGH PERF (INCL CANADA)	7027210,211,212,213,216,218,7028207,208,212 213,219,229,7037210,211,212,213,216,218	R-4 4MV	2063
1968	396",427" ENG, HIGH PERF (INCL CANADA)	7028210,211	R-4 4MV	2062
1968-69	302",396",427" ENG	R-4053A,AAS,R-4346A,AAS	H-4 4150	2061
1969	350" ENG (300,325 HP)	7029202,203,207	R-4 4MV	2069
1969	283",327",350",396",409",427" ENG, INCL (2 CARBS,) HIGH PERF	R-4223A,AAS	H-4 4150	2065
1969	427" ENG HIGH PERF	7029200,201	R-4 4MV	2068
1970	402",454" ENG	R-4491A,-1A,-1AAS,R-4492A,AAS, R-4556A,-1A,-1AAS,R-4557A,AAS	H-4 4150	2061
1970	350" ENG	7040202,203,213,502,503,513,7040502,503	R-4 4MV	2069

MAKE YEAR	ENGINE & MODEL	CARBURETOR NUMBER	MFG CODE & MODEL	KIT NO.
--------------	-------------------	----------------------	---------------------	------------

CHEVROLET CAR 8 CYL - CONTD

1970-71	400",402",454" ENG	7040200,201,204,205,221,500,501,504,505,521	R-4 4MV	2068
1971	402",454" ENG (INCL MONTE CARLO)	7041200,201	R-4 4MV	2068
1971	350" ENG (INCL MONTE CARLO)	7041202,203	R-4 4MV	2069
1972	402",454" ENG (INCL MONTE CARLO)	7042220,215	R-4 4MV	2068
1972	350" ENG (INCL MONTE CARLO)	7042202,203,7042902,903	R-4 4MV	2067

4 CYL - TRUCK

1923-27	SUPERIOR	4S,6S,32S,33S, W / EXT N&S	C-1 BRASS BL	2132
1927	SUPERIOR	85S (346896) WITH INTERNAL N & S	C-1 BRASS BL	2051
1927	CAPITOL	111S WITH INTERNAL N & S	C-1 BRASS BL	2051
1928	NATIONAL	102S (348538) WITH INTERNAL N & S	C-1 BRASS BL	2051
1964-66	VAN 153" ENG G-10	3379S,SA,3402S,SA	C-1 YF	2020

6 CYL - TRUCK

1929	INTERNATIONAL	125S (835849)	C-1 BRASS BL	2053
1929	INTERNATIONAL	136S (836126)	C-1 BRASS BL	2052
1930-31	UNIVERSAL INDEPENDENCE	150S (836300)	C-1 BRASS BL	2052
1932-34		222S,SA,285S	C-1 W-1	2015
1932-48	ALL MODELS W/REPL CARB	569S	C-1 W-1	2001
1932-48	REPL CARB	10354,10355	Z-1 28	2088
1932-62	216",235",261" ENG (INCL REPL CARBS)	7001374,7002050,7002051,7003152, 7003863,7003864,7004468,7004475, 7004476,7005140,7013029,7013953, 7015011,7015013,7015021	R-1 B	2018
1937-40	MASTER & DeLUXE, FLEET ECONO	420S,434S	C-1 W-1	2015
1937-62	216",235" ENG. (REPL CARB)	788S,SA,789S,SA,964S,965S,966S 967S,2100S,2101S,3211S	C-1 YF	2020
1939-40	CAB-OVER	447S	C-1 BB	2050
1940-43	MILITARY 216" ENG	518SA	C-1 W-1	2015
1941	AG1508-AK3103,3104,3105,3107, 3116,AL3604,3605-YR4103,4104, 4105,4107,4112-YS4409 U.S. ARMY	483S	C-1 W-1	2001
1941-42	YP,YQ,GA112,7105,7106,7107, 7113,7116,7117,7127 U.S. ARMY	515S	C-1 W-1	2001
1941-48	ALL MODELS GOV/MILITARY	570S,574S,585S,SA,589S	C-1 W-1	2001
1941-49	CAB-OVER, FORWARD CONTROL DELIVERY	489S,517S,699S	C-1 BB UPDFT	2050
1941-52	---	684S	C-1 W1	2036
1946-53	216" ENG	380269 (14-22) 380270 (14-23)	S-1 BXOV-2	2037
1950-56	235" ENG R-1,B,BC	380286 (14-24),380419 (14-27)	S-1 BXVD-3	2037
1950-62	CAB-OVER, FORWARD CONTROL DELIVERY 3700,3900,5000	745S,871S,SA,SB,SC,2075S,2987S	C-1 BB1 UPDFT	2050
1963-67	230",292" ENG 1/2 TO 1 1/2 TON	7023011,013,017,021,7024009,7026017	R-1 B	2046
1963-67	292" ENG	7027009,7036009,7037009	R-1 B,BC	2046
1964-66	VAN 194" ENG G-10	3821S,SA,SB,4044S,4145S	C-1 YF	2020
1965-66	230" ENG G-10 SUBURBAN	3975S,3976S,4043S,4044S,4145S	C-1 YF	2020
1966-67	194", 250 ENG	7026011,019,029,7027011,029	R-1 B,BV	2046

8 CYL - TRUCK

1955-67	265",283" ENG	4479S	C-2 WGD	2040
1955-68	265",283",322",327",348" ENG	7006770,7007171,7008383,7008389, 7008393,7008394,7008399,7008706, 7010649,7010716,7010717,7010718, 7011132,7011135,7011143,7011155,		

MAKE YEAR	ENGINE & MODEL	CARBURETOR NUMBER	MFG CODE & MODEL	KIT NO.
CHEVROLET TRUCK 8 CYL - CONTD				
		7012147,7012233,7012457,7013013, 7013353,7015017,7015019,7020109, 7023027	R-2 2G,2GC	2019
1957	322" W/VAC GOV	7009662,7011162,7015772	R-4 4GC	2073
1957-67	283",327",348",409" ENG	7009661,7011161,7011487,7012145, 7012303,7013021,7013023,7013025, 7015025,7020025,7020029,7025125, 7027125,7036125,7037125	R-4 4G	2021
1958-67	283",327" ENG (INCL CANADA)	7012035,047,453,455,7013009,011,7015015 7023009,010,022,7027100,105,106,7036100, 105,7037100,105	R-2 2G,2GC	2019
1966-67	366" ENG VAC GOV	7026113	R-2 2G	2110
1968	396" ENG, 1/2,3/4 TON (INCL CANADA)	7028217	R-4 4MV	2062
1968	327" ENG (INCL CANADA)	7028213	R-4 4MV	2063
1968	427" ENG	17054916	R-4 4MV	2068
1968-69	307" ENG (INCL CANADA) 1/2,3/4 TON	7028100,105,106,107,111,125,127, 7029105,107,108,125	R-2 2G	2019
1969-70	350" ENG, CANADA 10-35 SERIES	7029223,224,7040208,511	R-4 4MV	2069
1970-72	350",396",400",402",454 ENG (INCL CANADA)	7040206,509,7041206,208,209,211,7042208, 210,211,218,219,910,911,17054917,918	R-4 4MV	2068
1972	350" ENG	7042208,210,211,910,911	R-4 4MV	2067

CHEVY II / NOVA / ACADIAN 4 CYL

1962	153" ENG	7020103,104,114,115	R-1 B,BC	2046
1962-66	153" ENG	3379S.SA,3402S.SA	C-1 YF	2020

6 CYL

1962	194" ENG	7020105,108	R-1 B,BC	2046
1963-67	194" ENG	7023105,108,7025105,108	R-1 BV	2046
1963-67	230" ENG REPL CARB	R-3975A,AAS	H-1 1920	2111
1964-66	230" ENG	7024000,001,7025000,003,004,005	R-1 B,BV	2046
1967	250" ENG	7026027,028	R-1 BV	2046

8 CYL

1964-66	283" ENG	4078S	C-2 WGD	2040
1964-66	283" ENG	7024122,125,126,220,225,226,7025126 127,128,7026121,7036118,119,120,121	R-4 4GC	2021
1964-67	283" ENG	7024100,101,102,106,108,110,112, 7025103,7027101,103,110,112,114,116, 7036101,103,110,112,7037101,103,110, 112	R-2 2GV	2019
1965-66	327" ENG	7025126,127,128,7026121	R-4 4GC	2021
1966	327" ENG	R-3230A	H-4 4160	2060
1966	327" ENG (350 HP) HIGH PERF	R-3607A,AAS	H-4 4150	2061
1967-68	327" 350" ENG HIGH PERF.	7027212,213,218,7037212,213,218 7028212,213,229,	R-4 4MV	2063
1968	307",327" ENG	7028101,103,110,112	R-4 4MV	2063
1968	302",396" ENG HIGH PERF	R-4053A,AAS	R-2 2GV	2019
1969	307" ENG	7029101,103,110,112	H-4 4150,4160	2061
1969	396" ENG HIGH PERF	7029201,204	R-2 2GV	2019
1969	350" ENG (300 HP)	7029202,203	R-4 4MV	2068
1970	396" ENG	7040204,205,504,505	R-4 4MV	2069
1970	SS350" ENG (300 HP) HIGH PERF	7040202,203,502,503	R-4 4MV	2068
1971	350" ENG, HIGH PERF	7041202,203	R-4 4MV	2069

MAKE YEAR	ENGINE & MODEL	CARBURETOR NUMBER	MFG CODE & MODEL	KIT NO.
CHRYSLER				
6 CYL				
1928	---	107S,112S,119S	C-1 BRASS BL	2051
1928	52	126S	C-1 BRASS BL	2053
1930	CJ	153S,159S	C-1 BRASS BL	2052
1932	C1	6A1,6B1,6B2	C-1 BB UPDFT	2050
1933	CO	A-17153 (4-9)	S-1 EX-32	2119
1934-35	CA,CB,C6 AIRSTREAM	E6C1,E6F1,E6F2	C-1 BB	2120
1934-39	---	E6P5	C-1 BB	2016
1936-37	C7,C16	E6G1,E6H1,E6I1	C-1 BB	2121
1937-38	C16,C18	E6K1,K2,K3,K4,E6M1	C-1 BB	2095
1939	C22	E6N1,E6N2,E6N3	C-1 BB	2016
1939-40	ALL MODELS	380235 (4-92)	S-1 BXUV-35	2037
1940-41	C25,C28	E6S1,E6S2,E6T2,E6U2R,E6W1,E6W1R,EA1	C-1 BB	2016
1941	---	E6U1,2	C-1 BB,BBR1	2016
1941	---	628S,629S	C-1 BBR2	2016
1941-50	---	380277 (4-117),380280 (4-119)	S-1 BXVES-3	2037
1942	C34	EG1,EG2,EE1,EF1	C-1 BB	2016
1946-54	C-38,C-45,1,C-48,1,C-51,C-60 C-62 (INCL CANADA)	E7L1,2,3,4,E9A1,E9B1,E9C,I,EU1,2 EV1,2,EX1,1R,2,2R,3,3R	C-1 BB,BBR1	2016
1951-53	---	380349 (4-123)	S-1 BXVES-35	2037
1951-54	---	380359 (4-124)	S-1 BXVD-35	2003

8 CYL

1933-34	CQ,CT,CU	A-17153 (4-9),A-17183 (4-11),A-17733 (4-43)	S-1 EX-32	2119
1934	CU,CV	A-17732 (4-1)	S-2 EE-22	2041
1935-36	C1,C8,C9,CZ	A-17723 (4-4),A-17863 (4-5)	S-1 EX-32	2119
1935-36	C8,C9,CZ	A-17763 (4-21),A-18263 (4-53)	S-1 EXV-3	2119
1935-36	C-2,C-3,C-11	A-17992 (4-6),A-18002 (4-7),A-18262 (4-51A)	S-2 EE-22	2041
1936-37	C-8,C-9,C-10,C-14,C-17	A-18232 (4-50),A-18242 (4-49B)	S-2 EE-22	2041
1937	C-14	373S	C-2 WDO	2055
1937	C-14,C-15	A-18431 (4-71D),A-18441 (4-72B)	S-2 AAOV-1	2008
1938	C-19	A-18782 (4-76D)	S-2 AAV-2	2008
1938-42	C-20,-23,-24,-26,-27,-30,-31,-36,-37	A-18792 (4-77D),380041 (4-103A),(4-109)	S-2 AAV-2	2008
1946-47	C-39,C-40, NEW YORKER,SARATOGA, CROWN IMPERIAL	380165 (4-111),380169 (4-112)	S-2 AAVS-2	2008
1946-48	C39,C39C,C39K,C39N,C39T,C40	E7A1	C-1 BB	2016
1949-50	C-46,C-49,C-50	E7J1,E7J2,E7J3,E7J4	C-1 BB	2091
1951-54	C-52,-53,-54,-55,-56, -58,-59,-63-1 IMPERIAL, NEW YORKER,SARATOGA	830S,SA,SB,931S,SA,SB,SC,935S,SA 2039S,SA	C-2 WCD	2112
1954	C-63-2,C-64,C-66	2041S	C-4 WCFB	2022
1955	C-67	2162S,SA,SB,2180S,SA,SB	C-2 BBD	2031
1955-56	C-68,C-69,C-70,C-300,C-72-300	2126S,2317S	C-4 WCFB	2022
1955-56	ALL WINDSOR MODELS	4-126,4-127	S-2 VV	2100
1955-56	(2 CARBS)	2444S,2445S	C-4 WCFB	2022
1956	CANADA C-71	2307S,SA,SB	C-4 WCFB	2022
1956-57	C-70,71,72,73,75-2,76,1M1,2,3,	2314S,SA,2367S,SA,2589S,2590S	C-4 WCFB	2022
1956	C-71	2312S,2313S	C-2 BBD	2034
1957	C300C (2 CARBS)	2534S(F),2535S(R)	C-4 WCFB	2022
1957	C-75-1 (INCL CANADA)	2621S	C-2 BBD	2032
1957	ALL WINDSOR MODELS	4-128	S-2 VV	2099
1957-58	C-75-1,LC1	2527S,2733S	C-2 BBD	2034
1957-58	354" ENG IMPERIAL 392" ENG	2448S,2650S,2651S,2686S,2805S,2806S,2836S	C-4 AFB	2083
1958	LC3 "C3000", 392" ENG (2 CARB)	2741S(F),2742S(R)	C-4 WCFB	2082
1958	LC1 WINDSOR	2685S	C-2 BBD	2032
1959	413" ENG (2 CARBS)	2798S,2799S	C-4 AFB	2081
1959-60	IMPERIAL 413" ENG	2797S,2927S	C-4 AFB	2083

MAKE YEAR	ENGINE & MODEL	CARBURETOR NUMBER	MFG CODE & MODEL	KIT NO.
CHRYSLER 8 CYL - CONTD				
1959-64	HIGH PERF 383", 413" ENG (CANADA)	2794S,2950S,3107S,3255S	C-4 AFB	2083
1959-65	318",413" ENG	2797S,2927S,3108S,3134S, 3251S,3256S,SA,3615S,4200S	C-4 AFB	2083
1960	PC-300 RAM INDUCTION, 413" ENG (2 CARBS)	2903S	C-4 AFB	2058
1960-61	IMPERIAL 383" - 413" ENG (CANADA)	2927S,3108S,3134S	C-4 AFB	2083
1962	413" ENG (2 CARBS)	3258S,3259S	C-4 AFB	2081
1962-64	HIGH PERF POLICE SPEC, 383" 413" ENG	3374S,3375S,3478S,SA,3614S,4200S	C-4 AFB	2083
1963	383" ENG HI PERF (2 CARBS)	3258S,3259S	C-4 AFB	2081
1963-64	413" ENG, RAM INDUCTION (2 CARBS)	3505S	C-4 AFB	2048
1964-65	IMPERIAL 413" ENG	3644S,3871S	C-4 AFB	2083
1965	HIGH PERF (CANADA), 318",413" 426" ENG	3855S,3856S,3858S,3859S,SA,3860S,SA	C-4 AFB	2083
1966	HIGH PERF (2 CARBS) 426" ENG HIGH PERF NEWPORT, IMPERIAL 440" ENG	4139S,4140S 4131S	C-4 AFB C-4 AFB	2083 2083
	HIGH PERF 383", 440" ENG (CANADA)	4130S,4131S	C-4 AFB	2083
1966-67	383" ENG HI PERF	4133S,4310S,4318S	C-4 AFB	2029
1966-67	HIGH PERF, NEWPORT, 383" ENG (CANADA)	4130S,4132S,4298S,4299S,4309S	C-4 AFB	2083
	440" ENG IMPERIAL	4137S,4312S	C-4 AFB	2083
	440" ENG HIGH PERF (CANADA)	4136S,4137S,4311S,4312S, 4326S,4327S,4328S,4329S	C-4 AFB	2083
1969	427" ENG, HI PERF	7029200,201	R-4 4MV	2068
1970	383" ENG	R-4375-1A,-1AAS	H-2 2300	2066

**COMET
6 CYL**

1960-61	144",170" ENG	3317S,3318S,3347S,3348S	C-1 AS	2096
1963-67	170",200" ENG	4555SA,SB,4556SA,SB	C-1 RBS	3010

8 CYL

1963-64	260" ENG	R-1929-1AAS	H-2 2300	1017
1963-64	260" ENG	C30F-9510-E,F,C40F-A,B,K,L,AE,AK,AM,AS	F-2 2100	1020
1963-65	289" ENG (3 CARBS)	R-2867A,AAS,R-2868A,AAS,R-2881A, AAS,R-2882A,AAS	H-2 2300	1017
1963-67	260",289",390" ENG (REPL CARB)	3944S,4557S	C-2 ABD	1019
1964	260" ENG (CANADA)	C40F-9510-D,U,AG	F-2 2100	1020
	289" ENG (CANADA)	C4AF-9510-DJ,C4GF,F,Y	F-4 4100	1021
1964-65	289" ENG	C30F-9510-AJ,C4GF-E,AA,AB,AE,AF, C40F-AL,C50F-J,C5ZF-C,D,E,F,J,K, L,M,C6PF-H,C6ZF-A,C	F-4 4100	1021
1965-68	289" ENG	R-3485A,AAS,R-4643AAA,-1AAA,-1AAS	H-2 2300	1017
1965-68	289" ENG	C5ZF-9510-A,B,G,H,C60F-A,E,F, C60F-B,C,K,L,AH,C6PF-F,C70F-E,F,G, H,N,R,S,V,C70F-J,K,L,M,U,AF,AK, C8AR-L,M,AK,AZ,C80F-J,K,U,AF,C8PF-U T,C8ZF G	F-2 2100	1020
1966	390" ENG	C60F-9510-D,E,H,J,C6SF-A	F-4 4100	1021
1966	390" ENG, HIGH PERF GT	R-3530A,AAS,R-3557A,AAS,R-4742AAA	H-4 4150,4160	2061
1966-68	390" ENG	R-3487A,AAS,R-4439AAS	H-2 2300	1017
1966-68	390" ENG	C60F-9510-B,C,K,L,AH,C70F-J,K,L,M, U,AF,AK,C8AF-M,AZ,C80F-J,K,U,AF, C8PF-U	F-2 2100	1020
1968	289",302",390" ENG	R-4446AAS,R-4643AAA,-1AAA,R-4643-1AAS	H-2 2300	1017

MAKE YEAR	ENGINE & MODEL	CARBURETOR NUMBER	MFG CODE & MODEL	KIT NO.
COMET 8 CYL - CONTD				
1968	289" ENG (CANADA)	C8AF-9510-AF,C8OF-E,F,C8OF-S, C8ZF-E,H	F-2 2100	1020
	390" ENG (CANADA)	C8AF-9510-AH,C8OF-N,R,T	F-2 2100	1020
1968-69	302" ENG (CANADA)	C8AF-9510-R,S,AF,C8OF-L,M,S	F-2 2100	1020
	390" ENG (CANADA)	C8AF-9510-T	F-2 2100	1020
1968-70	302" ENG	R-4643AAA,-1AAA,-1AAS	H-2 2300	1017
1968-71	302"ENG	C8AF-9510-L,AK,BD,C8OF-H,C8PF-T C8ZF-G,C9ZF-C,D,F,G,U,DOAF-C,D,U, D1AF-DA,D1OF-ABA	F-2 2100	1020
1969	351" ENG	R-4643AAA,-1AAA,-1AAS	H-2 2300	1017
	302",351" ENG	C9AF-9510-A,J,Z,T,D0AF-D	F-2 2100	1020
1969-70	351" ENG	C9OF-9510-C,C9ZF-A,D0OF-J,K,L,M,T, U,V,D0ZF-A,B,L,D1ZF-SA	F-2 2100	1020
1970-71	302",351" CLEVELAND ENG	R-6294AAA,-1AAA,R-6433AAA	H-2 2300	1017
1971	302" ENG	D1AF-9510-ZA,D1OF-AGA,D1ZF-AA,ADA	F-2 2100	1020
1972	HIGH PERF 302" ENG	D2AF-9510-HA,D2GF-AA,BA,D2OF-KA, D2PF-GA,D2ZF-FA	F-2 2100	1020
	302" ENG	D2AF-9510-HB,HC,D2GF-AB,AC,BB,BC D2OF-KB,VA,D2PF-GB,D2ZF-FB,MA,MB	F-2 2100	1020
	351" ENG	D2AF-9510-FB,FC,GB,GC,D2PF-GA	F-2 2100	1020
1973	302" ENG	D3AF-9510-ABA,D3DE-AA-EA,D3GF,-AD,AF,AE, BA,BB,BC,D3OF-AD,EA,FA,JA,D3PF-EA,EB, D3ZA-EA,D3ZF-EB,GA,NA,NB,D4PE-9510-CFA	F-2 2100	1020
1973-74	302" ENG	D4PE-9510-CGA	F-2 2100	1020
1974	302" ENG	D4DE-9510-PA,RB,UA,VA,D4OF-AA,BA D4OF-GA,JA,D4PF-YC,D4PE-GA,YA	F-2 2100	1020
	302" ENG WOT/E	D4PE-9510-GB	F-2 2100	1020
CORD 8 CYL				
1936-37	810	A-18101 (102-2A)	S-2 EE-15	2039
1937	812 SUPERCHARGED	A-18492 (102-4A)	S-2 AA-25	2008
CORVAIR 6 CYL				
1960-69	164" ENG (2 CARBS) (INCL CANADA)	7015310,311,319,7019100,101,107, 110,111,117,7020100,101,7023100, 101,102,7024023,024,025,7025023, 024,025,226,227,7026023,024,026, 7027026,7028005,7036014,015,023 024,	R-1 H,HV	2044
1962	SPYDER TURBO-CHARGED	3311S.SA	C-1 YH	2030
1963	SPYDER TURBO-CHARGED	3569S,3586S.SA	C-1 YH	2030
1964	SPYDER TURBO-CHARGED	3692S.SA	C-1 YH	2030
1964-65	CORVAN	7024025,7025025	R-1 H,HV	2044
1965	CORSA TURBO-CHARGED	3902S,4020S	C-1 YH	2030
1965-66	CORSA TURBO-CHARGED	4141S.SA	C-1 YH	2030
CORVETTE 6 CYL				
1953-55	235" (150/155 HP) (3X1 CARBS)	2066S.SA	C-1 YH	2030

MAKE YEAR	ENGINE & MODEL	CARBURETOR NUMBER	MFG CODE & MODEL	KIT NO.
1955	265" (195 HP)	2218S,2351S,3769S	C-4 WCFB	2022
1956-57	265",283" (210/220 HP)	2366S,SA,2505S,SA,2555S,2655S	C-4 WCFB	2022
1956-61	265",283" (225/245/ 270 HP) (2X4 CARBS)	2362S,2419S,2613S,2614S, 2626S,2627S,3181S,3182S	C-4 WCFB	2022
1958-61	283" (230 HP)	2656S,2657S,2669S,2816S, 2817S,2818S,3059S,3060S,3061S	C-4 WCFB	2004
1962-65	327" (250 HP)	3190S,3191S,3500S,3501S, 3696S,3697S	C-4 WCFB	2004
	327" (300/340 HP)	3269S,3310S,3460S,3461S, 3720S,3721S,3963S	C-4 AFB	2029
1964-65	27" ENG (365 HP)	R-2818A,AAS,-1A,-1AAS	H-4 4150	2061
1965-66	427" (425 HP)	R-3124A,AAS,R-3130A,AAS,R-3246A,AAS, R-3247A,AAS,R-3613A,AAS	H-4 4150	2061
1966	327" (300/350 HP)	R-3605A,AAS	H-4 4160	2060
	327",427" (300/350/390 HP)	R-3367A,AAS,R-3370A,AAS,R-3605A,AAS	H-4 4160	2060
	427" (390 HP)	R-3606A,AAS	H-4 4160	2060
1966-67	427" ENG (390 HP)	R-3418A,-1A,-1AAS	H-4 4150	2065
1967-69	327" (300/350 HP)	R-3810A,AAS,R-3814A,AAS	H-4 4160C	2064
	427" (390 HP)	R-3811A,AAS,R-3815A,AAS	H-4 4160C	2064
	427" (400/435 HP) (3X2 CARBS)	R-3659A,AAS (FRONT & REAR),R-3660A, AAS,R-3888A,AAS (CENTER),R-4055A, -1A,-1AAS,R-4056A,-1A,-1AAS (CENTER)	H-2 2300	2066
1968	327" (300/350 HP) HIGH PERF (INCL CANADA)	7028207,7028208,7028219	R-4 4MV	2063
	427" (425 HP)	R-4054A,A,AAS	H-4 4150	2065
	427" (385 HP)	7028209,7028216	R-4 4MV	2062
1968-69	427" (400/435 HP) (3X2 CARBS)	R-3659A,AAS (FRONT & REAR),R-4055A, -1A,-1AAS,R-4056A,-1A,-1AAS (CENTER)	H-2 2300	2066
1969	350" ENG, (300/350 HP)	7029202,203,207	R-4 4MV	2069
1969	350" ENG, HIGH PERF, (325 HP)	7029207	R-4 4MV	2069
1969	427" ENG (390 HP)	7029204,7029215	R-4 4MV	2068
	427" ENG (425 HP)	R-4296A,AAS	H-4 4150	2065
1970	350" ENG (370 HP)	R-4490A,AAS,R-4554A,-1A,-1AAS	H-4 4150	2061
1970	350" ENG (300/350 HP)	7040202,203,207,213,7040502,503, 507,7040513	R-4 4MV	2069
	350" ENG (370 HP)	R-4346A,AAS,R-4489A,-1A,1AAS, R-4555A,AAS	H-4 4150	2061
	454" ENG (390 HP)	7040204,205,504,505	R-4 4MV	2068
	454" ENG (465 HP)	R-4493A,-1A,AAS,-1AAS,R-4558A,-1A R-4559A,AAS	H-4 4150	2065
1971	350" ENG (270 HP) HIGH PERF	7041212,213	R-4 4MV	2069
	350" ENG (330 HP)	R-4800A,AAS,R-4801A,AAS	H-4 4150	2061
	454" ENG (365 HP)	7041204,205	R-4 4MV	2068
	454" ENG (425 HP)	R-4802A,AAS,R-4803A,AAS,1A	H-4 4150	2061
1972	350" ENG (270 HP)	7042202,203,902,903	R-4 4MV	2067
	350" ENG (330 HP)	R-6239A	H-4 4150	2061
	454" ENG (365 HP)	7042216,217	R-4 4MV	2068

COUGAR 8 CYL

1966-67	289" ENG	C6DF-9510-B	F-2 2100	1020
1966-68	289" ENG	C7DF-9510-E,F,G,H,N,R,S,V,C8AF-L, C8PF-T	F-2 2100	1020
1967	289" ENG	4557S	C-2 ABD	1019
1967-68	289",302" ENG	R-3485A,AAS,R-4446AAS	H-2 2300	1017
1967-68	289",302",390" ENG	R-4643AAA,-1AAA,-1AAS	H-2 2300	1017

MAKE YEAR	ENGINE & CODE	CARBURETOR NUMBER	MFG CODE & CODE	KIT NO.
--------------	------------------	----------------------	--------------------	------------

COUGAR 8 CYL - CONTD

1967-69	390" ENG	R-4742AAA	H-4 4150C	2061
1968	289" ENG	C8AF-9510-AF,C8DF-E,F,C8OF,S, C8ZF-E,H	F-2 2100	1020
	302" ENG	C8AF-9510-L,AK,C8OF-H,C8ZF-G	F-2 2100	1020
	390" ENG	C8AF-9510-M,C8OF-J,K,U,C8WF-A	F-2 2100	1020
1968	390" ENG	R-4439A,AAS	H-2 2300	1017
1968-69	302" ENG (CANADA)	C8AF-9510-R,S,AF,C8OF-L,M,S	F-2 2100	1020
1969	351" ENG	C9AF-9510-J,Z	F-2 2100	1020
1969	429" ENG HIGH PERF SPECIAL	R-4456AAS	H-4 4150	2061
1969-70	351" ENG	R-4643AAA,-1AAA,-1AAS	H-2 2300	1017
1969-71	351" ENG	C9ZF-9510-A,B,D0AF-E,F,V,D1MF-KA, D1OF-PA,RA,ZA,D1ZF-SA,VA	F-2 2100	1020
1971	351" CLEVELAND ENG	R-6294AAA,-1AAA	H-2 2300	1017
1971	302" ENG	D1AF-9510-ZA,D1OF-AGA,D1ZF-AA,ADA	F-2 2100	1020
	302" ENG	D1AF-DA,D1OF-ABA	F-2 2100	1020
	351" ENG	D1MF-LA,D1OF-AHA,AJA,D1ZF-ACA,AEA	F-2 2100	1020
1972	351" ENG	D2OF-JA,PA,RA,UA,UB,D2PF-HA, D2WF-CA,D2ZF-EA,KA,LA	F-2 2100	1020
	351" C & W ENG	D2AF-FD,GD,D2MF-CB,D2OF-UC, D2PF-GB,HB,D2WF-CB,D2ZF-LB,LC	F-2 2100	1020
1973	351" C ENG	D3AF-9510-CE,DB,DC,D3PF-FA,FB, D3WF-AC	F-2 2100	1020
	351" ENG	D3AF-JA,KA,NA,PA,RA,RB,UB,XA D3WF-CA,D3ZF-FA	F-2 2100	1020
1973	400" ENG	D3MF-GA	F-2 2100	1020
1974	351" C ENG	D4AE-9510-CA,D4AF-EA,D4OF-BA,CA,DA, D4PE-VA	F-2 2100	1020
	351" W ENG	D4AE-DA,EA,D4AF-DA,D4OF-AA	F-2 2100	1020
	351" ENG	D4OE-FA,D4PE-HA	F-2 2100	1020
	351", 400" ENG	D4PE-HB	F-2 2100	1020
	400" ENG	D4AE-GA,HB,D4ME-BA,CA,D4MF-BA,CA, D4PE-HA,VB	F-2 2100	1020

CROSLEY 4 CYL

1946-52	PASSENGER CAR	870S	C-1 WO	2012
---------	---------------	------	--------	------

DART 8 CYL

1960-62	318" ENG (REPL CARB)	2896S	C-2 BBD	2031
1960-62	318" ENG	2991S,3101S,3103S,3131S,3247S,3249S	C-4 AFB	2083
1960-62	318" ENG PD4,RD4	15-41,A,15-42,15-43,15-44,15-45	S-2 VWV	2101
1962	361" ENG	3252S,3253S,3257S	C-4 AFB	2083
1965	273",318" ENG	3-248,3-249,3-250,3-251	S-2 VWV	2101
1965-67	273" ENG	3853S,3854S,4119S,4121S,4122S,4294S, 4304S,4305S	C-4 AFB	2083
1966-67	HIGH PERF 273" ENG	4120S,4295S	C-4 AFB	2083
1970	440" ENG (3 CARBS, INCL CANADA)	R-4375-1A,R-4376-1A,R-4382-1AAS, R-4383-1AAS	H-2 2300	2066
1970-71	440" ENG (3 CARBS)	R-4365-1A,R-4374-1AAS,R-4375-1A, R-4376-1A,R-4382-1AAS,R-4383-1AAS, R-4669A,R-4670A,R-4671A,R-4672A	H-2 2300	2066
1970-71	HIGH PERF (2CARBS) 426" ENG	4742S,4745S,4765S,4969S 4970S,4971S	C-4 AFB	2083
1971	340" ENG (3 CARBS)	R-4789A,AAS,R-4790A,AAS,R-4791A,AAS R-4792A,AAS,	H-2 2300	2066

MAKE YEAR	ENGINE & MODEL	CARBURETOR NUMBER	MFG CODE & MODEL	KIT NO.
--------------	-------------------	----------------------	---------------------	------------

**DART TRUCK
6 CYL**

1934	WAUKESHA BK ENG	F3169 (57-1)	S-1 EX-32	2119
------	-----------------	--------------	-----------	------

**DE SOTO
6 CYL**

1929	---	141S	C-1 BRASS BL	2052
1930	CK	159S	C-1 BRASS BL	2052
1931	SA	188S,200S	C-1 BRASS BL	2052
1932	SC	6B,6B1,6B2	C-1 BB UPDFT	2050
1933-35	SD,SE,SF AIRSTREAM, SG AIRFLOW	E6A,E6A3,E6A4,E6B1,E6F1,E6F2	C-1 BB	2120
1933-38	SD,SE,SF,SG,S-1,S-2,S-3	J-5487	S-1 BXUV-3	2037
	SD,SE,SF,SG,S-1,S-2,S-3	J-5486	S-1 BXUV-35	2037
1933-40	(REPL CARB)	E6P5	C-1 BB	2016
1937-38	---	J-5488	S-1 BXV-3	2037
1937-38	S3,S5,S5 TAXI	E6K1,E6K2,E6K3,E6K4,E6M1,E6L1	C-1 BB	2095
1939-40	S-6,S-7 TAXI	E6N1,E6N2,E6N3	C-1 BB	2016
1939-40	S-6,S-7	380142	S-1 BXV-3	2037
1939-40	S-6,S-7	380235 (4-92)	S-1 BXUV-35	2037
1939-40	S-6,S-7	J-5489	S-1 BXV-3	2037
1939-54	217" ENG, S11,C,S,S13, 14,15,18,20,SP7,24,25 (INCL CANADA)	A-6A2,H2,P2,U1,E6U2,E7L1,2,3,4,W1, E9A1,B1,C,C1,EU2,EV1,2,EX1,1R,2, 2R,3,3R	C-1 BB,BBR1	2016
1941	---	628S,629S	C-1 BBR2	2016
1941	---	380277 (4-117)	S-1 BXVES	2037
1941-42	S-8	E6N3,E6S3,EB1,EB1R,E6UR	C-1 BB	2016
1942	S-10	EG1,EG2,EE1,EF1	C-1 BB	2016
1942-50	---	380280 (4-119)	S-1 BXVES-3	2037
1946-47	S-11	EL1	C-1 BB	2016
1947	S-11 FLUID DRIVE	380218 (3-83C)	S-1 BXVD-3	2003
1949-53	D30,D34,D41,D42,D46,D47	D6M1	C-1 BB	2016
1949-53	S-13,S-14,S-15,S-18	E7V1,E7W1	C-1 BB	2016
1951-53	M-6 (GYRO-MATIC)	380349 (4-123)	S-1 BXVES-35	2037
1951-54	---	380359 (4-124)	S-1 BXVD-35	2003
1954-59	217",250" ENG	920SA,993SA,994SA,2062S,SA,2063S,SA, 2116S,SA, 2248S,2249S,2293S,2294S,2295S, 2380S,2567S,2568S,2569S,2604S	C-1 BBS	2114

8 CYL

1952-54	HEMI ENG. S-16,S-17,S-19	830S,SA,884S,SA,SC	C-2 WCD	2112
1952-54	HEMI ENG. S-16,S-17,S-19	901S,905S,906S,908S,910S,911S,912S, 913S,2067S,2068S,2070S,2129S,2130S, 2131S	C-2 BBD	2113
1955	S-22	2176S,SA,2177S,SA,2178S,SA	C-2 BBD	2031
1955-56	260",270" ENG	2216S,2259S,SA,SB,2260S,SA, SB,2261S,SA,SB,2274S,SA	C-2 BBD	2031
1955-56	ALL EXC FIREFLITE	16-15,16-16	S-2 WW	2100
1955-57	S-2124,26	2210S,2311S,SA,2588S	C-4 WCFB	2022
1956	S-23	2308S,2309S,2310S	C-2 BBD	2032
1956	277" ENG (INCL EXPORT) P-29	2299S,2300S,2301S	C-2 BBD	2032
1956	260",270" ENG SP-29	2422S,2423S,2424S	C-2 BBD	2033
1956	277" ENG	2407S,2408S,2409S	C-2 BBD	2034
1956-58	243",301",318" ENG (INCL EXPORT)	2487S,2488S,2489S,2512S,2513S,2514S, 2644S,2645S,2646S	C-2 BBD	2034
1956-57	S-24,S-27 ADVENTURER (2-CARBS)	2302S,2530S,SA,2445S,2476S,2532S 2476S,2532S,2635S,2636S	C-4 WCFB	2022
1957	S-25	2522S,SA,SB	C-2 BBD	2034
1957	FIREHOME, FIRESWEEP	3-149,A,B,3-150,A,B,C,4-128	S-2 WW	2099

MAKE YEAR	ENGINE & MODEL	CARBURETOR NUMBER	MFG CODE & MODEL	KIT NO.
--------------	-------------------	----------------------	---------------------	------------

DE SOTO 8 CYL - CONTD

1958	LS1, 3 POWER PACK, 350", 360" ENG	2642S, 2773S, 2823S	C-4 AFB	2083
	LS2, 354" ENG (CANADA)	2650S, 2805S	C-4 AFB	2083
	EXPORT LF2 POWER PACK, 313"	2641S, 2744S, 2812S, 2813S	C-4 AFB	2083
	LS3-S ADVENTURER, 360" ENG (2 CARBS)	2652S, 2653S	C-4 AFB	2081
1958	L-S2 (INCL CANADA)	2733S	C-2 BBD	2034
1958-60	318" ENG	2641S, 2744S, 2812S, 2813S, 2991S	C-4 AFB	2083
1959	MS1, 2, 3 HI PERF (2 CARBS)	2790S, 2791S	C-4 AFB	2081
1959	MF2 (INCL CANADA)	2867S, 2868S, 2869S	C-2 BBD	2031
1959	318" ENG (INCL EXPORT)	2775S, 2776S, 2777S, 2864S, 2865S, 2866S, 2896S	C-2 BBD	2031
1959-60	383" ENG (CANADA)	2794S, 2950S	C-4 AFB	2083
1959-61	383" ENG	2794S, 2950S, 3133S, 3152S	C-4 AFB	2083
1960	EXPORT PF4, 313" ENG	2991S	C-4 AFB	2083
1960-61	PS1, 3, RS1, 383" ENG, 3 RAM INDUCTION (2 CARBS)	2903S	C-4 AFB	2058

DIAMOND T-TRUCK 6 CYL

1932-34	HERCULES JXA, JXC ENG 210, 211, 226, 351	F2401 (66-4), F2487	S-1 EX-22	2119
1936-39	HERC ENG 200-600 SERIES	7659, 7954, 8012, 8127, 8177, 8189, 8190, 8401, 8402, 8409, 8427, 8428, 8429, 8711, 8786, 8809	Z-1 20/23	2126
1939-40	HERCULES JXC, D ENG. 612, 614	9069	Z1 28	2088
1936-53	HERCULES JXA, B, C, D, E, E3, QXC3, LD, LD3, WXC3, LC, LC3, ENG, 200- 800 MODEL SERIES	S320, S581, S597, S605, S606, S623, S624, S1264, S1266, S1290, S1333, S1362, 9049, 9052, 9054, A-C, 9055, 9056, 9057, 9059, 9068, 9070, 9072, 9073, 9481, A, 9482, 9561, A, B, 9562, A, B, 9613, 9614, 10957, A 11231, 11366, XA	Z-1 28	2088
1937-38	80 TAXI	7659, 8012	Z-1 20/23	2126
1946-49	HERC. JXB, C, E, 404, 509C	S1363, 10792	Z-1 28	2088
1946-56	HERCULES JXLD, CONTINENTAL T-6427 ENG	66-33, A, 66-34, A	S-2 AAVP-2	3011
1952-55	HERC. QXLD 322	R-750A, R-759A	H-2 AA-1	1006
1953-55	XL501 ENG 830	R-864A, -1A, 1AAS (131873-R91) R-977A (134876-R91)	H-4 2140G	2105
1954-55	XL-308	R-902A, R-945A	H-2 AA-1G	2129
1955-56	XL372, 406, 450 ENG 532, 630, 632, 662, 730	R-966A (N-37509A), R-967A (N-37509B) R-1081A (N-37509C), R-1095A (N-37509D) R-1096A (N-37509E), R-1097A (N-37509F)	H-2 852FFG	2106

8 CYL

1955-56	OV-195, OV-220 ENG	2220S, 2265S	C-4 WCFB	2022
1957-62	OV-207, OV-235 ENG	2563S, SA, 3208S	C-4 WCFB	2022

DIVCO TRUCK 6 CYL

1950-67	CONTINENTAL F6226, HERCULES QXD-3 ENG UM9E6, 104, 204, 304, 4, 5, 7, L237	10983A, B, 11275X, B, D, 11475, A, B, 12616, 12631, 13084, 14275, 14475,	Z-1 28/228	2088
---------	---	---	------------	------

MAKE YEAR	ENGINE & MODEL	CARBURETOR NUMBER	MFG CODE & MODEL	KIT NO.
DODGE - CAR				
6 CYL				
1930	DD	159S	C-1 BRASS BL	2052
1931	---	171S	C-1 BRASS BL	2051
1931	DD	181S	C-1 BRASS BL	2052
1931-32	DH,DL	197S,215S	C-1 BRASS BL	2052
1932	DL	6A2,6B2	C-1 BB UPDFT	2050
1932	U2	228S	C-1 BRASS BL	2051
1933	DO	E8A	C-1 BB	2120
1933-35	DP,DR,DU	A-17072 (3-16),A-17702 (3-1),A-17982 (3-2C)	S-1 EX-22	2119
1933-38	DP,DR,DS,D-4,-6,-7	A-19042 (3-46C)	S-1 BXOV-2	2037
1935-38	DU,D-2,D-3,-5,-8	A-19032 (3-45C)	S-1 BXOV-2	2037
1936-38	D2,3,4,5,6,7,8 TAXI	A-18212 (3-26C),A-18252 (3-28C),A-18372 (3-31A),A-18442 (3-34A),A-18712 (3-36A),A-18432 (3-33A),A-18722 (3-37)	S-1 EXV-2	2119
1939	D-11	A-18073 (3-39A),A-18083 (3-40A),A-18093 (3-41A)	S-1 BXV-3	2037
1939-41	D-11,-14,-15,-16,-17,-19,-20	380221 (3-87C)	S-1 BXVD-3	2037
1939-41	REPL CARB	10243,A,C	Z-1 28	2088
1940-41	D-14,D-17,D-19	A-18123 (3-54A),A-18133 (3-55)	S-1 BXV-3	2035
1941	D-19	380044 (3-59B),380045 (3-60B)	S-1 BXVD-3	2035
1942	D-22	380080 (3-66)	S-1 BXVD-3	2035
		380079 (3-65)	S-1 BXV-3	2035
1942-47	D-22,-24	380158 (3-76)	S-1 BXV-3	2037
		380159 (3-77)	S-1 BXVD-3	2037
1942-48	---	380851 (3-84D)	S-1 BXV-3	2003
1942-54	D24,29,30,33,34,41,42,46, 47,51,52, (INCL CANADA)	D6G1,H2,J1,L1,L2,P1,P2,S1,T1,U1, V1,E9N1,T1,U1,V1	C-1 BB,BBR1	2016
1947-48	D-24	380218 (3-82,A,B,C),380852 (3-82D)	S-1 BXVD-3	2003
		380219 (3-83,A)	S-1 BXV-3	2003
1948-52	D-30,-34,-42	380253 (3-97,A,B,C),380332 (3-112)	S-1 BXVD-3	2003
1949-51	D-29,-30,-33,-34,-41,-42	380249 (3-93,A,B,C,D)	S-1 BXVD-3	2003
1949-52	D-29,-30,-33,-34,-41,-42	380251 (3-95,G)	S1 BXVES-3	2003
1949-52	D-29,-30,-33,-34,-41,-42	380331 (3-111)	S-1 BXVES-3	2003
1949-53	D-30,-34,-41,-42,-46,-47	D6M1	C-1 BB	2016
1949-53	D-29,-30,-33,-34,-41,-42, -46,-47,M-6 (GYRO-MATIC)	380331 (3-111)	S-1 BXVES-3	2003
1950-52	D-34,-42	380268 (3-103,A)	S-1 BXVES-3	2003
1950-52	D-34,D-42,M-6 (GYRO-MATIC)	380333 (3-113)	S-1 BXVES-3	2003
1952-53	---	380357 (3-123)	S-1 BXVD-3	2037
1954-59	215",230" ENG D-51,-52,-54,-60, -64,MD1 TAXI	920SA,993SA,994SA,2062S,SA,2063S,SA, 2116S,SA,2192S,2193S,2194S,2248S,2249S, 2293S,2294S,2295S,2296S,2297S,2298S, 2380S,2382S,2403S,2410S,2567S,2568S, 2569S,2604S,2771S	C-1 BBS	2114
1955	D-56 232" ENG	3-124,3-125,3-126	S-2 WW	2075
1955-56	D-56, "J" SERIES	3-142,3-143,3-144	S-2 WW	2075
1957-58	D-72	3-159,3-160	S-2 WW	2099

8 CYL - CAR

1953-54	D-44,-48,-50,-53	3-105,A,3-106,3-108,A,3-109,A	S-2 WW	2102
1954-57	D53-3,D55,D63-3,D67,D500	2181S,2191S,2253S,2303S,SA,SB, 2432S,2474S,2532S,2622S,2698S	C-4 WCFB	2022
1955	D-59 (INCL CANADA)	2141S,2154S,2155S,2262S	C-2 BBD	2031
1955	D-55-1-2 RED RAM, D-55-3 SUPPER RED RAM 270" ENG	3-120,A,B,C,D,3-121,A,B,C,D,3-122, A,B,C,D,E,3-131,A,B,C,D,3-132, A,B,C,D,3-133,A,B,C,D,E,3-134,A,B	S-2 WW	2075
1955-56	260", 270" ENG, D-61	2422S,2423S,2424S	C-2 BBD	2033
1955-56	D-59,D-61 (INCL CANADA)	2259S,2260S,2261S,2274S	C-2 BBD	2031
1956	D-61 (INCL CANADA)	2407S,2408S,2409S	C-2 BBD	2034

MAKE YEAR	ENGINE & MODEL	CARBURETOR NUMBER	MFG CODE & MODEL	KIT NO.
DODGE CAR 8 CYL - CONTD				
1956-57	CANADA D61,D65,D67	2302S,SA,SB,2530S,SA,2533S	C-4 WCFB	2022
1956-58	243",301" ENG	2487S,2488S,2489S,2512S,2513S,2514S	C-2 BBD	2034
1956-58	D-61,D-63,D-65,D-67,LE-2	2299S,2300S,2301S,2306S,2515S,2516S, 2517S,2519S,2647S,2648S,2649S	C-2 BBD	2032
1956-59	D-63-1 RED RAM,D-63-2-3 SUPER RED RAM,D-66,D-67-1,D-70,D-71, D-72,LD2-L CORONET	3-135,A,B,3-136,A,B,3-137,A,B, 3-138,A,B,C,D,3-139,A,B,C,D,3-140, A,B,C,D,3-149,A,B,3-150,A,B,C,3-163, 3-164,3-181,3-182,3-183,A,B,	S-2 WW	2099
1958	LD3,LE2	2644S,2645S,2646S,2733S	C-2 BBD	2034
1958	EXPORT LE2 POWER PACK 313" POLICE SPECIAL 360" ENG 354" ENG LD3 (CANADA) 325" ENG,LD2-M POWER PACKAGE	2641S,2744S,2812S,2813S 2801S 2650S,2805S 2660S	C-4 AFB C-4 AFB C-4 AFB C-4 WCFB	2083 2083 2083 2082
1958-59	350",360" ENG 318" ENG EXPORT LD3-S, D-500-1, MD2,3, 360" ENG (2 CARBS)	2642S,2773S,2787S 2641S,2744S 2652S,2653S,2790S,2791S	C-4 AFB C-4 AFB C-4 AFB	2083 2083 2081
1959	360" ENG (CANADA)	2787S	C-4 AFB	2083
1959	318" ENG (INCL EXPORT)	2832S,2833S,2834S	C-2 BBD	2032
1959	ME2 (INCL CANADA)	2867S,2868S,2869S	C-2 BBD	2031
1959-63	POLICE SPECIAL 383" ENG	2794S,2854S	C-4 AFB	2083
1960	PD4, 383" ENG PD1 RAM INDUCTION (2 CARBS)	2948S 2903S	C-4 AFB C-4 AFB	2076 2083
1960-61	---	2968S,3133S	C-4 AFB	2083
1960-61	PD4,RD4 (REPL CARB)	2896S	C-2 BBD	2031
1960-62	361" ENG (CANADA) 318" ENG 313" ENG (CANADA)	2926S,3104S,3309S 2991S,3103S,3131S,3247S,3249S 2991S,3101S,3250S	C-4 AFB C-4 AFB C-4 AFB	2083 2083 2083
1960-67	318" ENG DART D2, POLARA P2, T,V SERIES, CORONET, W2	3-198,3-199,3-200,3-222,3-223,3-239, 3-240,3-250,3-251,3-258,3-259,3-260, 3-261,3-272,A,3-273,A,3-274,3-275	S-2 WW	2101
1961	RD1,4 383" ENG	3152S	C-4 AFB	2083
1962	SD2 361" ENG	3252S,3253S,3257S	C-4 AFB	2083
1962-63	---	3437S,3438S	C-4 AFB	2083
1963	HIGH PERF 383" ENG 413" RAM INDUCTION (2 CARBS)	3437S,3438S 3447S,SA	C-4 AFB C-4 AFB	2083 2076
1963-64	HIGH PERF 383" ENG (CANADA)	3520S,SA,3612S	C-4 AFB	2083
1964	HIGH PERF POLICE SPEC 383", 413",426" ENG	3611S,3614S	C-4 AFB	2083
1964-65	HIGH PERF 383",413",426" ENG	3855S,3856S,3858S,3859S,SA,3860S, SA,4200S	C-4 AFB	2083
1965	273" ENG	3-248,3-249	S-2 WW	2101
1966	426" ENG	4136S,4137S	C-4 AFB	2083
1966-67	383" ENG HIGH PERF 383" ENG	4132S,4309S 4130S,4131S,4298S,4299S	C-4 AFB C-4 AFB	2083 2083
1966-67	383" ENG, HI PERF	4133S,4310S	C-4 AFB	2029
1966-71	HIGH PERF 426" ENG (2 CARBS)	4139S,4140S,4324S,4325S,4343S, 4402S,4430S,4431S,4432S,4619S 4620S,4621S,4742S(F),4745S(R), 4746S(R),4969S(R),4970S(R),4971S(F)	C-4 AFB	2083
1967	440" ENG HIGH PERF CW2 (DRAG STRIP PKGS LIMITED PRODUCTION ONLY) 426" SPECIAL HEMI ENG	4327S,4311S,4312S,4326S,4328S,4329S, 4345S(F),4346S(R)	C-4 AFB	2083
1969-70	440" ENG CANADA (3 CARBS)	R-4391A,AAS,R-4392A,AAS,R-4393-1A, -2A,-2AAS,R-4394-1A,-2A,-2AAS,R-4375A, AAS,R-4376A,AAS,R-4382A,AAS,R-4383A,AAS	H-2 2300	2066
1969-72	440" ENG (3 CARBS)	R-4391A,AAS,R-4392A,AAS,R-4393-1A, -2A,-2AAS,R-4394-1A,-2A,-2AAS,R-4144A, -1A,-1AAS,R-4175A,AAS,-1AAS,R-4365A,		

MAKE YEAR	ENGINE & MODEL	CARBURETOR NUMBER	MFG CODE & MODEL	KIT NO.
DODGE CAR 8 CYL - CONTD				
		AAS,-1A,-1AAS,R-4374A,-1A,-1AAS, R-4375A,AAS,R-4376A,AAS,R-4382A,AAS, -1AAS,R-4383A,AAS,-1AAS,R-4669A, R-4670A,AAS,R-4671A,R-4672A,AAS	H-2 2300	2066
1970-71	340" ENG (3 CARBS) (INCL CHALLENGER)	R-4789A,AAS (F),R-4790A,AAS (R) R-4791A,AAS,R-4792A,AAS (C)	H-2 2300	2066
1972	440" ENG (3 CARBS)	R-6404A,AAS (CENTER), R-6405A,AAS (FRONT),R-6406A,AAS (REAR)	H-2 2300	2066
6 CYL - TRUCK				
1929	1/2 TON	142S	C-1 BRASS BL	2053
1930	DD	153S	C-1 BRASS BL	2052
1930	DD2	159SA	C-1 BRASS BL	2052
1931-32	DD2	225S	C-1 BRASS BL	2052
1932	DDG	233S	C-1 BRASS BL	2052
1933	DP,T2,T3,TDP6,TDP-D	C6A2,C6A3,C6A4,CTA,CTA4,CTB,CTB4,ETB, ETB4	C-1 BB	2120
1934	T5-A111,T5-A119,T6,T7	CTC1,CTD1,ETD1,	C-1 BB	2120
1935	T12,T13,T14,T15	B6E1,B6E2,CTD2,ETF2	C-1 BB	2120
1936	T23,T25,T26,T27	CTF1,ETG1	C-1 BB	2121
1937-38	T30,T38,T40,T41,T42	CTH1,CTH2,CTJ1,ETJ1,ETJ2,ETL1	C-1 BB	2095
1939-40	T74,T76,T78,T98,T100,T112,T118, T122	ETN1,ETN2,ETP2,ETR1,ETR1R,B6S1	C-1 BB	2016
1939-41	T-15,-20,-21,-70,-72,-94,-96, -114,-116,VD-15,-20,-21,WD-15 -20,-21	A-18113 (3-43A),380009 (3-58)	S-1 BXV-3	2037
1939-60	ALL MODELS (INCL CANADA)	DTA1,2,DTB1,DTB1R,DTB2,2R,DTB3, 3R,DTC1,DTD1,DTE1,E2,DTF1,F2, DTG1,DTH1,DTL1,L2,E7R1,E7T1,2, E7U1,U2,ETT1,E9H1,E9J1,2335S,2681S	C-1 BB,BBR1,2	2016
1940-55	T88,T90,T91,T98,T128,T130,B-1-FM, -HM,-HHM,JML,-KMAL 1 1/2 TON, B-1-JM,-KMA 2 TON, B-2,B-3, B-4-GM, GMA,-HM,HMA,-HHM,HHMA, -JM,-JMA,-KM,-KMA,B-3, CAB-OVER	6D1,6E1,6F1,6G1,6MI,6N1,6N2,3518S	C-1 BB UPDFT	2109
1941-47	T209,T118,T120,T122	ETP2,ETR1,ETR1R	C-1 BB	2016
1941-47	WF,WG,WH	380869 (3-92)	S-1 BXV-3	2035
1941-50	WC,WD15,20,21,B-1-B,B-1-C,B-2-B, B-2-C	380849 (3-98)	S-1 BXUV-3	2037
1942-49	WD,B-1-D,B-1-F,B-1-J,B-1-K	380220,380851 (3-84,A,B,C,D)	S-1 BXV-3	2003
1942-49	T-116,T-117,T-146,T-164,T-165	380082 (3-68F)	S-1 BXV-3	2035
1943-67	3/4 TON (T214) MILITARY,WC-51,-52, -53,-54,-55,-56,-57,-58,-59,-60, 1 1/2 TON (T223) WC-62,-63, (T245)	ETW1,ETW1RU	C-1 BB W/GOV	2049
1947-49	B-1-R,B-1-RW,B-1-T,B-1-V,F-1-T, F-1-V,F-1-PW,S-1-T,S-1-V,WJ,WDX	E7B1,C1,F1	C-1 BB	2077
1949-51	T-164,T-165,T-176,T-310	380262 (3-100B) 380248 (3-91B)	S-1 BXV-3 S-1 BXVD-3	2035 2035
1949-52	B-1-D,B-1-DU,B-1-EU,B-2-D,B-2-DU, B-2-EU,B-3-D,B-3-DU,B-3-EU	380261 (3-99A)	S-1 BXVD-3	2035
1949	1 TON, B-2-PW,B-3-PW,B-4-PW, C-1-PW6,C-3-PW6,C-4-PW6,K-6-W300, L-6-W300M,M-6-W300M,P-6-W300M	E7S1	C-1 BB W/GOV	2077
1952	B-3-PW POWER WAGON T-137,T-164, T-165,T-176,T-310	380322 (3-107)	S-1 BXV-3	2035
1953-55	2 3/4,3,3 1/2, 4 TON	E9G1	C-1 BB	2016
1953	2 3/4,3,3 1/2 TON	E9G1	C-1 BB	2016
1953-58	2 1/2 TON	E9K1,E9Y1	C-1 BB	2016

MAKE YEAR	ENGINE & MODEL	CARBURETOR NUMBER	MFG CODE & MODEL	KIT NO.
DODGE				
8 CYL - TRUCK				
1953-54	VT-334,336,338,344,346,VTX-342, 346	3-117,3-119	S-2 WW	2103
1954	2 3/4 TON	E9X1	C-1 BB	2016
1955-56	2 3/4 & 3 TON, C-3-R8,C-3-RS8,T8, C-3-T8,C-4-K8,C-4-KS8,C-4-KM8, C-4-KX8,FC-4-K8	2229S,2420S	C-2 BBD	2033
1955-56	270" VT-334,VT-336,VT-338,VT-342 VT-344,VT-346,VTX-342,VTX-346	3-128,3-134,A,B,3-141,3-145	S-2 WW	2075
1956	D-500	2443S,SA	C-4 WCFB	2057
1956-62	318",325",361" ENG C,L,M,P,R, RR SERIES	3-146,A,3-147,3-148,A,3-151,A,3-152, 3-153,A,3-154,A,3-155,3-165,3-169, 3-170,3-171,3-173,3-176,3-177,3-178, A,3-179,3-184,3-185,A,3-190,3-191, 3-192,3-193,3-194,3-195,3-197,3-202, 3-203,A,3-204,A,3-205,3-207	S-2 WW	2099
1957-58	K8-D700,D800,S700,T700,T800, L8-D700,S700,T700	2550S,SA,2620S,SA	C-2 BBD	2034
1957-59	354" ENG (INCL CANADA)	2620S	C-2 BBD	2034
1958-60	313" ENG (INCL CANADA)	2735S,2736S,2989S	C-2 BBD	2034
1958-62	313" ENG, L8 & M8-CD1,3,4,5 P8 & R8-CD1,3,4,5,6 R8-CW1,3,5 CS5 (CANADA)	2735S,2736S,2989S,SA,3283S	C-2 BBD	2034
1960	P8-C900,P8-C1000, 413" ENG	2906S	C-4 AFB	2081
1961-69	273",313",318-1,318-3,361-2 ENG A,D,R,RF,RR,T SERIES	3-213,3-214,3-215,3-216,3-218,3-225, 3-226,3-227,3-243,3-248,3-249,3-256, 3-257,3-264,3-265,3-272,3-273,3-274, 3-275,3-278,3-279,3-280,3-281,3-283, 3-284,3-285,3-286,3-287,3-290,3-291, 3-292,3-308,15-45	S-2 WW	2101
1963-68	413"-3 ENG	2906S,3452S,4393S	C-4 AFB	2081
1967	413"-3 ENG	4393S	C-4 AFB	2081
1968-69	MOTOR HOME 318" ENG	3-298	S-2 WW	2101
1969-71	V-549 IHC ENG	R-4430A,-1A,-2A,-2AAS (2955559)	H-4 2140G	2105
1969-72	V-478 IHC ENG	R-4428A,-1A (2955814)	H-2 852FFG	2107
1970-72	318",413" ENG	R-6909AAA	H-4 4160	2060
1970	MOTOR HOME 313" ENG	3-311	S-2 WW	2101
1972-73	V/VS-549 IHC ENG	R-6456A,AAS (3638352)	H-4 2140G	2105

**EDSEL
6 CYL**

1959-60	223" ENG	3319S,3349S	C-1 AS	2096
---------	----------	-------------	--------	------

8 CYL

1958-59	361" ENG	EDT-9510-B,C,5751681,5752308 5752309	F-4 4100	1021
1958-60	332",352",361",410" ENG	R-1847A,R-1848A,AAS,-1A,-1AAS, R-1849AA,AAS	H-4 4160	2060
1959	332" ENG	5752304,5752305	F-2 2100	1020
1959	332" ENG	R-1843A,R-1844A,AAS	H-2 2300	1017
1959-60	292" ENG	R-1929AAS,-1AAS	H-2 2300	1017
1959-60	292" ENG	COAE-9510-M,5752306,5752307	F-2 2100	1020
	292" ENG	3082S	C-2 ABD	1018
1960	352" ENG	COAE-K	F-4 4100	1021

MAKE YEAR	ENGINE & MODEL	CARBURETOR NUMBER	MFG CODE & MODEL	KIT NO.
ESSEX TERRAPLANE				
6 CYL				
1932	K	243S	C-1 W1	2015
F.W.D TRUCK				
6 CYL				
1938-56	WAUK. 6BK,6MZR,HERC. QXLD3 T26,HG,HR,LD 1 1/2 TON	S927,S1127,11101	Z-1 28	2088
FAIRLANE				
6 CYL				
1963-67	170",200" ENG	4555SA,SB,4556SA,SB	C-1 RBS	3010
FAIRLANE				
8 CYL				
1962-63	221" ENG	C2OE-9510-N,R,S,T,C2OF-N,R,S,T, C3DF-C,D,C3OF-C,D,AG,AH	F-2 2100	1020
1962-64	260" ENG	C2OF-9510-AA,AB,AC,AD,C3AF-BD,BE, C3DF-E,F,C3OF-E,F,C4DF-AB,AC,C4OF- A,B,K,L,AE,AK,AM,AS,BR,BS,C4ZF-N,R, C6PF-F	F-2 2100	1020
1962-64	221",260",289" ENG (REPL CARB)	3944S,3945S	C-2 ABD	1019
1963-66	289" ENG	C3OF-9510-AB,AJ,C4OF-AL,AT,BT,BU, C4ZF-G,H,C5OF-J,K,L,M,T,U,C5ZF-C,D, E,F,J,K,L,M,C6PF H,M,C6ZF A,B,C,F,	F-4 4100	1021
1964	260" ENG	C4AF-9510-BE,BV,C4DF-A,B,C4OF-D,E,AG	F-2 2100	1020
	260",289" ENG (CANADA)	C4AF-BV,BY,C4OF-A,B,D,E,AG	F-2 2100	1020
1964-68	289" ENG	C4AF-9510-B,C,DD,DE,EB,EC,C4OF-J, BJ,BV,C5ZF-A,B,G,H,C6DF-A,B,E,F, C6PF-F,C7DF-E,F,G,H,N,R,S,V,C8AF-L, AK,BD,C8PF-T,C8ZF-G	F-2 2100	1020
1965-67	289",390" ENG (REPL CARB)	4557S	C-2 ABD	1019
1966	390" ENG	C6DF-9510-D,E,H,J,C6SF-A	F-4 4100	1021
1966-68	390" ENG	C6OF-9510-B,C,K,L,AH,C7OF-J,K,L,M, U,AF,AK,C8AF-M,AM,C8OF-J,K,U,	F-2 2100	1020
1967	292" ENG	C6PF-9510-F	F-2 2100	1020
1968	289" ENG (CANADA)	C8AF-9510-AF,C8DF-E,F,C8OF-S, C8ZF-E,H	F-2 2100	1020
	302" ENG	C8AF-AF,C8OF-L	F-2 2100	1020
	390" ENG (CANADA)	C8AF-AZ,BA,BB,C8OF-R,T,AE,AF, C8PF-U,C8WF-A	F-2 2100	1020
1968-69	390" ENG	C8AF-9510-T,AH,C8OF-N	F-2 2100	1020
	302" ENG	C8AF-D,AK,BD,C8OF-H,M,S, C8PF-T,C8ZF-G,C9AF-A,T,C9ZF-G	F-2 2100	1020
1969	302" ENG (CANADA)	C9AF-9510-J	F-2 2100	1020
	351" ENG	C9OF-C,C9ZF-A	F-2 2100	1020
FALCON				
6 CYL				
1960-61	144",170" ENG	3347S,3348S	C-1 AS	2096
1963-67	170",200" ENG	4555SA,SB,4556SA,SB	C-1 RBS	3010

MAKE YEAR	ENGINE & MODEL	CARBURETOR NUMBER	MFG CODE & MODEL	KIT NO.
FALCON				
8 CYL				
1963-64	260" ENG	C3AF-9510-BD,BE,C3DF-E,F,G,H,L,M, C3OF-E,F,C4DF-E,F,J,K,N,R,S,T,AB,AC, C4OF-A,B,K,L,AE,AK,AM,AS,BR,BS, C4ZF-N,R,C6PF-F	F-2 2100	1020
1963-64	260", 289" ENG (CANADA)	C4OF-9510-D,AG,BV	F-2 2100	1020
1963-67	289" ENG (REPL CARB)	3944S,4557S	C-2 ABD	1019
1965-66	289" ENG	C5ZF-9510-C,D,E,F,J,K,L,M, C6PF-H,C6ZF-A,B,D,E	F-4 4100	1021
1965-70	289",292",302" ENG (CANADA)	C5ZF-9510-A,B,G,H,C6DF-A,B,E,F, C6PF-F,C7DF-E,F,G,H,N,R,S,V,C8AF-L,AF, AK,BD,C8DF-E,F,C8OF-S,C8PF-T,C8ZF-G, C8ZF-E,H,C9AF-A,G,J,T,U,C9ZF-G,D0AF-U	F-2 2100	1020
FEDERAL TRUCK				
6 CYL				
1933	MILK TRUCK	256S	C-1 BRASS BL	2051
1933-34	15A,20A,25A	276S	C-1 W1	2015
1936-40	HERC & WAUK ENG C7,8,10D,15D, 20D,25D,29D,11E,40E,50E,U6	7708,7716,7742,8017,8054,8093	Z-1 20/23	2126
1940-46	WAUK 6MKR 35,45	9564,A,B	Z-1 28	2088
1944-52	16M,16M2,18M,18M2,25M,25M2,29M, 29M2,29MA,1800,1801T, 1802T,2500,2501T,2502T,2901T, 2902T,2904T,3001T	588S	C-1 BB	2091
1950	1500T	841S	C-1 BB	2080
1950-51	HERC. JXD 15,18,25,29M	11130	Z-1 228	2088
1952-54	1800T,2500T,2901,02,04,3001,02,04	956S,2042S	C-2 WGD	2005
FIREBIRD				
8 CYL				
1967	326",400" ENG	4243S,4245S	C-4 AFB	2048
1968-69	350" ENG	7028062,7028071,7029062	R-2 2GV	2110
1968	CANADA 350" ENG	7028062,7028071	R-2 2GV	2110
FLXIBLE				
8 CYL				
1941-50	29BR41,29BR42,BR-44-45-46,B-47, B-48,B-49,B-50,182-218B1-50	380046 (256-1)	S-2 AAV-26	2007
FORD CAR				
4 CYL				
1920-26	MODEL "T"	----	H-1 NH	1000
1921-26	MODEL "T"	----	K-1 L4	1001
1928-31	MODEL "A"	A-9510B	Z-1 94	1003
1928-31	MODEL "A"	B-9510A,T	T-1 X,XF	1002
1928-32	MODEL "A" (REPL CARB)	241S	C-1 BRASS BL	2053
1932-34	MODEL "B"	B-9510	Z-1 1 24½	1004
1932-34	MODEL "B"	B-9510A,T	T-1 X,XF	1002
1941-42	GPW	539S,698S	C-1 WO	2012

MAKE YEAR	ENGINE & MODEL	CARBURETOR NUMBER	MFG CODE & MODEL	KIT NO.
FORD CAR				
6 CYL				
1941-48	---	2-22A	S-1 BXOV-2	2037
1941-51	ALL G & H SERIES	R-134-7A,-7AS,R-428A,R-537AS, 1GA-A,5GA-A,7HA-A,8HA-A	H-1 847	1007
1949-51	---	2-26	S-1 BXOV-2	2037
1952-61	215",223" ENG	3319S,3349S	C-1 AS	2096
1975	171" ENG (REPL CARB)	R-9473A,AAA	H-2 2300	1017
8 CYL				
1934-38	(REPL CARB)	363S,424S	C-2 WDO	2055
1934-41	85-90 HP	40-9510D,52-9510D,67-9510A,380076 (2-21A),A-18271 (2-21),A-18281, A-18291,A-18301	S-2 EE-1,97	1005
1934-53	90-100 HP	R-120-3A,-3AS,R-402A,AS,R-649A,AS, R-695A,AS,R-696A,AS,-1A,R-713A,AAS, 59A-A,88A-A,1BA-A,EAB-C,D,E,F	H-2 AA-1,2100	1006
1936-40	60 H.P.	2-16 (380141) (A-17690 SE-67-9510 "54") A-17800 52-9510-B,-C, A-17910 52-9510-D, A-17900 52-9510-E "74")	S-2 81	1025
1935-38	68	A-17691,A-17741,A-18231	S-2 EE-1,97	1005
1938-42	90-100 HP	91A-9510A,922-9510A	CG-2 91,99	1006
1937-40	60 HP	R-122-1AS, 922A-9510A	H-2 AA-1	1013
1942-48	100 HP	380209 (2-24)	CG-2 81	1013
1949-51	POLICE UNIT (MERCURY ENG)	R-598AS,R-689A,1BAS-A,8BAS	S-2 EE-1,97	1005
1949-52	239"	380272 (2-25B)	H-2 885-FFC	1009
1952-53	POLICE SPEC (MERCURY ENG)	R-745A,-1A,-2A,-3A,-4A,-4AAS	S-2 EE-1,97	1005
1954	239" ENG	R-792A,-1A,R-793-1A,-2A,R-908A,-1A, -1AAS,EBU-B,-F,-D,-G,-E,-H	H-2 1901	1008
1955	292" ENG, POWER PACK	R-957-1A,-2A,R-991-1A,-2A,R-1074A, -1A,-2A,-2AAS,R-1075A,-1A,-2A	H-2 2100-DD	1012
1955-56	272" ENG	R-950-1A,-2A,R-951-2,-3A,R-1044A, -1A,-1AAS,R-1156A,-1A,R-1159A,-1A, R-1283AA,AAS,ECG-J,-M,-K,-N,-L,-R, -S,-T,-U,-AL,-AM	H-4 4000	1010
1956	OPTIONAL 312" MERCURY ENG	2361S,SA	H-2 2100-DD	1012
1956-57	292",312" ENG (INCL POLICE SPEC, 2 CARBS)	R-1161A,-1A,-2A,-2AAS,R-1162A,-1A, -2A,R-1163A,-1A,-2A,R-1164A,AS,-1A, -2A,R-1268A,R-1434A,AS,R-1437A,AS	C-4 WCFB	1016
1957	312" ENG	2441S,SA	H-4 4000	1010
1957	272" ENG (1ST FORD BUILT)	ECG-9510-AU,AV,AY,AZ,BA,BJ,BK	C-4 AFB	2045
1957	292" ENG (1ST FORD BUILT)	EDB-9510-J,K,N	F-2 2100	1014
1957	312" ENG (1ST FORD BUILT)	ECZ-9510-U,Z,B7A-B,X	F-2 2100	1014
1957	312" ENG	R-1272A,-1A,R-1273A,-1A,-2A,-2AS, -2AAS	F-4 4100	1015
1957-58	272",292",332" ENG	R-1281A,-1A,-2A,-3A,-4A,R-1282A,-1A, -2A,-3A,-4A,R-1379A,-1A,-2A,R-1380A, -1A,-2A,R-1406A,-1A,R-1486A,-1A, R-1552A,-1A,R-1681A,-1A,R-1682A,-1A, R-1952AA,AAS	H-4 4150C	1022
1957-63	272",292",332",352" ENG	3082S,3316S	H-2 2300-C	1011
1957-64	260",272",289",292",332" ENG	R-1929AAS,-1AAS	C-2 ABD	1018
1958	352" ENG	2640S,SA,SC	H-2 2300	1017
1958	332" ENG	EDC-9510-C,D,5751679,5752308,5752309	C-4 AFB	2045
1958-59	332" ENG	DEA9BB,9BC,EDC-9510-A,B,5752305	F-4 4100	1021
1958-60	352" ENG	EFAOAA,EFAOAB,EFAOAC,EFAOBA,EFAOBB EFAOBC,EFA9AA,EFA9AB,EFA9AC,EFA9BB,	F-2 2100	1020

MAKE YEAR	ENGINE & MODEL	CARBURETOR NUMBER	MFG CODE & MODEL	KIT NO.
FORD CAR 8 CYL - CONTD				
1958-62	292" ENG	EFA9BC,COAE-9510-J,K,EDT-B,C, 5751680,5751681	F-4 4100	1021
1958-71	289",302",332",351",352",390",406" 428",429",430" ENG	DBAOAA,DBAOAB,DBAOAC,DBAOAD,DBAOAE, DBAOAF,DBAOBA,DBAOBB,DBAOBC,DBAOBD, DBAOBE,DBAOBF,DBA1AA,DBA1BA,DBA1BB, DBA9AA,DBA9AB,DBA9AC,DBA9BB,DBA9BC, KBA1AA,KBA1BA,KBA1BB,COAE-9510-H,M, AF,AG,C1AE-Y,Z,AA,AB,C2AE-Y,Z,AA,AB, C2AF-AA,AB,AC,AD,EDB-U,V,AF,AG, 5752306,5752307	F-2 2100	1020
1959-62	332" ENG (INCL CANADA)	R-1737-1A,R-1738-1A,R-1740-1A,R-1847A,-1A, -1AAS,R-1848A,AAS,-1A,-1AAS R-1849AAS,R-1850A,AAS,R-2112A,AS,R-2142A, -1A,R-2143A,-1A,1AAS,R-2328A, AS,R-2599A,AS,AAS,R-2652A,-1A,-1AS,-1AAS, R-2668A,R-2804A,AS,AAS,R-2805A,AS,AAS, R-3113AAS,R-3115AAS,R-3300A,AAS,R-3001A,AAS, R-3410A,AAS,R-3411A,AAS,R-3489AAS,R-3490AAS, R-3491AAS,R-3492AAS,R-4005AAS,R-4006AAS, R-4452AAA,AAS,-1AAA,-1AAS,R-4548AAA,AAS, R-4549A,AAS,R-4550A,AAS,R-4581AAS,R-4699AAS, R-6291AAA	H-4 4160	2060
1960-63	352" ENG	R-1843A,R-1844A,AA,AAS,-1AAS, R-2049A,R-2050A	H-2 2300	1017
1961-62	352" ENG (INCL CANADA)	DFAOAA,DFAOAB,DFAOAC,DFAOAD,DFAOAE, DFAOBA,DFAOBB,DFAOBC,DFAOBD,DFAOBE, DFA1AA,DFA1BA,DFA1BB,KFA1AA,KFA1BA, KFA1BB,COAE-9510-R,S,AB,AC,C1AE-AC, AD,AE,AF,C2AE-AC,AD,AE,AF,C2AF-AE, AF,AG,AH,C3AF-E,F,AM,AN	F-2 2100	1020
1961-63	390",406" ENG (3 CARBS)	R-1806A,-1A,R-1807A,AAS,-1A,-1AAS	H-2 2300	1017
1961-64	390" ENG (CANADA)	R-2436A,AS,AAS,R-2437A,AS,AAS	H-2 2300	1017
1961-66	POLICE SPEC. 390" ENG	C4AF-8510-BJ	F-4 4100	1021
1961-66	390" ENG	C3AF-9510-AT,AU,AV,AY,C4AF-DK,DL, DY,EF,C5AF-J,K,AD,AE,AR,AS,AT,BA, C6PF-H	F-4 4100	1021
1961-80	221",260",289",302",351",352",390", 400",429" (REPL CARB)	LSAISA,LSAITA,LSAITB,LSAIWA,LSAIXA, LSAIXB,C1AE-9510-AG,AH,AK,AL,C2AE- AG,AJ,AK,AL,AN,AR,AT,AU,AV,AY,AZ,BA, C2AF-N,S,T,U,Y,Z,AJ,AK,AL,AM,AN,AR, C3AF-N,R,S,T,BU,BV,BY,BZ,C4AF-DH, DJ,DV,DY,C5AF-E,H,Z,AC,AK,AL,AN,AU, AV,AZ,C6AF-E,F,AB,AC,C6MF-B	F-4 4100	1021
1962-63	221" ENG FAIRLANE	R-7008AAA,1AAA,R-7108AAA,-1AAA,-2AAA, R-7508AAA,-1AAA,R-7509AAA,-1AAA, R-7561AAA,R-8000AAA,-1AAA,R-8208A, R-8209A,R-8210A,R-8639AAA,R-8640AAA, R-8641AAA,R-9035AAA,R-9117AAA, R-9697AAA,R-9876AAA,R-9965A,R-9981A, R-80003AAA	H-2 2300	1017
1962-64	260",289" ENG FAIRLANE	R-2603AAS	H-2 2300	1017
1963	260" ENG	R-1929-1AAS	H-2 2300	1017
1963-64	260" ENG FALCON	C3AF-9510-BD,BE,C3DF-E,F,C3OF-E,F	F-2 2100	1020
1963-64	352" ENG	R-1929-1AAS	H-2 2300	1017
1963-65	352" ENG (CANADA)	R-3114AAS	H-2 2300	1017
1963-67	289" ENG	C4AF-9510-H,BB,BH,C5AF-C,D, C3AF-9510-AK,AL,AZ,BA,C4AF-B,C, C4AF-DD,DE,EB,EC,C4OF-BV,C5AF-	F-2 2100	1020

MAKE YEAR	ENGINE & MODEL	CARBURETOR NUMBER	MFG CODE & MODEL	KIT NO.
		A,B,AH,AJ,C6AF-A,B,Z,AA,C6PF-D,F, C7AF-N,R,S,T,AS,AT,AU,BN,C8AF-BA, C8OF-AF,C8PF-U,C8WF-A	F-2 2100	1020
1963-67	260",289",390" ENG (REPL CARB)	3944S,4557S	C-2 ABD	1019
1963-69	406",427",428" ENG HI PERF (2 CARBS)	R-2652A,-1A,-1AS,-1AAS,R-2668A,AAS, R-2804A,AS,AAS,R-2805A,AS,AAS,R-2926A, AS,AAS,R-2927A,AS,AAS,R-3300A,AAS, R-3301A,AAS,R-3410A,AAS,R-3411A,AAS	H-4 4150,4160	2060
1964-66	289" ENG FAIRLANE, FALCON (3 CARBS)	R-2867A,AAS,R-2868A,AAS,R-2881A, AAS,-1AAS,R-2882A,AAS,-1AAS	H-2 2300	1017
1964-66	352" ENG	C4AF-9510-N,R,DF,DG,DZ,EA, C5AF-E,F,Z,AA,AK,AL,AN,AU AV,AZ,C6AF-L,AJ,C6PF-H	F-4 4100	1021
1965	352",390" ENG (3 CARBS)	R-3208A,AAS	H-2 2300	1017
	289" ENG (3 CARBS) HIGH PERF FALCON	R-2881A,AAS,-1AAS,R-2882A,AAS,-1AAS	H-2 2300	1017
1965-67	289",352",390" ENG	R-3486AAS,R-3487AAS,R-3488AAS	H-2 2300	1017
1965-68	289",302" ENG FALCON, FAIRLANE	R-3485AAS,R-4446AAS	H-2 2300	1017
1965-70	289",302",390" ENG	R-4643AAA,-AAS,-1AAA,-1AAS	H-2 2300	1017
1966	428" ENG	C6AF-9510-E,F,AB,AC,C6MF-B,E,	F-4 4100	1021
1966	289" ENG (2 CARBS)	R-3360A,AAS,R-3361A,AAS	H-4 4160	2060
1966-68	390" ENG FAIRLANE	R-3487AAS,R-4439AAS	H-2 2300	1017
1966-69	390",428",429" ENG HIGH PERF GT, FAIRLANE	R-3530A,AAS,R-3557A,AAS,R-4129A,AAS, R-4456AAS,R-4742AAA	H-4 4150	2061
1966-69	POLICE SPEC. 428" ENG	C6AF-9510-J,K,AF,AB,C7AF-AL, AM,AN,AR,C8AF-AE,BG	F-4 4100	1021
1966-71	390" ENG	C6MF-9510-A,D,J,C6PF-D,C7AF-U,V,Y, C7AF-Z,AK,BE,BR,BT,C8AF-M,N,AM,AN,BA, C8OF-AF,C8PF-U,C8WF-A,C9AF-B,C,J,Z, C9ZF-M,DOAF-G,J,Y,Z,AA,AR,AS,AR,AU, DOAF-AV,D1MF-FA,D1YF-CA,DA,FA	F-2 2100	1020
1968	302" ENG	R-4439AAS	H-2 2300	1017
1968	390" ENG (CANADA)	C8AF-9510-T,U,AH,AJ	F-2 2100	1020
1968	390" ENG (CANADA)	C8AF-9510-AZ,BA,BB,C8OF-AE,AF, C8PF-U,C8WF-A	F-2 2100	1020
1968-69	302" ENG	C8AF-9510-R,S,AF,AG,C9AF-J	F-2 2100	1020
1968-69	428" ENG (CANADA)	C7AF-9510-AM	F-4 4100	1021
1968-70	289",302",351",390",429" ENG	R-6855A,-1AAA,-2AAA	H-2 2300	1017
1968-71	302" ENG	C8AF-9510-L,AK,BD,C9PF-T,DOAF-C,D,U, D1AF-BA,DA,SA,TA	F-2 2100	1020
1968-71	390" ENG (CANADA)	C8AF-9510-T,U,AH,AJ,C8OF-N	F-2 2100	1020
1969	302" ENG POLICE SPECIAL	R-4446AAS	H-2 2300	1017
1969	351" ENG FAIRLANE	R-4643AAA,-AAS,-1AAA,-1AAS	H-2 2300	1017
1969	302" ENG TAXI, POLICE SPEC	C8AF-9510-BD,C8PF-T,C9AF-A,T	F-2 2100	1020
1969-71	351" ENG	C9ZF-9510-B,DOAF-E,F,J,V,AR,AS,AT, DOAF-AU,AV,D1AF-FA,JA,KA,D1MF-FA	F-2 2100	1020
1969-71	429" ENG	C9AF-9510-J,Z,C9ZF-L,M,DOAF-J,T, DOAF-AR,AS,AT,AU,AV,D1MF-FA,GA	F-2 2100	1020
1969-72	302",351",400" ENG (REPL CARB)	D4PE-9510-EA,EB,EC,FA,FB	F-2 2100	1020
1970-71	351" CLEVELAND ENG TORINO	R-6294AAA,-1AAA,-2AAA,-3AAA	H-2 2300	1017
1971	302",351",390",429" ENG MAVARICK	R-6433AAA	H-2 2300	1017
1971	302" ENG	D1OF-9510-ABA,AGA,D1ZF-ADA	F-2 2100	1020
	351" ENG	D1AF-XA,YA,D1MF-KA,D1OF-RA, D1OF-YA,ZA,AHA,AJA,D1ZF-SA,UA, D1ZF-ACA,AEA	F-2 2100	1020
	400" ENG	D1MF-JA,KA,LA,D1ZF-SA,ACA	F-2 2100	1020
	429" ENG	D1MF-MA	F-2 2100	1020

MAKE YEAR	ENGINE & MODEL	CARBURETOR NUMBER	MFG CODE & MODEL	KIT NO.
FORD CAR 8 CYL - CONTD				
1971-74	351",429",460" ENG (INCL REPL)	R-6520AAA,-1AAA,R-7053AAA,-1AAA, R-7154AAA	H-4 4160	2060
1972	302" ENG	D2AF-9510-HA,HB,HC,D2GF-AA,AB,AC,BA, D2GF-BB,BC,D2OF-KA,KB,D2OF-VA, D2PF-GA,GB,D2ZF-FA,FB,MA	F-2 2100	1020
	351" ENG	D2AF-EA,FB,FC,GA,GB,GC, D2OF-PA,RA,UA,UB,D2PF-GA,HA, D2WF-CA,D2ZF-KA,LA	F-2 2100	1020
	351" W ENG	D2AF-FD,GD,D2PF-GB	F-2 2100	1020
	351" C ENG	D2MF-CB,D2OF-UC,D2PF-HB,D2WF-CB, D2ZF-LB,LC,D3PF-DA	F-2 2100	1020
	400" ENG	D2AF-UC,D2MF-CA,DA,DB,EA,EB,FA,FB, D2MF-FC,FF,D2PF-HA,HB	F-2 2100	1020
1973	302" ENG	D4PF-9510-AYA,AZA,BDA	F-2 2100	1020
	351" ENG	D3AF-PA,RB,UA,XA,D3WF-CA	F-2 2100	1020
	351" W ENG	D3AF-CC,CD,D3PF-GA	F-2 2100	1020
	351" C ENG	D3AF-CE,DB,DC,KA,D3PF-FA,D3WF-AC, D3AF-JA,MA,NA,RA,D3PF-FB,D3ZF-FA	F-2 2100	1020
	400" ENG	D3AF-DB,D3MF-AD,AE,BA,CA,DA,EA,FA,GA, D3PF-FA,FB	F-2 2100	1020
1973	302",351" ENG	R-6887A	H-4 4160	2060
1974	302" ENG BRONCO	D4PE-9510-AZA,BDA	F-2 2100	1020
	351" C ENG	D4AE-CA,D4AF-EA,D4OF-DA	F-2 2100	1020
	351" W ENG	D4AE-DA,EA,D4AF-DA	F-2 2100	1020
	351", 400" ENG	D4PE-HB	F-2 2100	1020
	351" ENG	D4AE-KA,D4OE-FA,D4PE-HA,D4PE-VA	F-2 2100	1020
	400" ENG	D4AE-FA,GA,HB,D4ME-CA,BA,D4MF-BA,CA, D4MF-DA,EA,D4PE-HA,VA,VB,BKA	F-2 2100	1020

FORD 4 CYL TRUCK

1920-26	MODEL "T"		H-1 NH	1000
1921-26	MODEL "T"		K-1 L-4	1001
1928-31	MODEL "A"	A-9510B	Z-1 94	1003
1928-31	MODEL "A"	B-9510A,T	T-1 X,XF	1002
1928-32	MODEL "A" (REPL CARB)	241S	C-1 BRASS BL	2053
1932-34	MODEL "B"	B-9510	Z-1 124 1/2	1004
1932-34	MODEL "B"	B-9510A,T	T-1 X,XF	1002

6 CYL TRUCK

1941-51	ALL G & H SERIES	R-134-7A,-7AS,R-484AS,-1AS,1GA-A, 5GA-A,7HT-A	H-1 847	1007
1947-53	254" ENG F-6 SERIES	R-568A,AS,8MTH-A	H-1 897	1007
1948-51	226" ENG	2-28	S-1 BXOV-2	2037
1949-51	"H" SERIES C.O.E. 226" ENG	R-501-1A (7HW)	H-1 859-FS	1024
1949-53	"M" SERIES C.O.E. 254" ENG	R-551A (8MWH)	H-1 859-H	1024

8 CYL-TRUCK

1934-41	85-90 HP	40-9510D,52-9510D,67-9510A,380076 (2-21A), A-18271,(2-21),A-18281,A-18291,A-18301	S-2 EE-1,97	1005
1934-53	90-100 HP	R-120-3A,-3AS,R-402A,AS,R-483AS,R-649A,AS, R-695A,AS,R-696A,AS,-1A,R-701A,R-713A,AAS, R-741A,AAS,R-753A,R-822A,AS,AAS,R-854A, 1BA-A,7RT-A,8BA-A,8RT-A,E,F,G,H,59A-A, EAB-C,D,E,F	H-2 AA-1,2100	1006

MAKE YEAR	ENGINE & MODEL	CARBURETOR NUMBER	MFG CODE & MODEL	KIT NO.
FORD TRUCK 8 CYL - CONTD				
1936-40	60 H.P.	2-16 (380141) (A-17690 SE-67-9510 "54") (A-17800 52-9510-B,C, A-17910 52-9510-D, A-17900 52-9510-E "74")	S-2 81	1025
1938-42	90-100 HP	91A-9510A,922-9510A	CG-2 91.99	1006
1937-40	60 HP	R-122-1AS 922A-9510A	H-2 AA-1 CG-2 81	1013
1942-48	100 HP	380209 (2-24)	S-2 EE-1.97	1005
1949-51	F7,F8	R-480A,-1AAS,R-670A,R-740A,AAS	H-2 885 FFG	2127
1952-55	256",279",317" ENG,F-7,F-8, F-700,F-800,F-900 SERIES	R-646-1A,-2A,-4A,R-665A,-1A,-1AA,-3A,R-782A, -1A,R-795A,-1A,R-818A,-1A,-2A,-3A,-3AS,-3AAS, R-850AA,-1A,-1AA,-2A,-2AA,-2AAS,R-851-1A, -2A,-2AA,-2AAS,R-893A,AS,-1A,-1AAS,R-894A, AS,-1A,-1AAS	H-2 1901	1008
1954-55	239" ENG	R-802A,R-848-2A,R-866A,R-909A,AS, AAS,EBV-J,-L,-K,-H	H-2 2100,DD	1012
1956	272",302",332" ENG, B-750,C-750, -800-900,F-600,700,750,800,-900 T-700,-750,-800	R-1090A,-1A,-2A,-3A,R-1091A,-1A,-2A R-1092A,-1A,-2A,R-1390A,-AAS,R-1391A, -AAS,R-1392A,-1A,-1AAS,ECR-B,-C,-D, -F,-K,ECS-B,-C,-D,-E,ECT-B,-C,-D,-E	H-4 4000G	2105
1956	272",302",332",B,C,F-600,700,750, C,F-800,T-700,750,800	R-1125A,-1A,R-1126A,R-1127A	H-2 1901-SFFG	2130
1956-57	272" ENG, F-100 THRU F-600	R-1157A,-1A,R-1158A,-1A,R-1160A,-1A,R-1284A, AAS,R-1381A,AS,AAS,R-1382A,AAS,ECW-D,-E, -F,-G,-H,-J,-K,-L,-M,B6C-D,B6Y-A	H-2 2110-EE	1012
1957-59	272",292" ENG	R-1371A,-1A,-2A,R-1412A,-1A,R-1604A,R-1605A, -1A,R-1606A,-1A,R-1769A,-1A,R-1770A,-1A, R-1771A,-1A,R-1772A,-1A,R-1974A,AAS	H-2 2300-C	1011
1959-64	260" FRONTENAC, 272",292" ENG	R-1835A,R-1836A,R-1837A,AS,AAS,R-1866A, R-1868A,R-1929-1AAS,R-2011A,-1A,R-2012A, AS,-1A,-1AS,R-2013A,AS,-1A,-1AS,R-2233A, R-2234A,AS,R-2235A,AS,R-2487A,R-2488A,AS, R-2489A,AS,AAS	H-2 2300	1017
1963-64	292" ENG	C3TF-9510-H,J,K,C4TF-AE,AH,AJ,BM,BR,BS, C8PF-A	F-2 2100	1020
1963-64	292" ENG (CANADA)	C4TF-9510-G,H,J	F-2 2100	1020
1964	292" ENG	C6PF-9510-N,DOPF-AM,D1PF-CA	F-2 2100	1020
1964-70	330" ENG	R-4476A,AAS	H-2 2300	1017
1964-71	330" ENG	C4TF-9510-AK,BN,C6TF-A,C7TF-J, C9TF-A,D0TF-A,D1TF-AA	F-2 2100	1020
1965-67	352" ENG	R-4014A,AAS,R-4015A,AAS,R-4025A, AAS,R-4032A,AAS	H-2 2300	1017
1965-67	352" ENG	C5TF-9510-B,C,Y,Z,C6PF-L,C6TF-C,R,S,T, C7TF-E,F,G,H,AH,C8PF-B,C8UF-L,C9UF-B, DOPF-AJ,D1PF-AA	F-2 2100	1020
1965-70	289",302",390",429" ENG	R-4643AAA,-1AAA,-1AAS	H-2 2300	1017
1968	390" ENG (CANADA)	C8TF-9510-AG,AH	F-2 2100	1020
1968-69	302",360",390" ENG	R-4477A,AAS	H-2 2300	1017
1968-69	360",390" ENG	C8TF-9510-Y,Z,AB,AD,AE,AY,AZ,C9TF-J,K, D2PF-PA	F-2 2100	1020
1968-71	392" ENG	C8PF-9510-B,C8TZ-AF,C8UF-H,J,L,C9UF-A,B, D0TF-Y,Z,AA,DOUF-B,C,E,D1TF-CA,EA,AMA, ANA,APA	F-2 2100	1020
1969-71	ECONOLINE, 302" ENG	C8TF-9510-AF,D0TF-Y,Z,AA,DOUF-B,C,E, F,G,D1UF-AA,CA,DA,FA,SA	F-2 2100	1020
1970-71	302",360",390" ENG	R-6221AAA,-1AAA	H-2 2300	1017
1970-71	360",390" ENG	D0TF-9510-B,C,M,N,R,S,AB,AC,AD,AE, AF,AG,DOPF-AH,D1PF-BA,D1TF-HA,LA, NA,TA,AHA,AJA,AKA,ALA,ARA	F-2 2100	1020
1970	351" ENG	R-4643AAA,-1AAA,-1AAS	H-2 2300	1017

MAKE YEAR	ENGINE & MODEL	CARBURETOR NUMBER	MFG CODE & MODEL	KIT NO.
FORD TRUCK 8 CYL - CONTD				
1971-79	302",330",351",400" (REPL CARB)	R-6470AAA,R-7508AAA,R-8223A,R-8226AAA, R-8227A,AAA,R-8228AAA,R-9954AAA, R-80001A,AA,-1,A,R-80003A,AAA, R-80011A,AA	H-2 2300	1017
1972	302",330",360",390" ENG	D2PF-9510-KA,LA,MA,NA,D2TF-AA,BA,CA,DA, DB,EA,EB,FA,FB,FC,GA,HA,HB,JA,KA,TA,UA, D2UF-AA,BA,CA,DA,EA,HA,JA,KA,LA,MA,PA	F-2 2100	1020
1973	F300, 302" ENG 302",330" ENG	D3UF-9510-YA D3PF-HA,HB,LA,D3TE-AA,D3TF-BE,CE, D3TE-AC,D3TF-NA,BC,BD,D3TF-CC,CD,YA, D3UF-AC,AD,CC,CD,DC,EC,D3UF-FC,GC, D3UF-RA,SA,TA,YA,D3PF-JA,D3TF-AB	F-2 2100	1020
	330" M/D ENG W/VELOCITY GOV, H/D ENG	D4PE-NA	F-2 2100	1020
	360" ENG	D3TF-DC,D4PF-BVA,CBA	F-2 2100	1020
	360",390" ENG	D3PF-KA,KD,MA,D3TF-DD,DE,GC,HC,MB, D3TF-MC,MD,ME,SA,UA,VA,XA	F-2 2100	1020
1973-74	302" ENG	D4PE-9510-AYA,BAA,BBA,BCA,D4TE-AZA, CAA,D4UE-UA	F-2 2100	1020
1973-74	460" ENG (REPL CARB)	R-7413AAA	H-4 4160C	2060
1973-75	360" ENG	D4PE-9510-SA	F-2 2100	1020
1974	302" ENG	D4PE-9510-KA,RA,AZA,BDA,D4TE-EA, LA,V,D4TF-KA	F-2 2100	1020
	302" ENG ECONOLINE	D4UE-BA,FA,GA,HA,JA,D4UF-AA,BA	F-2 2100	1020
	302" ENG ECONOLINE VAN	D4UE-CA,DA,EA	F-2 2100	1020
	330" M/D ENG W/VELOCITY GOV	D4TE-DA	F-2 2100	1020
	330" H/D ENG W/GOV	D4TE-DB	F-2 2100	1020
	360" ENG	D4PF-PA,SA,ZA,BEA,D4TE-GA,HA,JA, D4TE-SA,TA,D4TE-ADA,AFA,BAA,D4TF-DA	F-2 2100	1020
	360" ENG F100	D4PE-BFA	F-2 2100	1020
	360" ENG F250/350	D4PE-BGA	F-2 2100	1020
	360",390" ENG F100	D4PE-BFB	F-2 2100	1020
	390" ENG	D4PE-PA,SA,D4TE-HA,JA,RA	F-2 2100	1020
1974-75	330" M/D ENG	D4TE-9510-DB	F-2 2100	1020
	W/VELOCITY GOV 330" HD ENG	D4TE-DB	F-2 2100	1020
	390" ENG	D4TE-HA,JA	F-2 2100	1020

**GMC TRUCK
4 CYL**

1964-66	VAN 153" ENG	3379S,SA,SB,3402S,SA,SB,SC	C-1 YF	2020
---------	--------------	----------------------------	--------	------

6 CYL

1928-33	T18	F2110 (23-26)	S-1 EX-22	2119
1936-41	213",223",229",257",286",331",400" 426",451",529" ENG T14-33,H,F18, T155S,PG2901,03,TG3201,3601,02, 03,731,33,38,39,4409,4929,30 (INCLUDES BUS & U.S. ARMY 4x2, 6x6)	7486,91,92,94,7612,8191,8320,21,8440,41, 51,8527,94,8631,8703,04,51,52,8812,73,8911, 9086,9243,74,75,94,9410,9502,96,9631,9799, 9926	Z-1 20/23	2126
1936-61	216",223",228",229",236",239", 248",256",257",270",278",286", 308",361",426" ENG T14-33,AC,K, R,S,T,W,X,CC,KW,KWX,S,W,DUK, F,FC,S,FM,V,FV,HC,S,HV,HMV,PG,			

MAKE YEAR	ENGINE & MODEL	CARBURETOR NUMBER	MFG CODE & MODEL	KIT NO.
GMC TRUCK 6 CYL - CONTD				
	100-9700 MODEL SERIES	S616,S971,8518,8519,8533,8534,8535,8539, 8686,8811,8821,9018,9019,9020,9030,9031, 9032,9036,9038,9040,9041,9042,9043,9044, 9045,9046,9048,9050,9051,9052,9060,9074 9077,9082,9149,9241,9293,9428,9429,9445, 9453,9454,9472,9489,9508,9565,9579,9580, 9778,9829,9866,9867,9868,9890,9894,9899, 10342,10527,10528,10529,10829,10831, 10898,10899,10920,11147,11148,11377, 11440,11441,11442,11503,11576,11577,11578 11579,11618,11658,11659,11742,11743,11779, 11780,11781,11851,11852,11853,11854,11855, 11856,11963,11964,11965,11966,11967,11968 11968,12027,12057,12058,12059,12219,12488, 12489,12496	Z--1 28/228	2088
1939-42	228",248",270" 2101,02,05,2701, 03,06,3101	9436,9666,9915	Z-1 28	2088
1940-43	216" MILITARY	518SA	C-1 W1	2015
1941-42	248" ENG, CC400,450,CC500,550 W/GOV	9870,9871,9872	Z-1 28	2088
1950-55	318",360" ENG,HC-520,-600, -620,-700,-770,HCR,HGS,-520 426" ENG, HC,HCR-640	R-532A,-1A (2192602), R-923A (2307888)	H-2 852 FFG	2106
	503" ENG HC-640,-850,PGA 330 MILITARY BUS	R-619A (2193393),R-924A (2307889) R-626A (2193815), R-720A (2192598), R-925A (2307890)	H-2 852 FFG	2106
1951-55	302" ENG 2 1/2 TON MILITARY	R-683A,-1A,-2A (2194226)	H-2 885 FFG	2127
1955-58	360,426 ENG,600,620-42,630-42 SERIES	R-1034A (2331832),R-1035A (2331834), R-1051A (2331833) R-1052A (2331835)	H-2 852 FFG	2107
	V-324 ENG, 550 SERIES	R-1071A (2331839),R-1073A (2331840)	H-2 852 FFG	2107
	503 ENG, 660 SERIES	R-1259A (2345113),R-1260A (2345114) R-1411A (2356552)	H-2 852 FFG	2107
1956	V-324 ENG, 550,650 SERIES	R-1251A,AS (2343140)	H-4 4000G	2105
1956-59	302" ENG	23-109,23-110,23-111,23-112	S-2 WW	2023
1957-58	V-370 ENG, 550,600 SERIES	R-1500A,-AAS (2359476),R-1691A,-AAS (2367336),R-1768A,-AAS (2371941)	H-4 4000G	2105
1960-64	305" C,D,E, 351" ENG, A,B,E,K, L,S,V, 4000 & 5000 SERIES	23-120,A,B,23-121,A,B,23-122,A,B, 23-123,A,B,23-124,A,B,23-130, 23-133,A,23-135,A,23-137,A,23-138, A,23-139,23-140,23-142,23-151,A, 23-152,A,23-177	S-2 WW	2023
1964-65	VAN 194",230: ENG	3821S,SA,3975S,3976S,4043S,4044S,SA, 4145S,SA	C-1 YF	2020
1964-69	351,351C, 401M ENG	23-159,23-163,23-164,23-165,23-166, 23-168,23-175,23-182,23-190,23-200, A,23-204	S-2 WW	2100
1965	SERIES P1500,P2500	7023011	R-1 B	2046
1966	230" ENG	7026017	R-1 B	2046
1965-69	305C,E,351 ENG	23-160,23-161,23-176,23-181,23-183, 23-195,A,23-196,A,23-203,23-206, 23-208,23-209	S-2 WW	2099
1966-67	250",292" ENG	7024009,7026011,029,7027009,011, 029,7037009	R-1 B	2046
1969	305" C,E, 351" ENG CM/KM 1500, 2500,3500	23-221	S-2 WW	2100
1969-71	305C,E,351C ENG	23-224,23-225,23-226,23-227,23-230, 23-231,23-235,23-236,23-241	S-2 WW	2101
1972-73	305",351",379" ENG	23-244,23-248,23-257	S-2 WW	2102
1973-74	478" ENG	23-264	S-2 WW	2102

MAKE YEAR	ENGINE & MODEL	CARBURETOR NUMBER	MFG CODE & MODEL	KIT NO.
GMC TRUCK				
8 CYL				
1955-59	288",316",336",347" ENG	23-106B,23-107A,23-108A,23-113, 23-116	S-2 WW	2023
1955-67	265" 283" ENG	4479S	C-2 WGD	2040
1958-62	283" ENG (INCL CANADA)	7012035,047,7012453,455,7013009, 011,7015015	R-2 2G	2019
1963-64	305,E ENG,E1000,2500,3500,B, BV1000,1500,2500,3500,K1000,1500, L4000	23-153,A,23-158,A	S-2 WW	2103
1968	427" ENG	17054916	R-4 4MV	2068
1968	396" ENG 1/2-3/4 TON (INCL CANADA)	7028217	R-4 4MV	2062
1968	327",350" ENG (INCL CANADA 327" ENG SERIES 100 THUR 9300)	7028123,7028213	R-4 4MV	2063
1968	307" ENG (INCL CANADA) 1/2 TON	7028100,105,106,7028125	R-2 2G	2019
1968	307" ENG (INCL CANADA) 3/4	7028107,111,127	R-2 2G	2019
1968	327" ENG SERIES 500,9600 (INCL CANADA) VAC. GOV.	7020109	R-2 2G	2019
1968-69	307" ENG 1/2, 3/4 TON	7028100,105,106,111,125,127,7029125	R-2 2G	2019
1969	396" ENG	7029214	R-4 4MV	2068
1970	396" ENG	7040206,7040509	R-4 4MV	2068
1970	400" ENG CANADA	7040206	R-4 4MV	2068
1970	350" ENG CANADA	7040208	R-4 4MV	2069
1971	402",454" ENG	17054917	R-4 4MV	2068
1972	402" 454" ENG	17054918	R-4 4MV	2068

12 CYL

1960-62	702" ENG B,BW,L,LW 7000,9000 (2 CARBS)	23-126,23-143	S-2 WW	2023
---------	---	---------------	--------	------

GRAHAM-PAIGE 6 CYL

1928	---	103S,115S	C-1 BRASS BL	2051
1934	68	A-17752 (9-2)	S-1 EX-22	2119
1935	73,74	A-18102 (9-5),A-18112 (9-11)	S-1 EX-22,23	2119
	74	A-18142 (9-18A)	S-1 EXV-2	2119
1935	72	A-17751 (9-4)	S-2 EE-14	2039
1940	107,108	472S,473S	C-1 WA-1	2011
1940-41	HOLLYWOOD 109 SUPERCHARGED	488S	C-2 WDO	2028

8 CYL

1934-35	69,75	A-17743 (9-3)	S-1 EX-32	2119
---------	-------	---------------	-----------	------

HALL-SCOTT TRUCK 6 CYL

1955-56	590 ENG	R-1067A (409502)	H-4 2140G	2105
1955	590	R-480-1HAS (408699)	H-2 885-FFG	2127

HUG TRUCK 6 CYL

1936-42	WAUK, BUDA ENG 12D,15A,D,T,19A, D,T,W,23A,S,T,W,42A,T,W,43,83W, 85W,87Q,W	S200,S255,S533,S842,7540,8325,37,8460	Z-1 20/23	2126
---------	---	---------------------------------------	-----------	------

MAKE YEAR	ENGINE & MODEL	CARBURETOR NUMBER	MFG CODE & MODEL	KIT NO.
HUG TRUCK 6 CYL - CONTD				
1939-48	WAUK. ENG 42W,87W	S942,10485	Z-1 28	2088
HUDSON 6 CYL				
1934-39	6-8,92	J-5444	S-1 BXOV-2	2037
		J-5481	S-1 BXOV-25	2037
1935	GH	309S	C-1 W1	2084
1936	63	329S	C-1 W1	2084
1937-38	73,74,75,76,77,83,84,85,87 93,95,97	344S,377S,402S	C-2 WDO	2055
1938-39	112	411S,417S	C-1 WI	2084
1938-40	112 & 40 TRAVELER	380532 (22-14)	S-1 BXV-2	2037
		380533 (22-15)	S-2 BXV-25	2037
1939	92,98,112	397S,437S,438S	C-1 W1	2084
1939-40	41,43,93	430S,SV,461S	C-2 WDO	2028
1940-42	10,20,40	454S	C-1 WA-1	2038
1941-42	11-12-13,21-22	501S	C-2 WDO	2028
1941-42	10 & 20 TRAVELER, DeLUXE	380748 (22-16)	S-1 BXV-2	2037
		380749 (22-17)	S-1 BXV-25	2037
1946-47	51-52-58,171-172-178	501S	C-2 WDO	2028
1948-49	481-482,491-492	647S	C-2 WDO	2028
1948-49	481,482,491,492, EXPORT R.H. DRIVE	667S,SA	C-2 WDO	2028
1950-51	SUPER SIX 501, 5A	776S	C-2 WGD	2005
1950-52	COMMODORE SIX 502, 6A, 6B	776S	C-2 WGD	2005
1950-53	500,50A,4A,4B,4C	380297 (22-20)	S-1 BXUV-35	2037
1950-56	PACEMAKER 500, 4A,B,C PACEMAKER DELUXE 50A, WASP 4D (2 CARBS) HORNET 7B,C,7D, 35560, 35660	749S,755S 968S,2113S	C-1 WA-1	2013
1951-53	HORNET SIX 7A, 7B, 7C,WASP 5B SUPER WASP 5C	776S	C-2 WGD	2005
1952-54	4C,5B,5C,5D WASP, SUPER WASP 1C JET, 2C SUPER JET	990S,2009S,SA,2114S	C-1 WA-1	2124
1953-56	1C JET, 2C SUPER JET	2013S	C-1 WA-1	2125
1954	HORNET 7D, SUPER WASP 5D	2115S	C-2 WGD	2005
1955	RAMBLER	2014S	C-1 YF	2108
1955-56	HORNET	2252S	C-2 WGD	2040
8 CYL				
1934	LL,LT,LTS	282S,299S	C-1 W1	2084
1935	HT,UT,HHU	310S	C-1 W1	2084
1936	64,65,66,67	330S	C-1 W1	2084
1937-38	73,74,75,76,77,83,84,85,87 93,95,97	344S,377S,402S	C-2 WDO	2055
1939-40	95,97	430S,455S	C-2 WDO	2028
1941-42	14-15-17,24-25-27	502S	C-2 WDO	2028
1941-47	ALL 8 CYL MODELS	380198 (22-19)	S-2 AAV-26	2007
1946-47	53-54,173-174	502S	C-2 WDO	2028
1948-49	483-484,493-494	648S	C-2 WDO	2028
1948-49	483-484-493-494 EXPORT R.H. DRIVE	668S	C-2 WDO	2028
1950	SUPER EIGHT 503	773S	C-2 WGD	2005
1950-52	COMMODORE EIGHT 504,8A,8B	773S	C-2 WGD	2005
1955-56	HORNET	2231S,SA	C-2 WGD	2040
1957	HORNET, 35780	2593S,SA	C-4 WCFB	2057

MAKE YEAR	ENGINE & MODEL	CARBURETOR NUMBER	MFG CODE & MODEL	KIT NO.
HUPMOBILE				
6 CYL				
1933	321	258S	C-1 W1	2015
1934-35	J.D.-518,W	A-17533 (19-1A),A-17593 (19-2)	S-1 EX-32	2119
1934-35	T,O	A-17832 (19-3)	S-2 EE-22	2041
1935-36	D-518,618-G	316S,333S	C-1 W1	2015
8 CYL				
1935-36	0-521,621-N	317S	C-2 WDO	2055
INDIANA TRUCK				
6 CYL				
1932	---	F3834 (30-22),A-16593 (30-3)	S-1 EX-32	2119
1936-40	HERC., CONT. ENG 84,86,S,87, 12X4,14X4,16X4	7745,54,8346,79	Z-1 20/23	2126
INTERNATIONAL TRUCK				
6 CYL				
1933-36	C35,B4	F2962	S-1 EX-22	2119
1937-40	FAB3,241,259,FBB298,361,401,450, A,HD174,213,A,232 ENG C15,30,35,40, D2,15,D,DS30,35,B,40,50,185T,216T 300,DR50,D,DR60,70,D246,F,T,346F, T,DR426F	7959,60,61,62,63,87,8011,57,8419,20,52,55, 71,8542,87,8708,9285	Z-1 20/23	2126
1938-47	FB,FBC,GRD ENG. K1-10 MODEL SERIES	9034,9765,9814	Z-1 28	2088
1938-61	BLD,FA,FB,FAB,FAC,FBB,FBC,GRD, HD,SD,RED SERIES ENG. C1-30,D/DR 2-70,DR426F,K/KB/KR 1-11,KR12F,QK-7M MODEL SERIES	S493,A,B,S796,S1058,A,S1093,A, S1594,8587,9015,9311,A,B,9438,A-D, 9439A-D,9440,A-E,9459,A,B,9460,A,B, 9461,A,B,9473A-C9475A,B,9483,A,9510, A,B,9515,9516,A-C,9583,A,B,9584,A-E, 9585,A-C,9586,A,B,9587,A-C,9588,A-C, 9604,A,B,9624,A,B,9625,A-E,9633,A-E, 9635,A-C,9677,A,B,9679,A-E,9680,A-D, 9681,A-C,9701,A-C,9702,A-C,9703,A-D, 9704,A-C,9708,A,B,9709,A,B,9714,A,B, 9715,A,B,9716,A,B,9717,A,B,9765,A-D, 9798,A,B,9800,A,B,9811,A-D,9873,A-C, 9874,A-C,9875,A-C,9876,A-C,9956,A-B, 10111,A-B,10210,A,10371,A,B,10372,A, 10451,10452,10453,A,10454,A,10455,A, 10666,10728,10738,A,10794,A,10795,A, 10821,10911,11348,11690	Z-1 28/228	2088
1940-41	D-3H,D-30,D-30B,D-30D,D-30L, D-35B,DS-30,DS-30B,DS-30L, DS-35B,D-186T,D-186TH,D-186TL, D-186T,DS-186TH	380149 (32-28)	S-1 BXV-2	2037
1940-49	D-2,D-3,D-15,K-1,K-2,K-3,K-4, KB-1,KB-2,KB-3	380183 (32-38)	S-1 BXV-2	2037
1941-49	K-1,K-2,K-3,K-4,K-5 KB-1,KB-2,KB-3,KB-4KB-5	615S,SA,SB,SC,SS,656S,SA,700S	C-1 BBR1	2091
1941-53	K-6,K-7,KB-6,KB-7,L170,L171,			

MAKE YEAR	ENGINE & MODEL	CARBURETOR NUMBER	MFG CODE & MODEL	KIT NO.
--------------	-------------------	----------------------	---------------------	------------

INTERNATIONAL TRUCK 6 CYL - CONTD

	L172,L173,L174,L175,LF170,LF171, LF172,L180,L181,L182,L183,L184, L185,R170	617S,SA,686S,SA,980S	C-1 BBR1	2091
1941-54	GRD214,233,BLD250,269, K&KB-1,-2, -3,-4,-5,-6,-7	R-328A,R-332A,R-337A,R-385A,R-386A,R-392A: R-414A,R-415A,R-502A,R-520A,R-527A,R-528A, R-799A	H-1 847F/FS	2128
1942-49	K-5,KB-5,KBS-5,K-6,K-7,KB-6, KB-7	380184 (32-29),380185 (32-40)	S-1 BXOV-2	2037
1948-58	RED 318,361,372,401,450 K-8,10,11, L-85,190,193,194,LC-190	R-297-2A,R-299-1A,R-300-2A,R-308A,R-327A R-334A,R-335A,R-356-1A,R-357-1A,R-358-1A, R-369A,R-370A,R-371A,R-372A,R-544A,R-545A, R-552A,-1A,R-565A,R-605A,-1A,R-628A,-1A, R-653A,R-672A,R-902A,R-945A,R-1487A-1A,- 2A,-3A,R-1488A,-1A	H-2 AA-1G, 2100G	2129
1950-53	SD-220 ENG,L-110,-111,-112,-120, -121,-122,-130,-131,-132,-150, -151,-152,-153,-165,LB140,LC160 SD-240,R-180,R-184	735S,SA,736S,SA,SB,740S,SA,SB, 741S,SA,SB,879S	C-1 YF	2020
1950-75	RD406,RD450 ENG	R-595A,-1A,-2A,R-596A,-1A,-2A, R-629A,-2A,R-630A,-2A,R-631A, R-712A,R-772A,R-966A,-1A,1A,1AS, R-967A,R-2660-1A,-2A,R-2691A,-1A R-3019A,R-4329A,-1A,R-4330A,-1A R-6398A,-1A,R-6438A,R-6806A, R-6833A	H-2 852FFG	2106
1952	L,LC-160	939S	C-1 YF	2020
1952-54	RD-406", -450" ENG,I-190,L-190,194, 195,200,204,210,LC-210,LF-190, R-190,-194,-195,-200-204,210,R-200, -204,-205,RC-190,-200,RF-190,-210	R-766A,AAS,1A,-1AAS,R-767A,-1A,AS,-1AAS, R-797A,R-798A	H-2 885 FFG	2127
1954-75	RD 372, RD406 ENG	R-938-1A,-2A,-3AAA,R-939A,-1A,-2A, R-958A,R-959A,R-1461A,R-1716A, R-2692A,-1A,R-3018A,R-4327A,-1A, R-4328A,-1A,R-6397A,-1A,-2A,R-6437A, R-6437-1A,R6625A,-1A,R-6804A,R-6805A	H-2 885.FFG	2104
1954-75	RD-450,RD-501,RD-510 ENG	R-864A,-1A,-1AAS,R-977A,R-3020A, R-4334A,-1A,R-4335A,-1A,R-4336A, R-4344A,-1A,R-6399A,-1A,-2A,3A, R-6439A,1A,-2A,R-6672A,AAA,R-6807A, R-6834A,AAS,R-6851A	H-4 2140G	2105
1955	BD-264 R-160,-1700	R-1043A,R-1054A	H-2 1901-FF	2130
1957-58	264" ENG, BD "A" LINE	R-1389A,-1A,R-1433A,-1A,R-1565A, -1A,R-1812A,AS,AAS,172956-R91, 174085-R91,187182-R91,212821-R91	H-2 2110-FF	1012
1969-71	BD-308 ENG	R-4326A,-1A (379486-R1)	H-2 2110G	2129

8 CYL

	V-266 ENG B-100,110,120,130,150, 153,163,BC-150,160	R-1710-1A,-2A,-3A,-4AAS,R-2582A,-1A	H-2 2300	1017
---	V-304 ENG B-160,163,170,173, BC-170,BCF-170	R-1710-4AAS,R-1711-1A,-2A,R-2583A,AS R-2977A	H-2 2300	1017
1954-76	V-401,V-478,VS-478,V-549,UV-549, FTV-549,VTV-549,VS-549 ENG	R-987A,-1A,-2A,R-1348A,-1A,R-1967A,		

MAKE YEAR	ENGINE & MODEL	CARBURETOR NUMBER	MFG CODE & MODEL	KIT NO.
INTERNATIONAL TRUCK 8 CYL - CONTD				
		R-1968A,R-2361A,R-2406A,-1A, R-2407A,R-2408A,R-2460A,R-2461A,-1A, -2A.R-2486A,-1A,-2A,R-2634A,-1A, R-2669A,1A,R-2702A,-1A,R-2760A,-1A, R-2869-1A,R-3023A,R-3448A,R-3518A, -1A.R-3666A,R-3914A,-1A,R-4337A,R-4338A, R-4339A,-1A,R-4340A,R-4341A,R-4342A, R-4343,R-4633A,R-4634A,-1A,-2A,-3A,-4A, R-4635A,-1A,-2A,R-2AAS,R-4636A,-1A, -2A,-3A,-3AAS,R-6313A,-1A,-2A,-3A, -3AAS,R-6314A,-1A,-2A,-3A,-4A,R-6315A, -1A,-2A,-3A,R-6626A,-1A,R-6627A-1A,AAS, R-6672AAA,R-6808A,R-6809A,R-6810A, R-6811A,R-6812A,R-7109A,R-7412A	H-4 2140G	2105
1955-75	V-401,V-461,V-478,VS-478,V-549 ENG	R1056-1A,-2A,-3A,R-1057-1A,-2A,-3A, R-1985A,-1A,R-2326A,R-2389A,R-2409A, -1A,-2A,R-2410A,-1A,-2A,R-2575A,-1A, -2A,-2AAS,-3A,-3AAS,R-2576A,-1A,-2A, -3A,-3AAS,R-3021A,R-3022A,AAS,R-3086A -1A,-1AAS,R-3160-1A,-1AAS,R-3164A, R-3165A,R-3166A,AAS,R-3167A,R-3720A, R-3963A,R-4331A,AAS,R-4332A,AAS, R-4333A,AAS,R-4377A,-1A,-1AAS, R-4378A,-1A,-1AAS,R-4438A,AAS, R-4679A,R-6842A	H-2 852 FFG	2107
1964-70	V-266, 304 ENG	R-2520A,-1A,-1AAS,-2A,-3A,-3AAS R-2976-1A,-2A,R-2977-1A,-1AAS, R-2977-2A,-2AAS,R-3502-2A	H-2 2300	1017
1964-70	V-226, 304 ENG	R-3502-2A,-2AAS,R-3503A,-1A,-1AAS,2A, -2AAS,R-3551A,AAS,-1A,-1AAS,R-3552A, AAS,-1A,-1AAS,R-3649-2A,-3A,R-3679-1A, -3AAS,R-3863A,AAS,-1A,-1AAS,R-3864A, AAS,R-3867-1AAS,R-3865A,AAS,-1A,-1AAS, R-3866A,AAS,-1A,-1AAS	H-2 2300	1017
1967-70	V-304, 304E ENG	R-1710-5AAS,R-2978-1A,-2A,R-3855A, AAS,-1A,-1AAS,R-3867A,AAS,-1A,-1AAS R-3868A,AAS,-1A,-1AAS,R-3869A,AAS, -1A,-1AAS,R-3991A,-1A,-1AAS,R-4078A, -1A,-1AAS,R-4079A,-1A,-1AAS,R-4080A, -1A,-1AAS	H-2 2300	1017
1967-70	V-345, 345E ENG	R-3870A,AAS,-1A,-1AAS,R-3872A,AAS, -1A,-1AAS,R-4081A,-1A,-1AAS,R-4082A -1A,-1AAS,R-4083A,-1A,-1AAS,R-4084A -1A,-1AAS	H-2 2300	1017
1968	UV-549 ENG	R-3914A,-1A	H-4 2140	2105
JEEP SEE WILLYS				
KAISER-FRAZER				
4 CYL				
1951-54	HENRY J	820S	C-1 YF	2020
1961-67	JEEP,MAIL TRUCK R.H. DRIVE, FJ- 3,-6,FLEET VAN FJ-3,-3A,-6,-6A	3200S	C-1 YF	2020
6 CYL				
1947	(LIMITED PRODUCTION) K-100 CUSTOM, F-47 MANHATAN	574S	C-1 W1	2001

MAKE YEAR	ENGINE & MODEL	CARBURETOR NUMBER	MFG CODE & MODEL	KIT NO.
--------------	-------------------	----------------------	---------------------	------------

KAISER-FRAZER 6 CYL - CONTD

1947-48	FRAZER	382087 (266-2)	S-1 BXOV-25	2037
1947-48	F-47,F-47C,F-485,F-486	622S,SA,SB	C-1 WA-1	2011
1947-49	K-100,KC-101,K-481,K-482,K-491	622S,SA,SB	C-1 WA-1	2011
1947-49	K-100,K-481,K-491	380287 (266-2)	S-1 BXOV-25	2037
1948-49	FRAZER MANHATTAN F-486,F-496, FRAZER F-495, FRAZER DELUXE K-492	685S,SA	C-2 WCD	2056
1949-50	FRAZER MANHATTAN F-496,F-506, FRAZER F-495,F-505, KAISER DELUXE K-492,K-502	723S	C-2 WCD	2056
1951	FRAZER F515,F516	813S	C-2 WGD	2005
1951-52	KAISER K511,K512,K521,K522	781S	C-2 WGD	2005
1951-54	HENRY J. DARRIN 161	814S,833S,924S,2071S,2094S	C-1 YF	2020
1953	KAISER HARDTOP DRAGON K530, DELUXE K531,MANHATTAN K532	999S,2052S,SA	C-2 WGD	2005
1954	KAISER DELUXE K541, MANHATTAN K542,SPECIAL K545	999S,2052S,SA	C-2 WGD	2005
1954-55	KAISER MANHATTAN K542 (WITH SUPER CHARGER)	2146S	C-2 WCD	2006
1956	JEEP-226" ENG,4WD,2WD STATION WAGON,UTILITY PANEL,4WD TRUCK FC-170 FORWARD CONTROL JEEP TRUCK	2467S	C-1 YF	2020
1966	JEEP 225" ENG	7025149	R-1 B,BC,BV	2046

KENWORTH TRUCK 6 CYL

1941-48	HERC. JXD,WXLC3,WAUK. 6BZR	S134,S135,S387,S10241	Z-1 28	2088
---------	----------------------------	-----------------------	--------	------

LAFAYETTE 6 CYL

1939	3910	A-18471 (8-30C)	S-2 EE-1	2039
1940	4010	458S	C-2 WDO	2028

LANCER 6 CYL

1960-61	170" ENG, RW1	3083S	C-4 AFB	2076
---------	---------------	-------	---------	------

LARK 8 CYL

1963-64	V,259",289" ENG	3506S,3540S,3589S,3726S	C-4 AFB	2086
---------	-----------------	-------------------------	---------	------

La SALLE 8 CYL

1934	350	A-17782 (11-1)	S-2 EE-23	2041
1935	350-2	A-17771 (11-2)	S-2 EE-15	2039
1936	36-50	A-17801	S-2 EE-15	2039
1937	37-50	A-18352 (205-1)	S-2 AA-25	2008
1937-39	322,37-50,38-50,39-50 W/REPL CARB	460S	C-2 WDO	2028
1937-39	322,38-50,39-50	374S,392S	C-2 WDO	2055
1939-40	39-50,40-50,50-52	423S,460S	C-2 WDO	2028

MAKE YEAR	ENGINE & MODEL	CARBURETOR NUMBER	MFG CODE & MODEL	KIT NO.
LINCOLN				
8 CYL				
1949-51	---	R-496-1A,R-587AS,R-597AS	H-2 885	1009
1952	---	R-663A,R-728A,-2A	H-2 1901	1008
1953-54	---	R-771-1A,-2A,-3A,R-891-AS,1A,-2A,-2AS, -2AAS	H-4 2140	1023
1955	341" ENG	R-992-1A,R-1076A,-1A,-2A,2AAS	H-4 4000	1010
1956	368" ENG	R-1094-1A,-2A,-3A,-4A,-4AAS	H-4 4000	1010
1957	CAPRI, PREMIERE,CONTINENTAL MK II	2404S,SA	C-4 WCFB	2057
1958-59	430"	R-1740-1A,R-1850A,AAS	H-4 4160	2060
1959	430" ENG	2853S	C-4 AFB	2045
1960	430" ENG (INCL EXPORT)	2992S	C-4 AFB	2045
1960-61	430" ENG	R-1864-1AAS	H-2 2300	1017
1960	430" ENG	2965S,SA	C-2 ABD	1018
1961-62	439" ENG	3148S,3149S,3179S,3202S,3203S, 3327S,3328S,3329S,3330S,3343S	C-2 ABD	1019
1963-65	430" ENG	3521S,3522S,3523S,3524S,3928S,3929S, 3930S,3931S	C-4 AFB	2045
1966-68	462" ENG	4147S,4148S,4204S,4205S,4360S,4361S, 4362S,4363S,4562S	C-4 AFB	2045
1971-74	429",460" ENG (REPL CARB)	R-6520AAA,R-7053AAA,-1AAA	H-4 4160C	2060
1978	302" (VV REPL CARB)	R-9965A,-1AA	H-2 2300	1017
12 CYL				
1933-34	---	A-17372 (40-1)	S-2 EE-22	2041
1934	KA,KB 251 SERIES	A-17692 (40-2) A-17762 (40-3)	S-2 EE-22	2041
1935	K	A-18042 (40-4)	S-2 EE-22	2041
1935-36	H-122, H-901, ZEPHYR	A-18041 (40-11)	S-2 EE-1.97	1005
1936-37	H,HB	A-18041 (40-11)	S-2 EE-1.97	1005
1936-39	K	A-18282 (40-13)	S-2 EE-22	2041
1936-40	V-12 MODELS K, ZEPHR 901, HB 86H, 96H, ZEPHR/CONTINENTAL, 06H	380211 (40-17)	S-2 AAV-2	2007
1937-48	V-12 MODELS K, ZEPHR 901,HB,86H 96H, ZEPHR/CONTINENTAL 06H,16H, 26H, CUSTOM 168H,268H, ALL 66H, 76H, 876H	R-126-1AS,R-202-AS	H-2 AA-1, CG-2 91.99	1006
1938	86H, ZEPHYR	380139 (40-16),A-18411	S-2 EE-1.97	1005
1938	86H	A-18411 (40-16)	S-2 EE-1.97	1005
1939	96H	A-18411 (40-16)	S-2 EE-1.97	1005
MACCAR				
6 CYL				
1932	---	A-17192	S-1 EX-22	2119
MACK TRUCK				
6 CYL				
1935-37	1MA,10MA,MB,MX,20MA,MB,MX, 30MA,MB,MX,90MA,MX,MSX	303S,304S	C-1 BB	2120
1937	EJ	380S	C-1 BB	2120
1939	ED-DE	A-19202 (24-145B),380006 (24-166)	S-1 BXV-2	2037
1948-51	EN-354A,EY	R-389A	H-2 AA-1	1012

MAKE YEAR	ENGINE & MODEL	CARBURETOR NUMBER	MFG CODE & MODEL	KIT NO.
--------------	-------------------	----------------------	---------------------	------------

**MAVARICK
8 CYL**

1971	302" ENG	D1AF-9510-BA,DA,ZA,D1OF-ABA,AGA, D1ZF-AA,ADA	F-2 2100	1020
1972	302" ENG HIGH PERF.	D2AF-9510-HA,D2GF-AA,BA,D2OF-KA, D2PF-GA,D2ZF-FA	F-2 2100	1020
	302" ENG	D2AF-9510-HB,HC,D2GF-AB,AC,BB,BC, D2OF-KB,VA,D2PF-GB,D2ZF-FB,MA	F-2 2100	1020
1973	302" ENG	D3AF-9510-ABA,D3DE-AA,D3DF-EA, D3GF-AF,BB,BC,D3OF-EA,FA,JA, D3PF-EB,D3GF-AD,AE,BA,D3OF-AD. D3PF-EA,D3ZF-EA,EB,GA,NA,NB	F-2 2100	1020
1974	302" ENG	D4DE-9510-PA,RB,UA,VA,D4PE-GB,YA	F-2 2100	1020

**MERCURY
6 CYL**

1961	223" ENG	3319S,3349S	C-1 AS	2096
------	----------	-------------	--------	------

8 CYL

1939-41	90-100 HP	380076 (2-21A),A-18271 (2-21) A-18281,A-18291,A-18301	S-2 EE-1,97	1005
1939-48	90-100 HP	R-120-3A,-3AS,R-713A,AAS,59A-A, EAB-F	H-2 AA-1,2100	1006
1942-48	100 HP	380209 (2-24)	S-2 EE-1,97	1005
1949-51	239" ENG	R-493-1A,-2A,-3A,R-637-1A,R-638A, R-652A,R-679A,R-690A	H-2 885	1009
1952-53	255" ENG (INCL CANADA)	R-694A,-1A,-2A,-2AS,-2AAS,R-718A -1A,-2A,R-882A,-1A,-2A,-2AS,-2AAS	H-2 1901	1008
1954-55	256",292" ENG	R-803-5A,-6A,-7A,-7AS,-7AAS,R-804 -5A,R-957-1A,-2A,R-991-1A,-2A, R-1040A,R-1074A,-1A,-2A,-2AAS, R-1075A,-1A,-2A	H-4 2140/4000	1010
1956	MONTCLAIR, MONTEREY	2361S,SA	C-4 WCFB	1016
1956	292" ENG	R-1161A,-1A,-2A,-2AAS,R-1162A,-1A,-2A	H-4 4000	1010
1957	368" ENG TURNPIKE CRUISER	2404S,SA	C-4 WCFB	2057
1957	312" ENG	R-1272A,-1A,R-1273A,-1A,-2A,-2AAS	H-4 4150C	1022
1957	312" ENG	2441S,SA	C-4 AFB	2045
1957-58	430" ENG 3X2 CARBS	R-1673A,R-1674A	H-2 2300C	1011
1958	312" ENG	R-1779A,-1A,R-1780A,-1A	H-2 2300-C	1011
1958-59	383" ENG	EDG-9510-A,B,5751682,5751683,5752425	F-4 4100	1021
1958-62	292",312" ENG	R-1929AAS,-1AAS	H-2 2300	1017
1958-71	289",302",332",351",352",390",406", 428",429",430" ENG	R-1737-1A,R-1738-1A,R-1740-1A, R-1847A,-1A,-1AAS,R-1848A,AAS,-1A,-1AAS, R-1849AAS,R-1850A,AAS,R-2112A,AS,R-2142A, -1A,R-2143A,-1A,-1AAS R-2328A,AS,R-2599A, AS,AAS,R-2652A,-1A,-1AS,-1AAS,R-2668A, R-2804A,AS,AAS,R-2805A,AS,AAS,R-3113AAS, R-3115AAS,R-3300A,AAS,R-3301A,AAS, R-3410A,AAS,R-3411A,AAS,R-3489AAS, R-3490AAS,R-3491AAS,R-3492AAS,R-4005AAS, R-4006AAS,R-4452AAA,AAS,-1AAA,-1AAS, R-4548AAA,AAS,R-4549A,AAS,R-4550A,AAS, R-4581AAS,R-4699AAS,R-6291AAA	H-4 4160	2060
1959	430" ENG	2853S	C-4 AFB	2045
1959-60	312" ENG	R-1797-1A,R-1798-1A,R-1924A,R-2014A, R-2015A,AS	H-2 2300	1017
1959-60	383",430" ENG	R-1863A,R-1864A,-1A,-1AAS,R-2031A,		

MAKE YEAR	ENGINE & MODEL	CARBURETOR NUMBER	MFG CODE & MODEL	KIT NO.
		R-2032A	H-2 2300	1017
1959-60	383" ENG	DHMOBA,DHMOBC,5752004,5752005	F-2 2100	1020
1960	430" ENG	2992S	C-4 AFB	2045
1960-62	352" ENG	R-1806A,-1A,R-1807A,AAS,-1A,-1AAS	H-2 2300	1017
1960-64	292",352",383,390",430" ENG, MONTCLAIR, PARKLANE	2965S,SA,3082S,3316S	C-2 ABD	1018
1961	POLICE SPEC. 390" ENG	LSA1WA,LSA1XA,LSA1XB	F-4 4100	1021
1961	292" ENG	DBA1BA,DBA1BB,KBA1AA,KBA1BA,KBA1BB	F-2 2100	1020
1961-62	352" ENG	DFA1AA,DFA1BA,DFA1BB,KFA1AA,KFA1BA KFA1BB,C2AE-9510-AC,AD,AE,AF,C2AF-AE, AF,AG,AH	F-2 2100	1020
1961-63	390",406" ENG (3 CARBS)	R-2436A,AS,AAS,R-2437A,AS,AAS, R-2497AS,R-2498AS,R-2499AS	H-2 2300	1017
1961-65	390" ENG	LSA1TA,LSA1TB,C2AE-9510-AK,AL, AN,AR,AY,C2AF-T,U,Y,Z,AM, C3AF-N,R,BU,BV,BY,BZ,C4AF-DH,DJ,DK, DL,C5AF-E,H,J,K,Z,AC,AK,AN,AZ, C5AZ-AU	F-4 4100	1021
1962-63	221" ENG METEOR	R-2603AAS	H-2 2300	1017
1962-64	280" ENG (INCL CANADA) METEOR	R-1929-1AAS	H-2 2300	1017
1963	POLICE SPEC. 390" ENG	C3AF-9510-S,T	F-4 4100	1021
1963-64	352" ENG (INCL CANADA) METEOR	R-3114AAS	H-2 2300	1017
1963-64	352",390" ENG MONARCH	R-3114AAS	H-2 2300	1017
1963-65	352" ENG (CANADA)	C4AF-9510-H,BG,BH,C5AF-C,D	F-2 2100	1020
	390" ENG (CANADA)	C4MF-L,M,R,S	F-2 2100	1020
1963-67	352",390" ENG	R-3114AAS,R-3487AAS,R-3488AAS	H-2 2300	1017
1963-69	406",427",428" HIGH PERF (2 CARBS)	R-2652A,-1A,-1AS,-1AAS,R-2668A,AAS, R-2804A,AS,AAS,R-2805A,AS,AAS,R-2926A, AS,AAS,R-2927A,AS,AAS,R-3300A,AAS, R-3301A,AAS,R-3410A,AAS,R-3411A,AAS	H-4 4160	2060
1963-70	390" ENG	C3MF-9510-A,B,C,D,C4MF-A,D,E,N,T,U, C5MF-A,B,C,D,E,F,C6AF-C,AH,C6MF-A,D, J,C6PF-D,C7AF-U,V,Y,Z,AK,BE,BR,BT, C7OF-AF,C8AF-M,N,AM,AN,AZ,BA,C8PF-U, C9AF-B,C,J,C9MF-A,DOAF-G,H,J,S,Y,Z, AA,AR,AS,AT,D1MF-FA,D1MY-FA	F-2 2100	1020
1965	390" ENG	C5AF-9510-AU	F-4 4100	1021
	POLICE SPEC. 390" ENG	C5AF-AD,AE,AR,AS,AT,BA,C6PF-H	F-4 4100	1021
	390" ENG (CANADA)	C6PF-H	F-4 4100	1021
1965-70	352",390",429" ENG	R-4643AAA,-1AAA,-1AAS	H-2 2300	1017
1966	352",390" ENG, HIGH PERF (3 CARBS)	R-3208A,AAS	H-2 2300	1017
1966	289" ENG (2 CARBS)	R-3360A,AAS,R-3361A,AAS	H-4 4160	2060
1966	390" ENG, HIGH PERF GT	R-3530A,AAS,R-3557A,AAS,R-4742AAA	H-4 4150C	2061
1966	410" ENG	C6AF-9510-F,AB,AC,C6MF-B,C,E,F	F-4 4100	1021
	428" ENG	C6AF-9510-E,F,G,H,AB,AC,AD,AE,C6MF-B,E	F-4 4100	1021
1966-68	POLICE SPEC. 428" ENG	C6AF-9510-J,K,AF,AG,C7AF-AM,AR,C8AF-AE, BG	F-4 4100	1021
1966-69	390",428",429", ENG HIGH PERF	R-3530A,AAS,R-3557A,AAS,R-4129A,AAS, R-4456AAS,R-4742AAA	H-4 4150	2061
1968	390" ENG	R-4439AAS	H-2 2300	1017
1968	390" ENG (CANADA)	C8AF-9510-T,U,AH,AJ	F-2 2100	1020
	428" ENG	C7AF-9510-AM	F-4 4100	1021
1968	289",302" ENG MONTEGO	R-4446AAS	H-2 2300	1017
1968	390" ENG MONTEGO	R-4439AAS	H-2 2300	1017
1968-69	390" ENG (CANADA)	C8OF-9510-N	F-2 2100	1020
1968-70	289",302",351",390",429" ENG	R-6855A,-1AAA,-2AAA	H-2 2300	1017
1969	428" ENG POLICE SPEC.	C8AF-9510-AE,BG	F-4 4100	1021
1970-71	429" ENG	C9AF-9510-J,Z,DOAF-J,T,AR,AS,AT,D1MF-FA,		

MAKE YEAR	ENGINE & MODEL	CARBURETOR NUMBER	MFG CODE & MODEL	KIT NO.
MERCURY 8 CYL - CONTD				
		GA	F-2 2100	1020
1971	351" ENG	D1AF-9510-XA,YA	F-2 2100	1020
	400" ENG	D1MF-LA,D1ZF-ACA	F-2 2100	1020
1971	302" ENG COMET	R-6433AAA	H-2 2300	1017
1971	351" CLEVELAND ENG COUGAR	R-6294AAA,-1AAA	H-2 2300	1017
1971	351" WINDSOR ENG, 400", 429" ENG	R-6294AAA,-1AAA,R-6433AAA,-1AAA	H-2 2300	1017
1971-74	351", 429", 460" ENG (INCL REPL)	R-6520AAA,-1AAA,R-7053AAA,-1AAA, R-7154AAA	H-4 1460	2060
1972	351" ENG	D2AF-9510-FB,FC,GB,GC,D2OF-PA,RA,UA, UB,D2PF-GA,D2WF-CA,D2ZF-KA,LA	F-2 2100	1020
	400" ENG	D2MF-CA,DA,DB,EA,EB,FA,FB,FC,FE,D2PF-HA	F-2 2100	1020
	302", 351" ENG (REPL CARB)	D4PE-EA,EB,EC	F-2 2100	1020
	351" W ENG	D2AF-FD,GD,D2PF-GB	F-2 2100	1020
	351" C ENG	D2MF-CB,D2OF-UC,D2PF-HB,D2WF-CB, D2ZF-LB,LC	F-2 2100	1020
	400" ENG	D2AF-UC,D2MF-FF,D2PF-HB	F-2 2100	1020
1973	302" ENG	D4PE-9510-CFA,CBA	F-2 2100	1020
	351" ENG	D3AF-JA,KA,NA,PA,RA,RB,UA,XA, D3WF-CA,D3ZF-FA	F-2 2100	1020
	351" C ENG	D3AF-CE,DB,DC,D3PF-FA,FB,D3WF-AC, D3AF-DB,D3MF-AD,AE,BA,D3PF-FA,FB	F-2 2100	1020
	400" ENG	D3MF-CA,DA,EA,FA,GA	F-2 2100	1020
1973	302", 351" ENG	R-6887A	H-4 4160	2060
1974	351" C ENG	D4AE-9510-CA,D4AF-EA,D4OF-DA	F-2 2100	1020
	400" ENG	D4AE-FA,GA,HB,D4ME-BA,CA, D4MF-BA,CA,D4PE-HA,HB,VB,BKA	F-2 2100	1020

**METEOR (CANADA)
6 CYL**

1963-67	170", 200" ENG	4555SA, SB, 4556SA, SB	C-1 RBS	3010
---------	----------------	------------------------	---------	------

8 CYL

1962-63	221" ENG	C2OE-9510-N,R,S,T,C2OF-N,R,S,T, C3OF-C,D	F-2 2100	1020
	221", 260" ENG (REPL CARB)	3944S, 3945S	C-2 ABD	1019
	260" ENG	C2OF-AA,AB,AC,AD,C3DF-E,F	F-2 2100	1020
1964	390" ENG	C4AF-9510-K,BJ	F-4 4100	1021
1964-65	352" ENG	C4AF-9510-H,BG,BH,C5AF-C,D	F-2 2100	1020
1964-67	289", 352", 390" ENG	C6PF-9510-D	F-2 2100	1020
1966-67	289" ENG	C5AF-9510-AH,AJ,C6AF-A,B,C7AF-N,R,AS,AT	F-2 2100	1020
1966-71	390" ENG	C6AF-9510-C,C6MF-A,C7AF-U,BR,C8AF-BB, C8OF-AE,C8PF-U,C9AF-B,C,D0AF-G,J,Y,Z, AA,AT,D1MF-FA	F-2 2100	1020
1968	390" ENG	C8AF-9510-T,U,AH,AJ	F-2 2100	1020
1968-69	390" ENG	C8OF-9510-N	F-2 2100	1020
1968-71	302" ENG	C8AF-9510-R,S,AF,C8OF-L,C9AF-A,J, D0AF-C,D,U,D1AF-BA,SA,TA	F-2 2100	1020
1969	428"	C8AF-9510-BG	F-4 4100	1021
1969-71	429" ENG	C9AF-9510-J,Z,DOAF-J,T,AR,AS, D1MF-FA,GA,MA	F-2 2100	1020
1970-71	351" ENG	DOAF-9510-E,F,J,V,AU,AV,D1AF-FA, JA,KA,D1MF-FA	F-2 2100	1020
1971	400" ENG	D1MF-9510-JA,KA,LA,D1OF-YA,ZA, D1ZF-SA,UA,ACA	F-2 2100	1020
1972		D2AF-9510-HA,D2GF-AA,BA,D2OF-KA,		

MAKE YEAR	ENGINE & MODEL	CARBURETOR NUMBER	MFG CODE & MODEL	KIT NO.
METEOR (CANADA) 8 CYL - CONTD				
	302" ENG	D2PF-GA	F-2 2100	1020
	351" ENG	D2AF-EA,D2AF-FB,FC,D2AF-GB,GC, D2OF-PA,RA,UA,UB,D2PF-GA,D2WF-CA, D2ZF-KA,LA	F-2 2100	1020
	302" ENG	D2AF-HB,HC,D2GF-AB,AC,BB,BC,D2OF-KB, D2OF-VA,D2PF-GB,D2ZF-FB,MA,MB	F-2 2100	1020
1972	351" W ENG	D2AF-FD,GD,D2PF-GB	F-2 2100	1020
	351" C ENG	D2MF-CB,D2OF-UC,D2PF-HB,D2WF-CB, D2ZF-LB,LC	F-2 2100	1020
	400" ENG	D2AF-UC,D2MF-FF,D2PF-HB	F-2 2100	1020
	400" ENG	D2MF-CA,DA,DB,EA,EB,FA,FB,FC, FE,D2PF-HA	F-2 2100	1020
1973	351" ENG	D3AF-9510-DC,JA,KA,NA,PA,RA,RB,UA, KA,XA,D3WF-CA,D3ZF-FA	F-2 2100	1020
	351" C ENG	D3AF-CE,DB,D3PF-FA,FB,D3WF-AC	F-2 2100	1020
	400" ENG	D3AF-DB,D3MF-AD,AE,CA,DA,EA,FA,GA, D3PF-FA,FB	F-2 2100	1020
	400" ENG	D3MF-AE,BA,CA,DA,EA,FA,GA	F-2 2100	1020
1974	351" ENG	D4OF-9510-FA,D4PE-HA,HB	F-2 2100	1020
	351" C ENG	D4AE-CA,D4AF-EA,D4OF-DA,D4PE-VA	F-2 2100	1020
	400" ENG	D4AE-FA,GA,HB,D4ME-BA,CA,D4MF-BA, D4MF-CA,D4PE-HA,VB	F-2 2100	1020

MONTEGO 8 CYL

1968	289" ENG	C8AF-9510-L,AF,AK,C8DF-E,F,C8OF-S, C8PF-T,C8ZF-E,G,H	F-2 2100	1020
	390" ENG	C8AF-M,AM,C8OF-J,K,U,AF	F-2 2100	1020
1968-69	302" ENG (CANADA)	C8AF-9510-R,S,AF,C8OF-L,M,S	F-2 2100	1020
	390" ENG (CANADA)	C8AF-T	F-2 2100	1020
1968-71	302" ENG	C8AF-9510-L,AK,BD,C8OF-H,C8PF-T, C8ZF-G,C9ZF-G,DOAF-C,D,U,D1AF-BA, DA,D1OF-ABA,D1ZF-AA	F-2 2100	1020
1969	302" ENG	C9AF-9510-A,T	F-2 2100	1020
	351" ENG	C9AF-J,Z	F-2 2100	1020
1969-71	351" ENG	C9OF-9510-C,C9ZF-A,DODF-J,K,L,M,T, U,V,DOZF-A,B,D1MF-KA,D1OF-PA,RA,ZA, D1ZF-SA,UA	F-2 2100	1020
1971	302" ENG	D1AF-9510-ZA,D1OF-AGA,D1ZF-ADA	F-2 2100	1020
	351" ENG	D1MF-LA,D1OF-AHA,AJA,D1ZF-ACA,AEA	F-2 2100	1020
1972	302" ENG	D2AF-9510-HB,HC,D2GF-AB,AC,BB,BC, D2OF-KB,VA,D2PF-GB,D2ZF-FB,MA,MB	F-2 2100	1020
	302" ENG	D2AF-HA,D2GF-AA,BA,D2OF-KA,D2PF-GA, D2ZF-FA	F-2 2100	1020
	351" ENG	D2AF-FB,FC,GB,GC,D2OF-JA,PA,R,UA,UB D2PF-GA,HA,D2WF-CA,D2ZF-EA,KB,LA	F-2 2100	1020
	351" C & W ENG	D2AF-FD,GD,D2MF-CB,D2OF-UC,D2PF-GB D2PF-HB,D2WF-CB,D2ZF-LB,LC	F-2 2100	1020
	400" ENG	D2AF-UC,D2MF-FF,D2PF-HB	F-2 2100	1020
	400" ENG	D2MF-CA,DA,DB,EA,EB,FA,FB,FC,FE, D2PF-HA	F-2 2100	1020
1973	302" ENG	D3AF-9510-ABA,D3DE-AA,D3DF-EA,D3GF-AD, D3GF-AE,AF,BA,BB,BC,D3OF-AD,EA,FA,JA, D3PF-EA,EB,D3ZF-EA,EB,GA,NA,NB, D4PE-CFA	F-2 2100	1020
	351" ENG	D3AF-JA,KA,NA,PA,RA,RB,UA,XA, D3WF-CA,D3ZF-FA	F-2 2100	1020
	351" W ENG	D3AF-CD,D3PF-GA	F-2 2100	1020

MAKE YEAR	ENGINE & MODEL	CARBURETOR NUMBER	MFG CODE & MODEL	KIT NO.
MONTEGO 8 CYL - CONTD				
	351" C ENG	D3AF-KA,D3PF-FA,FB,D3WF-AC	F-2 2100	1020
	400" ENG	D3AF-DB,D3MF-AD,AE,BA,CA,DA,EA,FA, D3MF-GA,D3PF-FA,FB	F-2 2100	1020
1973-74	302" ENG	D4PE-9510-CGA	F-2 2100	1020
1974	302" ENG	D4DE-9510-NB,D4OE-EA,GA,JA,D4PE-GA,GB	F-2 2100	1020
	341" 400" ENG	D4PE-HB	F-2 2100	1020
	351" ENG	D4OE-FA,D4PE-HA	F-2 2100	1020
	351" C ENG	D4AE-CA,D4OF-BA,CA,DA,D4PE-VA	F-2 2100	1020
	351" W ENG	D4AE-DA,FA,D4OF-AA	F-2 2100	1020
	400" ENG	D4AE-GA,HB,D4ME,BA,CA,D4MF-BA,CA, D4PE-HA,VB,BKA	F-2 2100	1020
MOON 6 CYL				
1926-27	6-60	74S,88S	C-1 BRASS BL	2132
MUSTANG 6 CYL				
1963-67	170",200" ENG	4555SA,SB,4556SA,SB	C-1 RBS	3010
8 CYL				
1964 ½	COBRA HI PERF 427" ENG	R-2919A	H-4 4150	2061
1964-65	260" ENG	R-1929-1AAS	H-2 2300	1017
1964-66	289" ENG (CANADA)	C4ZF-9510-D	F-4 4100	1021
1965	260" ENG	C4OF-9510-BR,BS,C4ZF-E,F,N,R, C5ZF-G,H,C6DF-A,B,C6PF-F	F-2 2100	1020
1965-66	390" ENG (CANADA)	C5AF-9510-AC,AK,AL,AU,AV,E,H,Z, C6AF-F,C6MF-B	F-4 4100	1021
1965-67	289" ENG	C4AF-9510-DJ,C4GF-AE,AF,AZ,BA,C4OF-AL AT,BT,BU,C4ZF-C,G,H,C5OF-J,K,L,M,T,U, C5ZF-C,D,E,F,J,K,L,M,C6PF-H,C6ZF-A,B, C,D,E,F,C7ZF-B,C	F-4 4100	1021
1965-67	260",289" ENG (REPL CARB)	4557S	C-2 ABD	1019
1965-67	289" ENG	R-3485AAS	H-2 2300	1017
1965-68	289" ENG	C5ZF-9510-A,B,G,H,C6OF-A,B,C6PF-E, C7DF-E,F,G,H,N,R,S,V,C8AF-L,AK,BD, C8PF-T,C8ZF-G	F-2 2100	1020
1965-69	289",302",351",390" ENG	R-4643AAA,-1AAA,-1AAS	H-2 2300	1017
1966	428" ENG	C6AF-9510-E,F	F-4 4100	1021
1966	289" ENG (2 CARBS)	R-3360A,AAS,R-3361A,AAS	H-4 4160	2060
1967	289" ENG	C8ZF-9510-J,K	F-4 4100	1021
	292" ENG	C6PF-F	F-2 2100	1020
1967-69	390" ENG	R-4742AAA	H-4 4150C	2061
1968	289" ENG (CANADA)	C8AF-9510-AF,C8DF-E,F,C8OF-S,C8ZF-E, H	F-2 2100	1020
	390" ENG	C8OF-K	F-2 2100	1020
	390" ENG (CANADA)	C8AF-AZ,BA,BB,C8OF-AE,AF,C8PF-U, C8WF-A	F-2 2100	1020
	428" ENG (CANADA)	C7AF-AM	F-4 4100	1021
1968	289",302" ENG	R-4446AAS	H-2 2300	1017
1968	390" ENG	R-4439AAS	H-2 2300	1017
1968	428" ENG HIGH PERF SHELBY GT-500	R-4129A,AAS	H-4 4150C	2061
1968-71	302" ENG	C8AF-9510-BD,C8PF-T,C9AF-A,T,C9ZF-G,		

MAKE YEAR	ENGINE & MODEL	CARBURETOR NUMBER	MFG CODE & MODEL	KIT NO.
MUSTANG 8 CYL - CONTD				
		DOAF-C,D,U,D1AF-BA,DA,D1ZF-AA	F-2 2100	1020
1969	429" ENG HIGH PERF BOSS	R-4456AAS	H-4 4150	2061
	351" ENG HIGH PERF RAM AIR	C9AF-9510-J,Z,C9ZF-L,M	F-2 2100	1020
	428" ENG	C8AF-BG	F-4 4100	1021
1969-71	351" ENG	C9ZF-9510-A,B,DOAF-E,F,V,D1MF-KA, D1OF-PA,RA,YA,ZA,D1ZF-SA,UA	F-2 2100	1020
1970	302" ENG	R-4643AAA,-1AAA,-1AAS	H-2 2300	1017
1970	351" WINDSOR ENG	R-4643AAA,-1AAA,-1AAS	H-2 2300	1017
1970-71	351" CLEVELAND ENG	R-6294AAA,-1AAA	H-2 2300	1017
1971	302" ENG	D1AF-9510-ZA,D1OF-ABA,ADA,AGA	F-2 2100	1020
	351" ENG	D1OF-AHA,AJA,D1ZF-ACA,AEA	F-2 2100	1020
1971	302" ENG	R-6433AAA	H-2 2300	1017
1972	302" ENG	D2GF-9510-AA,BA,D2OF-KA,D2PF-GA, D2ZF-FA	F-2 2100	1020
	302" ENG	D2AF-HB,HC,D2GF-AB,AC,BB,BC, D2OF-KB,VA,D2PF-GB,D2ZF-FB,MA	F-2 2100	1020
	352" ENG	D2OF-JA,PA,RA,UA,UB,D2PF-HA,D2WF-CA, D2ZF-EA,KA,LA	F-2 2100	1020
1972	351" C ENG	D2MF-CB,D2OF-UC,D2PF-HB,D2WF-CB D2ZF-LB,LC,D3PF-DA	F-2 2100	1020
	351" W ENG	D2AF-FB,FC,FD,GB,GC,GD,D2PF-GA,GB	F-2 2100	1020
1973	302" ENG	D3AF-9510-ABA,D3DE-AA,D3DF-EA, D3GF-AD,AE,AF,BA,BB,BC,D3OF-AD,EA, FA,JA,D3PF-EA,EB,D3ZF-EA,EB,GA,NA,NB	F-2 2100	1020
	351" ENG	D3AF-JA,KA,MA,NAPA,RA,RB,UA,XA, D3PF-FB,D3WF-CA,D3ZF-FA	F-2 2100	1020
	351" C ENG	D3AF-CE,DB,DC,D3PF-FA,D3WF-AC	F-2 2100	1020

**NASH
6 CYL**

1926-28	ADVANCE, LIGHT, SPECIAL, STANDARD 6.400	75S,82S,89S	C-1 BRASS BL	2132
1928	400	117S,121S	C-1 BRASS BL	2051
1928	400	123S	C-1 BRASS BL	2053
1929	SIX	134S,SA	C-1 BRASS BL	2052
1930-31	SIX	147S,SA	C-1 BRASS BL	2052
1932-36	1120,3540,3640A	A-17342 (8-10),A-18132,(49050A) (8-15)	S-1 EX-22	2119
1933-38	1030,1120,1130,3510, 3540,3610,3640,3710,3810	380148 (8-32)	S-1 BXOV-2	2037
1935-36	3520-3620	A-18063 (47603A) (8-6)	S-1 EX-32	2119
1937	3720	A-18143 (8-26A)	S-1 EX-32	2119
1938-39	3880, 3980 LAFAYETTE	8-30	S-2 EE-1	2039
1939-41	3920,4020,4160	435S	C-1 WA-1	2011
1939-42	3920,4020,4160,4260	380591 (8-42)	S-1 BXOV-2	2037
1940	LAFAYETTE 4010	458S	C-2 WDO	2028
1941-42	AMBASSADOR 600,4140,4240	513S	C-1 BB	2016
1941-42	600	380747 (8-45)	S-1 BXV-2	2037
1942-48	4260,4660,4760,4860	464S	C-1 WA-1	2011
1946-47	4640,4740	611S	C-1 WA-1	2038
1946-51	600 STATESMAN, RAMBLER	380288 (8-48)	S-1 BXV-25	2037
	AMBASSADOR	380292 (8-49)	S-1 BXOV-25	2037
1947-48	3148,A,3248,A (TRUCK)	464S	C-1 WA-1	2011
1948	4840	662S,SA	C-1 WA-1	2038
1949	AMBASSADOR 4960	683S	C-1 WA-1	2038
1949-50	(600) 4940,5040 STATESMAN	694S	C-1 WA-1	2038
1950-51	5060,5160 AMBASSADOR	746S	C-1 WA-1	2038
1950-51	STATESMAN 5040,5140,5110 RAMBLER	780S	C-1 WA-1	2038
1952-53	HEALEY 25260 (2 CARBS)	973S(F),974S(R)	C-1 YH	2030

MAKE YEAR	ENGINE & MODEL	CARBURETOR NUMBER	MFG CODE & MODEL	KIT NO.
NASH 6 CYL - CONTD				
1952-53	AMBASSADOR 5260,5360	895S,SA	C-1 YH	2030
1952-55	AMBASSADOR DUAL JET-FIRE 5260, 5360,5460,5560 (2 CARBS)	973S(F),974S(R)	C-1 YH	2030
1953	STATESMAN SIX	2034S	C-2 WCD	2056
1955	STATESMAN SIX	2061S	C-2 WCD	2056
1956	AMBASSADOR 5660	2368S	C-1 YH	2030
1956	AMBASSADOR DUAL JET-FIRE (2 CARBS)	2369S	C-1 YH	2030

8 CYL

1932-33	1030,1130	A-17202 (8-9)	S-1 EX-22	2119
1934	1280	A-17622 (8-3)	S-2 EE-22	2041
1935	3580	A-18062 (8-5)	S-2 EE-22	2041
1935-36	3580,3680	A-18061 (8-4)	S-2 EE-1	2039
1937	3780	A-18141 (8-27),A-18151 (8-28)	S-2 EE-1	2039
1938	3880	A-18331 (8-29)	S-2 EE-1	2039
1939	3980	436S	C-2 WDO	2028
1940	4080	465S	C-2 WDO	2028
1941	4180	511S	C-2 WDO	2028
1942	4280	538S	C-2 WDO	2028
1955-56	AMBASSADOR	2231S,SA	C-2 WGD	2040
1956-57	AMBASSADOR SPECIAL, RAMBLER	2352S,SA	C-2 WGD	2040
1957	AMBASSADOR 80 SERIES	2593S,SA	C-4 WCFB	2057

OLDSMOBILE

6 CYL

1926-27	SERIES E	79S	C-1 BRASS BL	2132
1929	---	138S	C-1 BRASS BL	2052
1930	---	152S	C-1 BRASS BL	2052
1934	F-34	A-17602	S-1 EX-23	2119
1934-35	F-34,F-35	A-17792,A-18022 (5-6A),A-18092 (5-7A)	S-1 EX-22	2119
1934-40	---	380152 (5-42)	S-1 BXOV-25	2037
		380153 (5-39)	S-1 BXOV-2	2037
1936-38	F36,F37	327S,339S,342S,351S	C-1 W-1	2015
1939	F-39,G-39	425S,426S	C-1 WA-1	2013
1940	F-40,G-40	466S,467S	C-1 WA-1	2013
1941-48	F-41,G-41,F-42,G-42,66,76	481S,504S	C-1 WA-1	2013
1941-50	---	380306 (5-53)	S-1 BXUV-35	2037
1948	66,76	651S	C-1 WA-1	2013
1949	76-49	709S,710S	C-1 WA-1	2013
1950	76	763S,SA,764S	C-1 WA-1	2013
1964-65	225" ENG F-85 & JETSTAR	7024148,149,7025148,149	R-1 BC	2046
1966-67	250" ENG F-85 & JETSTAR	7026027,028	R-1 BV	2046

8 CYL

1933	L-33	A-17242 (5-13)	S-2 EE-22	2041
1934	L-34	A-17601 (5-1)	S-2 EE-1	2039
1935	L-35	A-18021 (5-5A)	S-2 EE-1	2039
1936-37	L SERIES	328S,341S,345S,367S	C-2 WDO	2055
1937-40	L SERIES	386S,389S,471S	C-2 WDO	2027
1937-41	E,J,L SERIES	505SA,695S	C-2 WDO	2028
1941-48	MANUAL & HYDRAMATIC	380312 (5-54)	S-2 AAUVB-16	2007
1941	E41,J41,L41	480S,SA,503S,SA	C-2 WDO	2028
1942	68,78,98	480S,SA,503S,SA	C-2 WDO	2028
1946-47	78,98	480S,SA,503S,SA	C-2 WDO	2028
1947	68,78,98	665S	C-2 WCD	2056

MAKE YEAR	ENGINE & MODEL	CARBURETOR NUMBER	MFG CODE & MODEL	KIT NO.
OLDSMOBILE 8 CYL - CONTD				
1948	68,78,98	650S,SA	C-2 WDO	2028
1949-50	ROCKET 88,98	714S,SA,849S	C-2 WGD	2005
1949-50	ROCKET 88,98	7001570,7002570	R-2 AA	2010
1951-53	ROCKET 88,98	851S,SA,2015S	C-2 WGD	2005
1951-53	ROCKET 88,98	7002900	R-2 BB	2014
1952-53	SUPER 88,98	932S,2116S,2080S	C-4 WCFB	2022
1952-53	SUPER 88,98	7004300,7004800,7005600,7005700, 7006250	R-4 4GC	2071
1954	DELUXE 88	2058S	C-2 WGD	2040
1954-55	SUPER 88,98	2059S,2246S	C-4 WCFB	2022
1954-55	SUPER 88	380432 (5-55)	S-2 WW	2100
1954-56	SUPER 88,98	7005900,7006000,7007000,7007221, 7007222,7009902	R-4 4GC	2059
1955	88	7006970	R-2 2GC	2019
1956	88 (INCL JETAWAY)	7007223,7008800,7009300	R-2 2GC	2026
1957	---	7009470,7009471,7010925,7010926, 7015704	R-4 4GC	2073
1957-58	88,TRIPLE CARB POWER PACK	7010958,7010959,7010960,7011712, 7011713,7011714,7012450,7012913	R-2 2GC	2019
1958-65	400",425",ENG, SUPER 88,98	7012400,7012401,7013050,7013150, 7013950,7013952,7019050,7019054, 7020950,7020955,7023050,7023051, 7024050,7024051,7024153,7024154, 7025050,7025051,7025150,7025151, 7025255	R-4 4GC	2024
1959-62	ALL SINGLE CARBS	7013052,058,7015052,058,7019052, 058,7020052,58,7020954,56	R-2 2GV	2110
1961-62	F-85, JETSTAR POWER PACK	7019055,056,7020952,953,7020984, 7020985,7022752	R-4 4GC	2089
1963	215" ENG	7023054,055	R-4 4GC	2089
1963-64	394" ENG DYNAMIC 88	7023052,053,7024052,053	R-2 2GV	2110
1964	F-85, JETSTAR 330" ENG	7024056,057,058,059,7024155,156	R-2 2GC	2131
1964-65	330" ENG	7024054,055,7025054,055,7025157,158	R-4 4GC	2089
1965-67	F-85 & JETSTAR 330" ENG	7025056,057,058,7025156,159,7026058, 059,7027035,7027133,7036058,7036159, 7037050,051,052,053	R-2 2GV	2118
1965-67	425" ENG	7025052,053,7025152,7025252,253,254, 7026052,053,054,7027033,7027136,139, 7037054,056,058,7036052,053,7037055, 7037057	R-2 2GC	2110
1966	400" ENG (3 CARB SET UP)	7026056(C),7026055(F),7026057(R)	R-2 2GV	2110
1968	350" ENG CANADA	7028154,156,157	R-2 2GV	2118
	400" ENG (INCL CANADA)	7028155,158,159	R-2 2GC	2110
1968	DELTA CUSTOM 350" ENG (INCL CANADA)	7028156,157	R-2 2GV	2118
	455" ENG (INCL CANADA)	7028155,158,159	R-2 2GV	2110

**OPEL
4 CYL**

1966-67	4-130 MEXICO, 4-130 S. AFRICA	4018S,4019S	C-1 YF	2020
---------	-------------------------------	-------------	--------	------

**OSHKOSH TRUCK
6 CYL**

1935-46	HERC. JXC,D,WXC3 W100,200,300	S42,9310,9726,9727	Z-1 28	2088
---------	-------------------------------	--------------------	--------	------

MAKE YEAR	ENGINE & MODEL	CARBURETOR NUMBER	MFG CODE & MODEL	KIT NO.
PACKARD				
6 CYL				
1937-39	115	359S	C-1 W-1	2015
1937-39	115C,1600,1700	380513 (10-42)	S-1 BXOV-25	2037
1937-41	- - -	477S	C-1 WA-1	2072
1940	1800 (110)	A-19162 (10-39E)	S-1 BXOV-26	2037
1941-42	1900,2000	380039 (10-45A)	S-1 BXOV-26	2037
	1901,2001 (210)	380049 (10-46A)	S-1 BXOV-26	2037
1942-50	110 (SERIES 2000,2010,2020) 110 (SERIES 2100,2130) TAXI (SERIES 2220,2240,2320)	530S	C-1 WA-1	2072
8 CYL				
1933-34	STANDARD 8, 1001,1002,1100, 1101,1102	A-17282 (10-5)	S-2 EE-22	2041
	SUPER 8, 1003,1004,1103, 1104,1105	A-17312 (10-6)	S-2 EE-22	2041
1935	120	A-17701 (10-4F)	S-2 EE-14	2039
1935-36	SUPER 8 1203,1204,1205,1403,1404 1405	A-17882 (10-1A)	S-2 EE-23	2041
	STANDARD 8 1200,1201,1202,1400, 1401,1402,	A-17892 (10-2A)	S-2 EE-23	2041
1935-38	120,120A,B,C,1601,1602	380143 (10-36)	S-2 EE-16	2039
1936	120-B	A-18051 (10-24C)	S-2 EE-14	2039
1937	120-C	A-18091 (10-29,A,B,C)	S-2 EE-14	2039
1937-38	1500,1501,1502,1603,1604,1605	A-18392 (10-28)	S-2 EE-23	2041
1938	1601	A-18161 (10-30B)	S-2 EE-14	2039
1939	1703,1704,1705	A-19002 (10-34A)	S-2 EE-23	2041
1939-40	1701,1801,1A,(120)1702	A-18341 (10-33,33A)	S-2 EE-16	2039
1939-41	160-180	479S	C-2 WDO	2028
1940	1803-4-5-6(160),1807-8(180)	A-19172(10-40B,D,E)	S-2 AAV-26	2007
1941	120	478S	C-2 WDO	2028
1941-42	120,1951,2001	512S	C-2 WDO	2028
1941-42	1903-4-5-6-7-8,2003,-4-5-6-7-8	380037 (10-44A,B,C)	S-2 AAV-26	2008
1941-42	1901,2001,(120)	380050 (10-47A)	S-2 EE-16	2039
1942-50	160,180,2206,2226,2233,2306,2333	531S,SA	C-2 WDO	2028
1946-47	2101	512S	C-2 WDO	2028
1948-49	2202,2222,2232	643S,SA	C-2 WDO	2028
1948-50	2201,2211,2301	644S,SA	C-2 WDO	2028
1949-50	2302,2322,2332	643,SA	C-2 WDO	2028
1949-50	PACKARD EIGHT 2301	728S,SA	C-2 WGD	2005
1951	300,PATRICIAN 400	767S	C-2 WGD	2005
1951-52	200	784S	C-2 WGD	2005
1952	300,400	928S	C-2 WGD	2005
1953	CLIPPER 2601	784S	C-2 WGD	2005
1953	CLIPPER DELUZE 2611	928S	C-2 WGD	2005
1953-56	300,400,2601,11,5401,R,11,R 5540,5620,40,60,CAVALIER, CLIPPER SUPER, CUSTOM, DELUXE,PATRICIAN	985S,2084S,2103S,2112S 2142S,2232S,2284S,2394S	C-4 WCFB	2022
1954	CLIPPER SPECIAL 5401,-R	986S	C-2 WGD	2005
1954	CLIPPER DELUXE 5411,-R	2102S	C-2 WGD	2005
1955	352" ENG CARIBBEAN (2 CARBS)	7007230 7008230,7008231	R-4 4GC	2059
1955-62	REPL CARB	3422S	R-4 4GC	2059
1956	5620 CLIPPER DELUXE, 5640 CLIPPER SUPPER	2393S	C-4 WCFB	2004
1956	(EXC) CARIBBEAN	7008610,7009904	C-2 WGD	2040
	CARIBBEAN (2X4)	7009600(F),7009601(R)	R-4 4GC	2073
1958	58L-Y8,P8	2574S,2575S	R-4 4GC	2073
			C-4 WCFB	2022

MAKE YEAR	ENGINE & MODEL	CARBURETOR NUMBER	MFG CODE & MODEL	KIT NO.
PIERCE ARROW				
12 CYL				
1933-36	1236,1240A,1242,1245,1248A,1255 1602,1603, (2 CARBS)	A-16013 (18-3),A-16093 (18-4)	S-1 EX-32	2119
PLYMOUTH				
4 CYL				
1928	---	130S	C-1 BRASS BL	2053
1929	---	130SA	C-1 BRASS BL	2053
1930-31	U-30	156S	C-1 BRASS BL	2053
1931	PA	209S,210S	C-1 BRASS BL	2053
1932	PB	4A2,4A3	C-1 BB UPDFT	2050
6 CYL				
1933-35	PC,PD,PE,PF,PG,PJ,FLEET	B6A1,B6A2,B6C1,B6C2,B6E1,B6E2,C6A, C6A2,C6A3,C6A4,C6B1,C6D1,C6D2,	C-1 BB	2120
1933-38	(REPL CARB)	439S	C-1 BBR1	2016
1933-38	PC,PD,PG,PF,PE,PFC,PJ,P-1,P-2, P-3,P-4,P-5,P-6	A-19042 (3-46C)	S-1 BXOV-2	2037
1933-38	PC,PD,PG,PF,PFC,PJ,P-1,P-2,P-3, P-4,P-5,P-6	J-5484	S-1 BXOV-25	2037
1936-37	P1,P2, FLEET	B6F1,B6G1,C6E1,C6E2	C-1 BB	2121
1937-38	P3,P4,P6	C6F1,F2,F3,F4,F5,C6H1,C6J1,C6K1	C-1 BB	2095
1939	P-7,P-8	B6M1,B6N1	C-1 BB	2016
1939-41	P-8,-9,-10,-11,-12	380137 (15-11) 380235 (15-14)	S-1 BXUV-3 S-1 BXUV-35	2037 2037
1939-41	REPL CARB	10243,A-C	Z-1 28	2088
1939-54	P-7,8,9,10,11,12,14,15,17, 18,19,20,22,23,24,25 (INCL CANADA)	D6A1,2,D6C1,2,D6G1,D6H1,2,D6K1,D6L1, 2,D6N1,D6P1,2,D6R1,D6S1,D6T1,D6U1	C-1 BB,BBR1	2016
1940-42	P-9	B6P1,B6R1,B6S1	C-1 BB	2016
1941-42	---	B6T1,B6U1,B6V1,B6W1	C-1 BB	2016
1942-48	P-14,P-15C,P-15S	380245 (15-16) 380246 (15-17)	S-1 BXUV-3 S-1 BXUV-35	2037 2037
1947	P-15C,-15S	38051,380220,380851 (3-84,A,B,C,D)	S-1 BXV-3	2003
1949-52	P-17,-18,-19,-20,-22,-23	380271 (15-20A)	S-1 BXUV-3	2037
1953-54	---	380357 (3-123)	S-1 BXVD-3	2037
1954-59	218",230" ENG P-23,-25,-26,-28,-30	920SA,993SA,994SA,2062S,SA,2063S,SA, 2116S,SA,2192S,2193S,2194S,2215S,2248S, 2249S,2293S,2294S,2295S,2296S,2297S, 2298S,2380S,2382S,2403S,2410S,2567S, 2568S,2569S,2604S,2771S	C-1 BBS	2114
8 CYL				
1955	241" ENG, P-27	2141S,2154S,2155S,2262S	C-2 BBD	2031
1955	P-27 POWER PACK	2253S	C-4 WCFB	2022
1955-56	260",270" ENG, P-29	2422S,2423S,2424S	C-2 BBD	2033
1955-56	---	15-21 (380414)	S-2 WW	2100
1955-66	260",270" ENG, P-27	2259S,SA,SB,2260S,SA,SB,2261S,SA,SB 2274S,	C-2 BBD	2031
1956	277" ENG	2299S,2300S,2301S	C-2 BBD	2032
1956	277" ENG,P-29	2407S,2408S,2409S,SA	C-2 BBD	2034
1956	P-29 FURY	2442S,SA	C-4 WCFB	2057
1956-57	P-29,P-31 POWER PACK	2302S,SA,SB 2530S,SA,2725S	C-4 WCFB C-4 WCFB	2022 2022
1956-58	243" ENG (INCL EXPORT)	2487S,2488S,2489S	C-2 BBD	2034

MAKE YEAR	ENGINE & MODEL	CARBURETOR NUMBER	MFG CODE & MODEL	KIT NO.
PLYMOUTH 8 CYL - CONTD				
1956-59		15-23,15-24,15-25,15-26,15-27, 15-28,15-38,15-39,15-40,A	S-2 WW	2099
1957-58	P-31,LP2-M	2512S,SA,SB,SC,2513S,SA,SB,SC, 2514S,SA,SB,SC,2644S,2645S,2646S	C-2 BBD	2034
1957-58	P-31,LP-2 (INCL CANADA)	2515S,2516S,2517S,2647S,2648S,2649S	C-2 BBD	2032
1957-58	P-31,LP2-S, 318" ENG FURY (2 CARBS)	2631S(F),2632S,SA(R)	C-4 WCFCB	2082
1958	LP2-S FURY (2 CARBS)	2761S(F),2762S(R)	C-4 WCFCB	2082
	318" ENG, LP2, POWER PACK	2641S,2744S,2812S,2813S	C-4 AFB	2083
	FURY LP2-S, 350" ENG (2 CARBS)	2652S,2653S	C-4 AFB	2081
1958-59	313" ENG, LP2 EXPORT, POWER PACK	2641S,2744S,2812S,2813S	C-4 AFB	2083
1959	360" ENG, MP2	2855S,2856S	C-4 AFB	2083
1959	260" 270" ENG, MP2	2775S,2776S,2777S	C-2 BBD	2033
1959	MP2	2867S,2868S,2869S	C-2 BBD	2033
1959-61	MP2,PP2,RP2	2864S,2865S,2866S,2896S	C-2 BBD	2031
1960	PP2, RAM INDUCTION (2 CARBS)	2903S	C-4 AFB	2058
1960	EXPORT 313" ENG PP2	2991S	C-4 AFB	2083
1960-61	318" ENG	2925S,3103S,3131S	C-4 AFB	2083
	361" ENG	2969S,2970S,3105S,3106S,3140S	C-4 AFB	2083
1960-62	313" ENG (CANADA)	2990S,3101S,3250S	C-4 AFB	2083
1960-62	361" ENG (CANADA)	2926S,3104S,3309S	C-4 AFB	2083
1960-67	273", 318" ENG P2,PP2,R2,RP2,T,V SERIES, BELVEDERE,FURY	3-222,3-223,3-239,3-240,3-248,3-249, 3-250,3-251,3-258,3-259,3-260,3-261, 3-272,A,3-273,A,3-274,3-275	S-2 WW	2101
1961-63	POLICE SPECIAL 383" ENG	3133S,3437S,3438S	C-4 AFB	2083
1962	316" ENG	3252S,3253S,3257S	C-4 AFB	2083
	318" ENG	3247S,3249S	C-4 AFB	2083
1963	413" ENG, RAM INDUCTION (2 CARBS)	3447S,SA	C-4 AFB	2076
1963-64	383" ENG (CANADA)	3520S,SA,3612S	C-4 AFB	2083
1964	HIGH PERF POLICE SPECIAL, 383" 413",426" ENG	3611S	C-4 AFB	2083
1964-65	426" ENG HIGH PERF (2 CARBS)	3705S,SA,3861S	C-4 AFB	2083
1965	HIGH PERF, 383", 413",426" ENG	3855S,3856S,3858S,3859S,SA,3860S, SA,4200S	C-4 AFB	2083
1966	426" ENG	4136S,4137S	C-4 AFB	2083
1966-67	383" ENG	4130S,4131S,4132S,4298S,4309S,4299S	C-4 AFB	2083
1966-67	383" ENG, HI PERF	4133S,4310S	C-4 AFB	2029
1966-71	HIGH PERF 426" ENG (2 CARBS)	4139S,4140S,4324S,4325S,4343S, 4402S,4430S,4431S,4432S,4619S, 4620S,4621S,4742S(F),4745S(R), 4746S(R),4969S(R),4970S(R),4971S(F)	C-4 AFB	2083
1967	426" ENG SPEC HEMI, CR2 "DRAG-STRIP" PKG (FRONT CARB)	4345S(F)	C-4 AFB	2083
	440" ENG HIGH PERF	4311S,4312S,4326S,4327S,4328S,4329S	C-4 AFB	2083
1968	HIGH PERF 426" ENG (2 CARBS)	4430S,4431S,4432S	C-4 AFB	2083
1970-71	440" ENG, (3 CARBS)	R-4144A,-1A,-1AAS,R-4175A,AAS,-1A, -1AAS,R-4365A,AAS,-1AAS,R-4374A,-1A	H-2 2300	2066
1970-72	440" ENG (3 CARBS),(INCL CANADA)	R-4375A,AAS,R-4376A,AAS,R-4382A,AAS, -1A,-1AAS,R-4383A,AAS,-1A,-1AAS, R-4669A,R-4670A,AAS,R-4671A,R-4672A, AAS	H-2 2300	2066
1972	440" ENG (3 CARBS)	R-6404A,AAS (CENTER),R-6405A, AAS (FRONT),R-6406A,AAS (REAR)	H-2 2300	2066

MAKE YEAR	ENGINE & MODEL	CARBURETOR NUMBER	MFG CODE & MODEL	KIT NO.
PONTIAC				
6 CYL				
1926-27	6-27	46S	C-1 BRASS BL	2132
1926-27	(REPL CARB)	104S	C-1 BRASS BL	2051
1928	---	101S	C-1 BRASS BL	2051
1930	(REPL CARB)	149S	C-1 BRASS BL	2052
1933-35	601,605,701	255S,266S,280S,283S,298S,306S, 314S,315S	C-1 W-1	2015
1933-40	---	380151 (13-15)	S-1 BXOV-2	2037
		380234 (13-16A)	S-1 BXOV-25	2037
1936-38	36-26,36-28,37-26,36-28 TAXI, 6DA, 8DA	322S,324S,340S,350S,352S,364S, 400S,401S	C-1 W-1	2015
1939	P6 & P8	432S,433S	C-1 WA-1	2011
1940	---	380683 (13-18)	S-1 BXOV-25	2037
1940	40-25,-26	463S,SP	C-1 WA-1	2011
1941-42	41-24,-25,-26,42-25,-26, TAXI	493S,494S	C-1 WA-1	2011
1941-52	---	7002870	R-1 BC	2018
1941-52	---	380291 (13-22)	S-1 BXOV-25	2037
1942	42-25,42-26	521S,545S	C-1 W-1	2015
1946-48	47-25,47-26,48-25,48-26	537S,652S	C-1 WA-1	2013
1949-52	49-25,50-25,51-25,52-25	717S,718S	C-1 WA-1	2013
1955-56	261" ENG, SERIES 20,22, (INCL CANADA)	7006201,7007950,7009258,7009259, 7010680	R-1 BC	2018
1957-60	(INCL CANADA)	7010516,517,7011870,871,7013080,081	R-1 BC	2046
1961	CANADA	3114S	C-1 AS	2098
1962	(INCL CANADA)	7020080,081	R-1 B,BC	2046
1963-68	215",230",250" ENG	7023000,003,004,005,7024164,166, 7025000,003,004,005,167,168,7026027, 028,7026167,168,169,7027167,168, 7028168,7036167,168,7037167,168	R-1 B,BC,BV	2046

8 CYL

1933-35	601,605,701	255S,266S,280S,283S,298S,306S, 314S,315S	C-1 W-1	2015
1933-39	(EXCEPT TORPEDO)	380151 (13-15)	S-1 BXOV-2	2037
		380234 (13-16A)	S-1 BXOV-25	2037
1936-38	36-26,36-28,37-26,36-28 TAXI, 6DA, 8DA	322S,324S,340S,350S,352S,364S, 400S,401S	C-1 W-1	2015
1939	P6 & P8	432S,433S	C-1 WA-1	2011
1940	40-28	462S,SP	C-1 WA-1	2011
1940-41	40-29,41-27,41-28,41-29	469S,SM	C-2 WDO	2027
1941-46	ALL 8 CYL MODELS W/MANUAL TRANS	380181 (13-20A)	S-2 AAV-26	2007
1942	42-27,42-28	540S,548S	C-2 WDO	2027
1942	42-25,42-26	521S,545S	C-1 W-1	2015
1946	46-27,46-28	540S,548S	C-2 WDO	2027
1947-48	47-27,47-28,48-27,48-28	630S,SA,SB,653S	C-2 WCD	2056
1947-53	MANUAL & HYDRAMATIC	380311 (13-23)	S-2 A AUVB-26	2007
1949-54	PONTIAC EIGHT 49-27,50-27, 52-27,53-27,54-28	719S,SA,720S,SA	C-2 WCD	2006
1954	PONTIAC EIGHT CHIEFTAIN 54-27, STAR CHIEF, 54-28	2122S	C-2 WCD	2056
1955	55-27,-28	2182S,SA,SB,2207S,SB	C-2 WGD	2040
1955	---	7007800	R-4 4GC	2059
1955-56	55-27,55-28	2268S,2283S	C-4 WCFB	2022
1955-56	---	13-24	S-2 WW	2101
1955-56	56-27,56-28	2364S,SA	C-4 WCFB	2022
1955-65	347",389",421" ENG, HIGH PERF, SERIES 20,22,25,27,28, (INCL	7005810,7006100,7006825,7008004,005, 7008387,388,7008695,696,7008930,931,		

MAKE YEAR	ENGINE & MODEL	CARBURETOR NUMBER	MFG CODE & MODEL	KIT NO.
PONTIAC 8 CYL - CONTD				
	CANADA, TRIPLE CARB POWER PACK (CENTER CARB)	7009907,908,7010648,7010750,7011224, 350,460,500,706,709,7013064,067, 7015066,068,076,7019064,067,069, 7020064,067,069,7023073,075,077,161, 162,7024074,075,173,175,7025070,074, 075,173,175,7025177	R-2 2GC	2019
1956	27-28	7007900,7008697,7009905,7009906	R-4 4GC	2073
1957	347" ENG, 27-28	7009831,832	R-2 2GC	2079
1957-58	347",370" ENG, F & R OF TRIPLE CARB POWER PACK	7011351,352,705,707	R-2 2GC	2078
1957-58	57-27,57-28	2506S,2740S,2751S	C-4 AFB	2048
1957-58	HYDRAMATIC	7009829,7009830,7011701	R-4 4GC	2024
1958-60		7011702,703,7012702,703,7013060,061, 7015070,072	R-2 2GC	2110
1958-65	283",327",348" ENG (INCL CANADA)	7012128,7013004,7013006,7013010 7013012,7015004,7015006,7015010, 7015012,7019004,7019006,7019010, 7019014,7020006,7020012,7020022, 7023006,7023012,7024121,7024122, 7024220,7024226,7025121,7025122	R-4 4GC	2021
1958-67	283" ENG (INCL CANADA)	7012133,451,452,7013007,008,018,082 7013652,7019007,008,018,7020007,008, 7020018,7023007,008,018,7024100,101, 102,106,108,110,112,7025103,7027101, 103,110,112,116,7036101,110,112, 7037101,103,110,112	R-2 2GV	2019
1958	(LATE)	2767S,SA,2768S,SA	C-4 AFB	2048
1959-60	- - -	2819S,2820S,2975S,2976S	C-4 AFB	2048
1959-62	420 "E" ENG	7013069,075,7015062,073,7019060,7020060	R-2 2GC	2131
1959-63	TRIPLE CARBS	7013063(F),7013065(R)	R-2 2GC	2110
1960	SPECIAL	3010S	C-4 AFB	2029
1961-62	389" ENG	3298S	C-4 AFB	2029
1961-62		7019070,071,072,073,7020070,071, 072,073	R-2 2GC	2110
1961-62	420 "E" ENG	7019074,075,076,077,7020074,075,076,077	R-2 2GC	2131
1961-65	389" ENG	3123S,SA,3124S,SA,SB,3125S,SA,SB, 3300S,SA,3326S,SA,3479S,3647S, 3648SA,3649SA,3679S,3895S,3896S	C-4 AFB	2058
1963-64	389" ENG	7023060,061	R-2 2GC	2110
1963-64	389" OPT ENG	7023063,064,066	R-2 2GC	2131
1963-65	389" ENG CENTER CARB	7023073,075,077,7024173,175,7025173,175 177	R-2 2GC	2019
1963-65	409" ENG (INCL CANADA)	7020023,024,7024123,124,127,128, 7025123,124	R-4 4GC	2042
1963-65	421" ENG	3545S,SA,3574S,3650S,3651S,3895S, 3898S	C-4 AFB	2058
1963-66	421" ENG F & R OF 3 CARBS	7023078,079,7024078,079,7025078,079	R-2 2GC	2110
1964-66	389" ENG F & R OF 3 CARBS	7024178,179,7025178,179	R-2 2GC	2110
1965-66	G.T.O. 389" ENG	7025060,061,066,7026060,061,066	R-2 2GC	2110
1966	389", 421" ENG C OF 3 CARBS	7026074,075	R-2 2GC	2110
	389" ENG	7036060,061,7036175	R-2 2GC	2110
1966-67	389",400",421"	4030S,4033S,4034S,4037S,4041S,4242S, 4243S,4245S	C-4 AFB	2048
1966-67	326" ENG	7026062,071,7027062,071,7036062, 071,7037062,071	R-2 2GC	2110
1967	326",400" ENG	4242S,4243S,4244S,4245S,4246S, 4248S,4413S	C-4 AFB	2048
1967-68	327" 427" ENG HIGH PERF (INCL CANADA)	7027210,211,212,213,7028212,213,7037212,213	R-4 4MV	2063
1967-69	400" ENG	7027060,061,066,7028060,066,		

MAKE YEAR	ENGINE & MODEL	CARBURETOR NUMBER	MFG CODE & MODEL	KIT NO.
--------------	-------------------	----------------------	---------------------	------------

PONTIAC 8 CYL - CONTD

1968	307",327" ENG (INCL CANADA)	7029060,7037061,066,7037162 7027101,103,110,112,114,116, 7037101,103,110,112	R-2 2GC,2GV	2110
1968	396",427" ENG HI PERF (INCL CANADA)	7028210,211	R-2 2GV	2019
1970	454" ENG, 750,760 SERIES (INCL CANADA)	7040200,201	R-4 4MV	2062
1970	350" ENG (300 HP) (CANADA 750-760 SERIES)	7040202,203	R-4 4MV	2068
			R-4 4MV	2069

REO CAR 6 CYL

1933	S-1	A-16802 (12-11)	S-1 EX-22	2119
1933-34	S FLYING CLOUD, S-6	A-16803 (12-10),A-17363 (12-2),A-17623 (12-4)	S-1 EX-32	2119
1935	FLYING CLOUD 6A	303S,304S,320S	C-1 BB	2120

8 CYL

1934	ROYAL	A-17712 (12-1)	S-2 EE-23	2041
------	-------	----------------	-----------	------

REO TRUCK (INCLUDES BUS) 6 CYL

1935-37	1A4,1A4H,1A7M,1B4,1B4H,1B7M,1CH4, 1D4,1D4H,1L5,1LC5,1L5H,2B4,2B7M, 2D4,2H5,2J5,2LC4,2LM7,2LMH7,2L4, 2L4H,3H5,3HR5,3J5,3JR5,3K5,3KR5, 3P7,6AP,450,475,650,675	303S,304S,320S,356S,368S	C-1 BB	2120
1936	CAR 6D, BUS 3 P7	338S	C-1 W1	2015
1939-52	228,288,245,310,361,404 ENG 12,16,17,18,19,R,20,21,R,22,R, 23,R,56,92,310,383R,RT,P,394T,TD	S404,S985,S1170,9062,9065,9521,9543,9550, 9577,9807,9818,9820,9826,9860,10422,	Z-1 28	2088
1937-40	55,5309,10,61 3P7,383R,RP,RT,394, 95T,TD, BUS	8585,8683,8769,8907,08	Z-1 21/23	2126
1941-47	123 BUS,384P,394T,TD	9859	Z-1 28	2088
1941-54	GRD214,233,BLD250,269,K&KB-1,-2-3, -4,-5,-6,-7	R-328A,R-332A,R-337A,R-385A,R-386A,R-392A, R-414A,R-415A,R-502A,R-520A,R-527A,R-528A, R-799A (57161-R91,-R92,57164-R91,-R92, 64886-R91,64887-R91,71343-R91,71344-R91, 71424-R91,71425-R91,114956-R91)	H-1 847 F&FS	2128
1948-50	"37" COACH	657S	C-2 WCD	2056
1950-52	E-20	99S	C-1 BBR2	2016
1951-54	2 1/2 TON MILITARY	R-602A,-1A,-2A (1624-H2),R-641-3A	H-2 885 FFG	2127
1953-55	OH-160,331-OA ENG, F22,R,S,F50, F122,F226,.M,F506,(6X6)	R-789A (1789-H2),R-910A (1952-H2)	H-2 852FFG	2106
1958-59	185,362,400,440 ENG	R-1792A,-1A,-2A,-3A (2605-H2)	H-4 4000G	2105

8 CYL

1955-56	OV-195,OV-220 ENG GOLD COMET	2220S,2265S	C-4 WCFB	2022
1957-62	OV-207,OV-235 ENG GOLD COMET	2563S,SA,3208S	C-4 WCFB	2022

MAKE YEAR	ENGINE & MODEL	CARBURETOR NUMBER	MFG CODE & MODEL	KIT NO.
SEAGRAVE				
12 CYL				
1947-60	66,EA,EB,E530,750 FIRE TRUCK	10503,11614	Z-1 28	2088

STEWART TRUCK
6 CYL

1934-35	41H,X,XS,42X,43X,44X,45X,46H,HB, 47H,HB	A-17872 (28-5),A-18012 (28-8)	S-1 EX-22	2119
	29XS,32X,48H,BB,49B BB,50B,58X	A-17683 (28-6),A-17713 (28-11),F3321 (28-14)	S-1 EX-32	2119
1937-48	40HC,45H,47A,50A	S1016,9001,10449	Z-1 28	2088

8 CYL

1933	38-8,48-8	A-16552 (28-7)	S-2 EE-22	2041
------	-----------	----------------	-----------	------

STUDEBAKER
6 CYL - CAR

1933	56	A-17012 (6-15)	S-1 EX-22	2119
1935-36	1A,2A,3A,4A, DICTATOR	A-17922 (6-9),A-18222 (6-49,A)	S-1 EX-23	2119
1935-37	DICTATOR 5A,6A	627S,SA	C-1 WE	2002
1937	DICTATOR 5A,6A	371S	C-1 W-1	2015
1937	5A,6A, DICTATOR	A-18402 (6-62A)	S-1 EX-32	2119
1938-40	DICTATOR, COMMANDER	380858 (6-90)	S-1 BXOV-26	2037
1938-49	COMMANDER 8A,16A	627S,SA	C-1 WE	2002
1939	MODEL G	444S,453S	C-1 WO	2012
1939-40	CHAMPION	A-19282 (6-91A) A-19272 (6-90)	S-1 BXV-25 S-1 BXV-2	2037 2037
1940	COMMANDER	410S	C-1 WA-1	2011
1940	MODEL 2G CHAMPION	468S,SA	C-1 WO	2012
1941-45	CHAMPION	496S	C-1 WA-1	2038
1941-48	CHAMPION	380077 (6-100) 380078 (6-101)	S-1 BXV-2 S-1 BXV-25	2037 2037
1941-50	COMMANDER 11A,12A,14A,15A, 16A,17A	380036 (6-98A),380178 (6-104D)	S-1 BXOV-26	2037
1946-48	CHAMPION 5G,6G,7G	532S,661S	C-1 WE	2002
1947-48	G6,M5,15	10562,A	Z-1 28	2088
1949-52	CHAMPION 8G,9G,10G,12G	715S	C-1 WE	2002
1949-52	CHAMPION	380283 (6-109)	S-1 BXOV-25	2037
1950	COMMANDER 17A	627S,SA	C-1 WE	2002
1950-53	S17A DESERT	777S,SA	C-1 BBR1	2095
1953	CHAMPION 14G	989S,SA	C-1 WE	2002
1954	CHAMPION CUSTOM W1,F1	2190S	C-1 WE	2002
1954-56	CHAMPION 15G,16G,56G	2108S	C-1 WE	2002
1956-57	S17A DESERT	777S,SA	C-1 BBR1	2095
1956-58	CHAMPION 56G,57G,58G	2417S	C-1 WE	2002
1957-58	CHAMPION, SCOTSMAN	2724S,2764S	C-1 BBR1	2080
1958	TAXI GY1, SCOTSMAN 58G	2808S	C-1 BBR1	2091
1959	LARK, SILVER HAWK	2876S	C-1 AS	2133
1960-62	LARK, TAXI 60S,61S,62S	2934S,SA,3046S,SA,3159S,3160S,3161S, 3186S,3370S,3371S,3372S,3373S	C-1 AS	2097
1965	194" ENG	7025087,105,108	R-1 BV	2046
1966	230" ENG	7026085	R-1 BV	2046

8 CYL

1932-34	PRESIDENT,C, 92	A-17002 (6-12)	S-2 EE-22	2041
---------	-----------------	----------------	-----------	------

MAKE YEAR	ENGINE & MODEL	CARBURETOR NUMBER	MFG CODE & MODEL	KIT NO.
--------------	-------------------	----------------------	---------------------	------------

STUDEBAKER CAR 8 CYL - CONTD

1932-34	62-73, DICTATOR, COMMANDER	A-17022 (6-4)	S-2 EE-22	2041
1935	"C" PRESIDENT, "B" COMMANDER	A-17661 (6-10)	S-2 EE-1	2039
1936-37	PRESIDENT 3-C	A-17921 (6-50),A-17931 (6-52),A-18401 (6-63)	S-2 EE-1	2039
1938-40	PRESIDENT 4C,7C	A-18371 (6-70A),A-18611 (6-85)	S-2 AAO-161	2007
1940	PRESIDENT	409S	C-2 WDO	2055
1941-42	PRESIDENT 7C,8C	380038 (6-97C)	S-2 AAV-26	2007
1951	(EARLY) "H" COMMANDER	380278 (6-107A)	S-2 AAUVB-26	2007
1951-52	(LATE) "H" COMMANDER	380313 (6-111A)	S-2 AAUVB-26	2007
1953-57	COMMANDER	6-112F,-113,-115A,-116,-117B,C	S-2 WW	2023
1955-60	CHAMPION,LARK,PRESIDENT, SCOTSMAN	2214S,SA,SB,2219S,SA,SB,2330S,SB 2394S,2574S,2575S	C-4 WCFB	2022
1957-58	GOLDEN HAWK 57L,57H-K7,58H-K, -K7,-K9 W/SUPER CHARGER	6-121,A,B,C, 6-122A	S-2 WW	2100
1959-62	HAWK,LARK,CRUISER	6-123,A,6-125,6-127,6-128	S-2 WW	2023
1960-62	259",289" ENG, LARK, HAWK	2829S,2830S,3165S,3166S,3419S,3420S 3422S,3423S	C-4 WCFB	2004
1963-64	259",289" ENG, DATONA, LARK, HAWK, SUPER JET,AVANTI R2,64VE JET THRUST	3507S,3588S,3725S	C-4 AFB	2000
1963-64	CHALLENGER, CRUISER, COMMANDER,HAWK, LARK	6-130,6-132	S-2 WW	2102
1963-64	259",289" ENG	3506S,3540S,3589S,3726S	C-4 AFB	2086
1964	304" ENG AVANTI-R3	3808S	C-4 AFB	2086
	304" ENG AVANTI R4 (2 CARBS)	3810S(F),3811S(R)	C-4 AFB	2048
1965	283" ENG	7025186	R-4 4GC	2021
1965	283" ENG	7024101,110,7025088	R-2 2GV	2019

6 CYL - TRUCK

1933-34	---	A-17052 (6-8)	S-1 EX-22	2119
1935-36	T2,T4,T6,T8,2M2,2T2	308S,336S	C-1 W-1	2015
1937	J15,M,B,J20,M,MB	357S,360S,361S	C-1 W-1	2015
1937	J-30, J-30M	362S	C-1 BB	2080
1938	K10,K15,K20,K25	360S,361S,394S,395S	C-1 W-1	2015
1938	HERC ENG K30,M	8570	Z-1 20/23	2126
1938-42	K-10,K15,K20,K25	427S,428S,429S	C-1 BB	2080
1940-48	M16,M17	514S	C-1 BBR1	2080
1941-45	M5-M15	496S	C-1 WA-1	2038
1942-45	MILITARY LIGHT CARGO CARRIER 120 H.P. WEASEL MODEL C1,T15,T24, M29,C	561S,577S,	C-1 BBR1	2134
1942-48	M5,M15,M16	380077 (6-100)	S-1 BXV-2	2037
1946-47	M-5,M-15	532S,661S	C-1 WE	2002
1947-48	M5,M15	10563	Z-1 28	2088
1949-51	2R5,2R10,2R15	380282 (6-108)	S-1 BXOV-2	2037
1949-53	1/2 TON, 2R5,2R10, 2R15	633S	C-1 BBR1	2080
1949-53	2R16,A,2R17A 11/2, 2TON	606S,SA,SB	C-1 BBR1	2095
1950-53	2R6,2R11,2R14	777S,SA	C-1 BBR1	2095
1955	1/2, 3/4, 1 TON	2125S	C-1 BBR1	2080
1956	2E6,2E11,2E14	777S,SA	C-1 BBR1	2095
1957	3E16, 3E17	605S,SA,SB	C-1 BBR1	2095
1957	3E6,3E11,3E14	777S,SA	C-1 BBR1	2095
1959	4E1,4E5	2876S	C-1 AS	2133
1960	5E-6,-11,-14,-16	3062S,3079S	C-1 AS	2098
1960-62	5E-5,6E-5,6E-10	2934S,SA,3046S,SA,3159S,3160S,3161S, 3162S,3370S,3371S,3372S,3373S	C-1 AS	2097

MAKE YEAR	ENGINE & MODEL	CARBURETOR NUMBER	MFG CODE & MODEL	KIT NO.
--------------	-------------------	----------------------	---------------------	------------

STUDEBAKER TRUCK CONTD 8 CYL

1942-55	3R28,38,M5,M15,M16	6-110,A,B,C,D (380301)	S-2 AAUVP-2	3011
1955-59	2E7,12,38,B,3E7,12,13,28,B,38,B,40,B	2224S,SB,2576S	C-4 WCFB	2022
1955-62	ALL MODELS	6-114A,,-115A,-118A,-119,-120,-123, A,-125,-126,A,B,-127,-128,-129	S-2 WW	2023
1960-62	289" ENG 5E & 6E-13,-28,-40	2829S,2831S,3167S,3419S,3420S,3422S,3423S	C-4 WCFB	2004
1963-64	8E7,8E9,8E12,8E13,8E28,8E40	6-130,6-131,6-132,6-133	S-2 WW	2102

TEMPEST 4 CYL

1961	194.5" ENG SPECIAL	3010S,3266S	C-4 AFB	2029
1961-62	---	7019061,062,7020062	R-1 B,BC	2046
1961-63	L-4 195" ENG	7019066,079,7020066,079,7023069,070	R-4 4GC	2089
1962	---	7020061	R-1 B	2046
1963	195" ENG	7023067,068	R-1 B,BC	2046

8 CYL

1962		7020078	R-4 4GC	2089
1963-65	326" ENG	3477S,3502S,3686S,3687S,3899S 3900S	C-4 AFB	2058
1963-67	326" ENG	7023062,071,7024062,7025062,071, 7026062,071,7027062,071,7036062,071 7037062,071	R-2 2GC,2GV	2110
1965	389" ENG G.T.O.	7025060,061,066	R-2 2GC	2110
1966-67	327",389"	4030S,4033S,4034S,4035S,4041S,4243S,4245S	C-4 AFB	2048
1967	326" ENG	4246S,4248S	C-4 AFB	2048
1967-69	400" ENG	7028060,066,7029060,7037162	R-2 2GC,2GV	2110
1968	350" ENG CANADA	7028062,071	R-2 2GV	2110
	400" ENG CANADA	7028060,066	R-2 2GV	2110
1968-69	350" ENG	7028062,071,7029062	R-2 2GV	2110

TERRAPLANE 6 CYL

1932-33	KU	J-5593	S-1 BXV-2	2037
		J-5594	S-1 BXV-25	2037
1932-33	K,KT,KT DELUXE	243S,261S,267S	C-1 W1	2015
1933	K,KT	261S,267S	C-1 W1	2015
1933-38	71,81	J-5445	S-1 BXOV-2	2037
		J-5480	S-1 BXOV-25	2037
1934	K,KS,KU	281S,295S	C-1 W1	2084
1935	G,GU COMMERCIAL	309S,311S	C-1 W1	2084
1936	61, 62 CUSTOM	329S,331S	C-1 W1	2084
1937	71	348S	C-1 W1	2084
1937-38	72,82	344S,377S,402S	C-2 WDO	2055

THUNDERBIRD 8 CYL

1955	292" ENG	R-997-1A,-2A,R-998-1A,-2A,R-1077A, -1A,-2A,-2AS,R-1078A,-1A,-2A,-2AS	H-4 4000	1010
1956	292",312" ENG	R-1161A,-1A,-2A,-2AAS,R-1162A,-1A, -2A,R-1163A,-1A,-2A,R-1164A,-1A,-2A	H-4 4000	1010
1957	312" ENG (2-CARBS)	R-1434A,AS,R-1437A,AS	H-4 4000	1010
1957	292" ENG	R-1379A,-1A,-2A,R-1380A,-1A,-2A, R-1486A,-1A,R-1952AA,AAS	H-2 2300-C	1011
1957	312" ENG	R-1272A,-1A,R-1273A,-1A,-2A,-2AAS	H-4 4150C	1022
1958-60	352" ENG	EFAOAA,EFAOAB,EFAOAC,EFAOBA,		

MAKE YEAR	ENGINE & MODEL	CARBURETOR NUMBER	MFG CODE & MODEL	KIT NO.
--------------	-------------------	----------------------	---------------------	------------

THUNDERBIRD 8 CYL - CONTD

		EFAOBB,EFAOBC,EFA9AA,EFA9AB, EFA9AC,EFA9BB,EFA9BC,COAE-9510-J,K, EDT-B,C,5751680,5751681	F-4 4100	1021
1959-60	430" ENG	2853S,2992S	C-4 AFB	2045
1961-65	390" ENG (CANADA)	C4SF-9510-A	F-4 4100	1021
1961-66	390" ENG	LSAITA,LSAITB,CIAE-9510-AH, C2SE-C,C2SF-A,B,C3SF-B,C4SF-B, C5SF-A,B,C6PF-H,C6SF-A,C	F-4 4100	1021
1962-63	390" ENG (3 CARBS)	R-2497A,AS,AAS,R-2498A,R-2499A,AS,AAS	H-2 2300	1017
1966	428" ENG	C6SF-9510-A,C	F-4 4100	1021
1969	429" ENG	R-4643AAA,-1AAA,1AAS	H-2 2300	1017
1972	400" ENG	D2AF-9510-UC,D2MF-DA,DB,EA,EB,FA, FB,FC,FF,D2PF-HA,HB	F-2 2100	1020

TORINO 8 CYL

1970-71	302" ENG	D0AF-9510-C,D,U,D1AF-BA,DA, D1OF-MA,NA,D1ZF-AA	F-2 2100	1020
	351" ENG	D0OF-J,K,L,M,T,U,V,D0ZF-A,B,D1MF-KA, D1OF-PA,RA,YA,ZA,D1ZF-SA,VA	F-2 2100	1020
1971	302" ENG	D1AF-9510-ZA,D1OF-ABA,AGA,D1ZF-ADA	F-2 2100	1020
	351" ENG	D1OF-AHA,AJA,D1ZF-ACA,AEA	F-2 2100	1020
1972	302" ENG	D2AF-9510-HA,HB,HC,D2GF-AA,AB,AC,BA, BB,BC,D2OF-KA,KB,VA,D2PF-GA,GB,D2ZF- FA,FB,MA	F-2 2100	1020
	351" ENG	D2OF-9510-JA,PA,RA,UA,UB,D2PF-HA, D2WF-CA,D2ZF-KA,LA	F-2 2100	1020
	351" C ENG	D2MF-CB,D2OF-UC,D2PF-HB,D2WF-CB, D2ZF-LB,LC,D3PF-DA	F-2 2100	1020
	351" W ENG	D2AF-FB,FC,FD,GB,GC,GD,D2PF-GA,GB	F-2 2100	1020
	400" ENG	D2AF-UC,D2MF-DA,DB,EA,EB,FA,FB,FC, FF,D2PF-HA,HB	F-2 2100	1020
1973	302" ENG	D3AF-9510-ABA,D3OF-AA,EA,D3GF-AD, AE,AF,BA,BB,BC,D3OF-AD,EA,FA,JA, D3PF-EB,D3PF-EA,D3ZF-EA,FB,GA,NA,NB	F-2 2100	1020
	351" ENG	D3AF-JA,MA,NA,PA,RA,VB,VA,XA,D3PF- FB,D3WF-CA,D3ZF-FA	F-2 2100	1020
	351" W ENG	D3AF-CD,D3PF-GA	F-2 2100	1020
	351" C ENG	D3AF-CE,DB,DC,KA,D3PF-FA,D3WF-AC	F-2 2100	1020
	400" ENG	D3AF-DB,D3MF-AD,AE,BA,CA,DA,EA, D3MF-FA,GA,D3PF-FA,FB	F-2 2100	1020
1974	302" ENG	D4DE-9510-LA,NB,D4OE-CA,EA,GA, D4PE-GA,GB,YC	F-2 2100	1020
	351" ENG	D4AE-KA,D4OE-FA,D4PE-HA,VA	F-2 2100	1020
	351" C ENG	D4AE-CA,D4OF-BA,CA,DA	F-2 2100	1020
	351" W ENG	D4AE-DA,EA,D4OF-AA	F-2 2100	1020
	351", 400" ENG	D4PE-HB	F-2 2100	1020
	400" ENG	D4AE-GA,HB,D4ME-BA,D4MF-BA,CA, D4PE-HA,VA,VB,BKA	F-2 2100	1020

TUCKER 6 CYL

1948	334" ENG	205-14B	S-2 AAV26	2008
------	----------	---------	-----------	------

MAKE YEAR	ENGINE & MODEL	CARBURETOR NUMBER	MFG CODE & MODEL	KIT NO.
TWIN COACH BUS				
6 CYL				
1948-56	FTC-180,-200,-210 ENG FL-30,F-32-F,34,38,41,44S,44D, 45-5MPO,52-3,505,218-F1	R-633A,-1A,R-756A,R-775A,R-834A,R-872A, R-873A,R-874A,R-875A	H-2 885 FFG	2127
VALIANT				
6 CYL				
1960-61	RV1 170" ENG	3083S	C-4 AFB	2076
8 CYL				
1965	273", 318" ENG	3-248,3-249,3-250,3-251	S-2 WW	2101
1965-67	273" ENG HIGH PERF	4122S,4294S,4304S,4305S		
	273" ENG HIGH PERF (CANADA)	3853S,3854S,4119S,4121S,4122S,4294S	C-4 AFB	2083
1966-67	273" ENG HIGH PERF	4120S,4295S	C-4 AFB	2083
VOLVO				
4 CYL				
1946-53	PV44 (INCL CANADA)	618S	C-1 WO	2012
1951-54	L-230	843S	C-1 WA-1	2013
1954-56	L-370	2263S	C-1 WA-1	2013
WHITE TRUCK (INCLUDES BUS)				
4 CYL				
1937	CONT ENG 84	8346	Z-1 20/23	2126
1941-51	32A,35A,99,116,4CH-176,4CHO-145,-150	9766,67,9929,79	Z-1 28	2088
6 CYL				
1932-35	700 SERIES	A-17822,F2980 (29-3),F2981 (29-4),A-17052, A-17902 (29-5)	S-1 EX-22	2119
1934-39	700,A,K,P,700 SPECIAL,701,02 703,04,04K,705,706,709,710, 712,18,810,812,818	F-6148,J-5574 (29-45) J-5576 (29-46)	S-1 BXV-2	2037
1936	704,706,709	F4352 (29-21)	S-1 BXOV-2	2037
1936-40	9A,11A,250,270,303,318 ENG 700, A,H,K,P,3,4,K,6,8,9,A,10,A,12,A,18, A,810,904,18	7521,22,7950,8125,8248,85,8342,8730,31	S-1 EXV-2	2119
1938	20-A	A-18812 (29-24)	Z-1 20/23	2126
1938	20-A	A-18932 (29-28A)	S-2 AAV-25	2007
1938	30-A	A-19052 (29-32B)	S-2 AAV-2	2007
1938-48	11A,13A,16A,21A,500,700,04,06,M, 09,810	9006,9977,10225	S-2 AAV-2	2007
1939	WA-20,22,26,34	380035 (29-57A)	Z-1 28	2088
1939	30-A,120-A	A-19152 (29-34A)	S-2 AAV-2	2008
1940	20-A	380012 (29-50A)	S-2 AAV-2	2007
1940	100A,110A,120AX	380018 (29-55A)	S-2 AAV-2	2008
1940	HERC ENG M2A U.S. ARMY SCOUT CAR	7745	S-2 AAV-2	2007
1940-41	M-2,M-3,M-4,T-30	380053 (29-60)	Z-1 20/23	2126
1945-50	100A,110A,120A,140A,150A	29-64,29-65A,29-67A,29-68A-D,29-70	S-2 AAV-2	2008
1946-53	150A ENG, WB-22,WB-26,WC-22T,WC- 22PLT,WC26,WC-26T,WC2264,3022T,		S-2 AAVP-2	3011

MAKE YEAR	ENGINE & MODEL	CARBURETOR NUMBER	MFG CODE & MODEL	KIT NO.
--------------	-------------------	----------------------	---------------------	------------

WHITE TRUCK (INCLUDES BUS) 6 CYL - CONTD

	3022PLT,3026,3000 SERIES TILT-CAR	R-388A,-1A,-2A,-3A,-4A,-5A,-6A -6AS,-7A,R-410A,R-547A,-1A,-2A	H-2 852FFG	2106
1950-58	3014	R-609A,R-1308A	H-1 847FS	1007
1950-58	250A,450A ENG, WB-22,-26,3000, 9000T SERIES TILT-CAB	R-588A,1A,-2A,-3A,-3AS,-4A,-4AS,R-1343A,-4A	H-2 852 FFG	2107

8 CYL

1967	327" ENG VAC. GOV.	7036099	R-2 2G	2019
------	--------------------	---------	--------	------

6 & 8 CYL

1955-59	460A,470A,490A ENG 3000T,4000T, 4200T,9000T,WC-22T SERIES	R-1053A,R-1169A,R-1170A,R-1290A,R-1291A, -1A,R-1292A,R-1359A,R-1448A,R-1449A,R-1589A, R-1590A,R-1591A,R-1592A,R-1593A,-1A, R-1594A,-1A,-2A,R-1595A,-1A,R-1596A, R-1597A,-1A,R-1669A,-1A	H-4 2140 SG	2105
---------	--	---	-------------	------

12 CYL

1936-37	12A,AB,505 ENG (2 CARBS) 684,86 730,31.H.X	7950	Z-1 20/23	2126
1940-48	12A,51,A,SB,684,686	9637,9638,10316	Z-1 28	2088

WILLYS

4 & 6 CYL CAR - TRUCK - JEEP

1933-40	77,440	380259 (96-18A)	S-1 BXOV-1	2037
1937-41	OVERLAND "440","MA" GOV TRUCK	450S.SA	C-1 WO	2012
1941-42	AMERICAR "441"	507S.SA	C-1 WO	2012
1941-42	441,442	380744 (96-16)	S-1 BXV-2	2037
1941-52	"MB" 4X4 U.S. ARMY TRUCK	539S,698S	C-1 WO	2012
1945-52	AGRI-JEEP, TRUCK, WAGON, CJ-2A,CJ-3A,2T (3/4 TON), 4T (1 TON), GSW 4X4 63 (GOV USE), CSW 4X4 63 (CIV USE)	596S,636S.SA	C-1 WO	2012
1946-49	4-63 STATION WAGON & PANEL DELIVERY, VJ-2 & VJ-3 JEEPSTER SPORTS PHAETON	613S	C1 WA-1	2085
1946-50	CJ-2A,-3A	380284 (96-20)	S-1 BXOV-1	2037
1946-50	4-63,6-63,VJ-2A, STATION WAGON, JEEPSTER, 6-73	380285 (96-21)	S-1 BXV-2	2037
1947-51	463,663 ENG, 4-63,6-63,VJ2	10569,A,B,10760,A,11002	Z-1 28/228	2088
1948-72	4FB,463,663 ENG, VJ2,473SD (1/2 TON)	10569,A,B,10760,A,11002,11113,11719, 12017,12018,A (646235,647572,801110, 802190,907846,2004468)	Z-1 28/228	2088
1949-56	134" F, L ENG 1/4 TON 4X4 CJ-V35-U (NAVY) MC,MCI M38 (ARMY) MD M38-A1 (ARMY)	637S (A17854) 950S (804826)	C-1 YS	2092
1948-72	4FB,463,663 ENG, VJ2, 4735D 1/2 TON	10569,A,B,10760,A,11002,11113, 11719,12017,12018,A	Z-1 28/228	2088
1950	4-73	380290 (96-22)	S-1 BXOV-2	2037
1950-61	4-73,4-75, ENG, CJ-5,CJ-6, CJ-38,F4-134,FC-150	738S,SA,768S,SA,SB,832S,SA,SB, 938S,SA,SC,SD,951S,SA	C-1 YF	2020

MAKE YEAR	ENGINE & MODEL	CARBURETOR NUMBER	MFG CODE & MODEL	KIT NO.
WILLYS CAR -TRUCK-JEEP 4 & 6 CYL - CONTD				
1950-72	4FB ENG, 473SD 1/2 TON	11113,11719	Z-1 28/228	2088
1952-61	4-75 JEEP STATION WAGON, SEDAN DELIVERY, 4WDTR,2WDTR, UTILITY WAGON, UTILITY PANEL, AERO-LARK,MAVERICK	915S,SA	C-1 YF	2020
1953-60	CIVILIAN JEEP, FORWARD CONTROL JEEP TRUCK CJ-3B,CJ-5,CJ-6,FJ-5 -6,FC-150	938S,SA,SC,SD	C-1 YF	2020
1956-59	151 ENG	12017,12018,A	Z-1 28/228	2088
1956-61	JEEP DISPATCHER DJ-3A	2392S,SA	C-1 YF	2020

6 CYL

1948-49	663 STATION SEDAN & WAGON	645S	C-1 WA-1	2085
1952-53	6-75PC. AERO LARK, AERO FALCON	937S	C-1 YF	2020
1952-61	6-85,L6-226 ENG, FC-170	924S,2071S,2467S	C-1 YF	2020
1954	ACE, EAGLE, SCOUT,CRUISER, 4 W.D. STATION WAGON & TRUCK	2052S,SA	C-2 WGD	2005
1954-56	6-226" ENG, STATION WAGON & TK	2204S	C-2 WCD	2025
1955	BERMUDA AND CUSTOM	2052S,SA	C-2 WGD	2005
1962-65	230" ENG KAISER JEEP	R-2415A,R-2640A,R-2934A	H-2 2300,C	1017
1964-65	230" ENG, KAISER JEEP (MILITARY)	R-2647A,AAS,-1A,-1AAS,R-2651A, AAS,-1A,-1AAS	H-1 1920	2111
1966-73		R-3615-2A,R-6705A	H-1 1920	2111

8 CYL

1965-67	327" ENG	R-3394-1A,-1AAS,R-3602AAS,-1A,-1AAS R-3394A,AAS,R-3602A	H-4 4160	2060
1968-74	304",360" ENG (REPL CARB)	R-4517-2AAA,R-6513-2AAA,R-6986-1AAA, R-7451-1AAA,R-7717AAA,R-7718AAA, R-7719AAA	H-2 2300	1017

HIGH PERFORMANCE

CHEVROLET

HOLLEY EQUIPPED

UNIVERSAL CALIBRATION, STREET/COM-
PETION, OFF ROAD APPLICATIONS

	R-1850-1A,-1AA,-1AAA,-2AA,-2AAA,-3AA -3AAA,-4AA,-4AAA	H-4 4160	2060
TRANS-AM RACING CAR DUAL PUMPS 812 C.F.M.	R-4830A,AAS	H-4 4150	2065
LAND & MARINE INSTALLATIONS (6 CARBS)	R-3903AAS	H-2 2110FF	1012

ALL MAKE VEHICLES

DUAL PUMPS & OVERHEAD THROTTLE
LINKAGE 830 C.F.M.

	R-4788AAA,-1AAA	H-4 4150	2065
--	-----------------	----------	------

HOLLEY EQUIPPED

WEDELBROCK MANIFOLD

600 C.F.M.	R-4776AAA,-1AAA,-2AAA
650 C.F.M.	R-4777AAA,-1AAA,-2AAA
700 C.F.M.	R-4778AAA,-1AAA,-2AAA

MAKE YEAR	ENGINE & MODEL	CARBURETOR NUMBER	MFG CODE & MODEL	KIT NO.
--------------	-------------------	----------------------	---------------------	------------

HIGH PERFORMANCE - CONTD

HOLLEY EQUIPED

WEDELBROCK MANIFORD				
	750 C.F.M.	R-4779AAA,-1AAA,-2AAA		
	800 C.F.M.	R-4780AAA,-1AAA,-2AAA		
	850 C.F.M.	R-4781AAA,-1AAA,-2AAA	H-4 4150	2065
W/WEDELBROCK DUAL QUAD MANIFOLD DUAL				
	DIAPHRAGM 750 C.F.M. (2 CARBS)	R-6109AAA	H-4 4150	2065

CARTER EQUIPPED

---	400 C.F.M.	9400S, 9410S		
---	500 C.F.M.	9500S,9501S,9502S,9503S,		
---	500 C.F.M.	9504S,9510S,9511S		
---	600 C.F.M.	9605S,9606S,9607S		
---	625 C.F.M.	9625S,9626S,9627S,9635S,9636S,9637S		
---	625 C.F.M.	9638S,9641S		
---	750 C.F.M.	9755S,9756S,9757S,9758S	C-4 AFB	2094

LATHAM MFG. CO.

	AXIAL FLOW SUPERCHARGER (4 CARBS)	3172S	C-1 YH	2030
--	-----------------------------------	-------	--------	------

MARINE/INDUSTRIAL/TRACTOR

AERO-JET MARINE 4 CYL

---	---	2184S,2189S	C-1 WO	2012
-----	-----	-------------	--------	------

ALLIS CHALMERS 4 CYL

1934-50	W, WC, WF TRACTORS	800S-SA,2726S	C-1 UT	2054
1938-50	ALL COMBINES & POWER UNITS, B TRACTORS	802S-SA,2728S	C-1 UT	2054
1950-51	WD ENGINE	810S	C-1 UT	2054

6 CYL

1946-51	---	R-433A	H-1 859	1024
1965-66	190,265,301	R-2871A,-1A,-2A,R-3257A,-2A,-3A 4020206, 418,985,4021137,138,618	H-1 1970	3015
1976	250" CHEV INDUSTRIAL	13810,13815	Z-1 228	2088

4 & 6 CYL

1933-52	W,WC,WF,WZ,W25,P TRACTOR	6793,7078,7347,7971	Z-1 124 ½	3016
---------	--------------------------	---------------------	-----------	------

8 CYL

1971-80	MODEL M	13622 (1170194),ER2-204	Z-2 WWZ	3012
---------	---------	-------------------------	---------	------

AQUANAUTICS MARINE

---	164" ENG	7024088	R-1 H	2044
-----	----------	---------	-------	------

MAKE YEAR	ENGINE & MODEL	CARBURETOR NUMBER	MFG CODE & MODEL	KIT NO.
BOMBARDIER				
6 CYL				
---	SNOW REMOVAL E215599 IND ENG IND 251	(1023064)	C-1 BB	2077
CHAMP (LIFT TRUCK)				
4 CYL				
1980-90	CONT. F163, CHRY. IND 33 ENG	13899,13931	Z-1 228	2088
CHRIS-CRAFT MARINE				
4 CYL				
1939-67	A,B, ENG	8963,12206	Z-1 63M	3002
1939-62	K,KL,KFL ENG	8983,10762,A-F,12055,A,B,12091,A, 12094,A	Z-1 63M/263M	3003
1946-56	KBL ENG (3 CARBS)	1484,A,B	Z-1 28	2088
8 CYL				
---	283" ENG	7013071,7015090	R-4 4GC	3008
---	283" ENG	7019082	R-2 2GV	2019
---	283",327" ENG	3660S	C-4 AFB	2029
1960-62	430" ENG	3041S,SA,3204S,3314S	C-4 AFB	2045
1961	283"	2669S,3205S	C-4 WCFB	2004
--	307" ENG 307B101	6310S	C-1 AFB	2029
--	427" ENG	4157S	C-4 AFB	2029
CHEVROLET MILITARY				
8 CYL				
1960	283" ENG	R-1960-1A,-2A (3823489)	H-4 2140SG	2105
CHRYSLER MARINE				
6 & 8 CYL				
1943-47	M7-M8	6J2,6J3,6K2,6K3	C-1 BB1 UPDFT	3001
6 CYL				
---	230",251",265" ENG	E7R1	C-1 BB	2016
1932	MARINE	224S	C-1 BRASS BL	2053
1947-48	ACE, PC ENG	9129,10499	Z-1 62M	3002
1949-71	M26,36,37,46,S,47,S,48S,49 ENG ACE, CROWN, MAJESTIC, ROYAL, SPECIAL	10635,10636,10637,10638,10970,A, 10971,11583,A-D,12145,13269	Z-1 263M	3003
1962-65	M-225-D 225" ENG	3389S,3390S	C-2 BBD	3000
1965-71	M-225,MH-225 225" ENG	4268S	C-2 BBD	3000
8 CYL				
---	M80 318" ENG (2 CARBS)	2911S,3195S	C-1 YH	2030
---	M81 361" ENG (2 CARBS)	3035S	C-1 YH	2030
1946-49	CV ENG	S1457	Z-1 63M	3003
1954-56	IMPERIAL M-45, IMPERIAL SPECIAL M-45S (2 CARBS)	975S,2221S,2360S	C-1 BBS	3004
1955-56	ROYAL M-44	2291S	C-2 BBD	2033

MAKE YEAR	ENGINE & MODEL	CARBURETOR NUMBER	MFG CODE & MODEL	KIT NO.
--------------	-------------------	----------------------	---------------------	------------

CHRYSLER MARINE 8 CYL - CONTD

1956	M-45 SPECIAL (2 CARBS)	2365S	C-4 WCFB	2022
1957	M-45-3 SPECIAL (2 CARBS)	2628S	C-4 WCFB	2022
1961-65	M-318-A	3212S,3981S	C-2 BBD	3000
1961-66	318", M-318-B 383",413" ENG, M-383,M-413	3213S 3214S,4476S,SA	C-4 AFB	2083
1962-67	413" ENG, M-413-E M-413-D(REAR)	3392S 3394S	C-4 AFB	2083
1962-69	413",426",440" ENG (FRONT CARBS) M-413-D,M-426-D,M-440-D	3393S,SA	C-4 AFB	2083
1963-69	413" ENG, M-413-E 413",426",440" ENG (REAR CARBS) M-413-E,M-426-D,M-440-D	3543S 3564S	C-4 AFB	2083
1965-72	M-273-A 273" ENG M-383-B,M-440-B M-318-A,M-318-G 318" ENG	3979S 6130S,6212S 3981S	C-2 BBD C-4 AFB C-2 BBD	3000 2083 3000
1965-69	273",318" ENG, M-273-B,M-318-B, LM-318-B	3980S	C-4 AFB	2083
1967-69	383",426",440" ENG, M-383,426,440	4476S,SA,9263S,9264S	C-4 AFB	2083
1969	318" ENG, LM-318-B	4699S	C-4 AFB	2083
1970-72	440" ENG (3 CARBS)	R-6106A,-1AAS(F),R-6106A,AAS(C) R-6107A,-1AAS(R)	H-2 2300	2066
1979-80	340",383",440" ENG, M340,M383,M440	9263S,9264S	C-4 AFB	2083

CHRYSLER MILITARY 8 CYL

1960-74	361" ENG	R-2094-1AR(2122119),2728A,-1A (265322),(CADILLAC GAGE 100286), R-6526A(3675828)	H-4 2140SG	2105
---	ONTOS ENG, M-150	R-2772A(2407688)	H-2 885 FFG	2104

CHRYSLER INDUSTRIAL 6 & 8 CYL

1948-68	5A,6A,7A,8A,12A,13A,14A,15A,16A 22A,30,31,32,33,34,36 5-250 TO 5-255,7-260 TO 7-266, 12-270,TO 12-275	E7D1,D2,D3,D4,E1,E2,E3,E4, E7S1,4167S	C-1 BB	2077
---------	--	--	--------	------

6 CYL

1932	PA INDUSTRIAL	219S,252S	C-1 BRASS BL	2051
1932	Z INDUSTRIAL	220S,254S	C-1 BRASS BL	2051
1932	CM INDUSTRIAL	221S,254S	C-1 BRASS BL	2051
1955-56	30,31,32,33,34,36	E7T2,E7R1	C-1 BB	2016
1965-66	30,31,32,33,908,931	4069S	C-1 BB	2016

8 CYL

---	20A	4-121,4-122,A,4-129	S-2 AAVP-2	3011
1943	C36-520,-5427,-5428,-6413, -6419,-6421	373S	C-2 WDO	2055
1953	20A FIRE SIREN	979S	C-2 WCD	2112
1964-75	H,IND LA,LH318,H383	12980,13237,13241,13346,13403,13548,13639, 13667	Z-2 WWZ	3012

MAKE YEAR	ENGINE & MODEL	CARBURETOR NUMBER	MFG CODE & MODEL	KIT NO.
CLARK CORTEZ				
6 CYL				
---	MOTOR HOME	3724S	C-1 YH	2030
CLARK EQUIPMENT				
4 CYL				
1960-65	CONTL F162	12696	Z-1 28/228	2088
6 CYL				
1940-57	CHRY T50,CONTL F6209,F6218	S119,A,S710,S711,9497,A,9933,A,10082,596, 11585,A,625	Z-1 28/228	2088
1958-78	HERC JXC,CONTL F245,F6244	12015,12372,13065,13171,13223,13562,13601	Z-1 28/228	2088
CLEVELAND				
1944	3 TON FORK LIFT TRUCK	584S	C-1 WO	2012
CLINTON ENGINE				
1 CYL				
---	"RED HORSE" 1600,2500,A2500	2712S,2713S,2714S,2336S,SA,2337S,SA	C-1 UT	2054
1954-55	1600,2500 SERIES	2217S,2230S	C-1 UT	2054
---	A,B,VS, 100-2100 SERIES	705S,707S,2003S,2019S,2020S,2029S, 2083S,2087S,2147S,2171S,2236S,2264S, 2399S,2449S,2456S,2457S,2458S,2459S, 2466S,2496S	C-1 N	3014
CROSLEY MARINE				
4 CYL				
---	MOTOR GENERATOR	934S	C-1 WO	2012
1950-51	---	852S	C-1 UT	2054
CRUSADER MARINE				
6 CYL				
---	THERMO-ELECTRON, 230",292" ENG,	7023186,188	R-2 2G	2110
8 CYL				
---	283",348",390" ENG, MARK VII, VIII,IX, X	2955S,SA	C-4 AFB	2029
---	283" ENG, MARK IV,V	2618S,2912S	C-1 YH	2030
---	283",327" ENG	7015087,088,089,097,098,7020082 7023080,7024188	R-2 2G,2GC	2110
---	(THERMO-ELECTRON) 327", 409" ENG	7020084,085, 7023084,085,089	R-4 4GC R-4 4GC	3008 3005
CUSHMAN				
1 CYL				
---	OMC MODEL 100,109,200,218	3264S,3265S,3525S,3526S	C-1 N	3014

MAKE YEAR	ENGINE & MODEL	CARBURETOR NUMBER	MFG CODE & MODEL	KIT NO.
DAYTONA				
8 CYL				
---	283" ENG	7023187	R-4 4G	3007
---	327",409" ENG	7023088,181	R-4 4G	3005
DEARBORN MARINE				
6 CYL				
---	GOLDEN INTERCEPTOR 144" ENG	3117S	C-1 YH	2030
8 CYL				
---	INTERCEPTORS 125 239" ENG, 145 256" ENG, 160, 165 272" ENG, 175, 185 292" ENG, 215 312" ENG	2285S,2341S,2528S,2617S,2618S	C-1 YH	2030
---	289",361",390",427" ENG 210,240,260 H.P.	2853S,3285S,SA,3759S,3892S,3905S	C-4 AFB	2045
---	221", 260" ENG	3624S,3632S	C-2 ABD	1018
1959-61	361", 390" ENG	2853S,3285S	C-4 AFB	2045
EAST HOPE MARINE				
2 & 3 CYL				
1950-53	15-18 H.P. 10-20 H.P.	11213 11035	Z-1 62M	3002
FERGUSON TRACTOR				
4 CYL				
---	MH-50,F-40	2418S	C-1 UT	2054
---	TO-30,TO-35,A-HO-60 STATIONARY POWER PLANT	997S,2223S,2402S,2709S	C-1 UT	2054
---	TO-35,F-40,MH-50,MHF-202	2612S	C-1 UT	2054
1950	TRACTOR	803S,SA,2729S	C-1 UT	2054
FORD TRACTOR / INDUSTRIAL				
3 CYL				
1965-78	158,175,191,192,201 ENG 65,645, 2000,3000,4000	R-2923A,-1A,-2A,-3A,-4A,R-3012A,-2A,-3A, R-3013-2A,-3A,-4A,R-3655A,R-3656A,R-3657A R-4111A,-1A,R-4119A,-1A,R-4120A,-1A, R-4611A,R-6852A,R-6863A,R-7867A,R-7896A, R-8552A,R-8553A,R-8554A	H-1 1970	3015
4 CYL				
1939-49	TRACTOR	802S,SA,2728S	C-1 UT	2054
1965-70	233,256 ENG 5000, SELF-PROPELLED COMBINE	R-3210A,-1A,R-3658A-1A,-2AA R-3947A,-1A	H-1 1970	3015
1967-85	91,104,1100,1600	13345,13458,13470,13637,13725,13740,13743, 13806,13832,13838,13846,13860	Z-1 228	2088
6 CYL				
1941-48	TRACTOR "G" SERIES	R-134-7A,-7AS (1GA-A,5GA-A)	H-1 847	1007
1947-51	TRACTOR "H" SERIES	R-428S (7HA-A),R-537A(8HA-A), R-484AS,-1AS (7HT-A)	H-1 847	1007
1947-53	254" ENG	R-568A,AS (8MTH-A)	H-1 897	1007

MAKE YEAR	ENGINE MODEL	CARBURETOR NUMBER	MFG CODE & MODEL	KIT NO.
--------------	-----------------	----------------------	---------------------	------------

FORD TRACTOR / INDUSTRIAL - CONTD

8 CYL

1956-58	332"	R-1298-1A,R-1563A	H-2 1901-SFF	2130
1967-74	330",361",391" ENG	13313,14 (C7JZ-L,-M)	Z-2 WWZ	3012

GMC MILITARY

---	CONTL FS162 S40CP	13437		
---	FORD 192"	13672	Z-1 228	2088

4 & 6 CYL

1969-80	CHEV 153",250"	13448,13629,13632,13693,13697,13754, 13755,13756	Z-1 28/228	2088
---------	----------------	---	------------	------

6 CYL

1943-54	HERC, JXC,JXE3	S777,10937	Z-1 28	2088
1955-80	CONTL F226,227,245 H60,C,S60 H100,C,S100B,120,S120A,S125,S150A	12227,12443,13340,13388,13425,13426,13712 13777,13778	Z-1 228	2088

GIBSON

ALL YRS	TRACTOR H	802S,SA,2728S	C-1 UT	2054
ALL YRS	TRACTOR S,SD	803S,SA,2729S	C-1 UT	2054
ALL YRS	TRACTOR E,EF,EW,EFW	800S,SA,2726S	C-1 UT	2054

GRAYMARINE

4 CYL

---	4-52	586S	C-1 BB1 UPDFT	2050
---	SEA SCOUT 91	640S	C-1 BB1 UPDFT	2050
---	620	2035S	C-1 BB1 UPDFT	2050
1939	PHANTOM 4-75	8931	Z-1 20/23	2126
1939-60	PHANTOM, 4-35,-40,-45,-52	S546,9092,9255,10465	Z-1 63M	3002
	PHANTOM 4-62,-75	10296	Z-1 63M	3003
	PHANTOM 4-75,-86,-90	9511	Z-1 28	2088

6 CYL

	226	638S,3377S	C-1 BB1 UPDFT	2050
1937	CONT. ENG FIREBALL	8327	Z-1 20/23	2126
1939-63	EXPRESS, LUGGER, PHONTOM 6-7, -90,-93,-103,-112,-115,-125, -135,-146,-226,-244 (INCL 2 CARB)	S1359,9254,9685,A,B,9795,A-C,10466, 10870,11815,12972	Z-1 63M/263M	3003
	6-51	9255	Z-1 63M	3002
	FIREBALL 160,225,244 (3 CARBS)	9421,A-C	Z-1 28	2088
1954	F-226 CONTINENTAL 226" ENG	44-72	S-2 WW	2103

8 CYL

---	135,170,(250" ENG), 135,170, 185,225,(250" & 327" ENG)	2935S,3157S,3355S	C-1 YH	2030
-----	---	-------------------	--------	------

MAKE YEAR	ENGINE & MODEL	CARBURETOR NUMBER	MFG CODE & MODEL	KIT NO.
--------------	-------------------	----------------------	---------------------	------------

GRAYMARINE 8 CYL - CONTD

---	FIRE BALL V8 238 327" ENG	3116S, 3354S, 3887S	C-4 AFB	2045
---	327" ENG FIRE BALL 238	3116S, 3354S, 3887S	C-4 AFB	2045
---	287", 327" ENG	7023189, 7024080, 081	R-2 2GC, 2GV	2110
---	215", 327", 401" ENG	7020087, 7020991, 7024086, 182	R-4 4GC	3005

HERCULES INDUSTRIAL 2 CYL

---	C-2-90D, 88" LYCOMING-SPENCER	2743S, SA	C-2 WGD	2005
-----	-------------------------------	-----------	---------	------

HERCULES INDUSTRIAL 4 CYL

---	CV4-180	2428S, SA, 3002S	C-1 YF	2020
-----	---------	------------------	--------	------

HYSTER (LIFT TRUCK) 4 CYL

1956-80	CONTL F135, 163, Y112 H30E, 3000	12026, 12641, 13100, 13341, 13776, 13779	Z-1 28/228	2088
---------	----------------------------------	--	------------	------

8 CYL

1965-68	305" GMC MILITARY FORK LIFT	23-178 (381153)	S-2 WW	2100
---------	-----------------------------	-----------------	--------	------

INBOARD MARINE

---	164" ENG	7023182	R-1 H	2044
-----	----------	---------	-------	------

INTERNATIONAL HARVESTER 1 & 2 CYL

---	CUB CADET W/KOHLER ENG. (4-23 HP)	SEE KOHLER ENG. CARTER, KOHLER INTERCHANGE	C-1/K-1 N	3014
-----	--------------------------------------	---	-----------	------

4 CYL

---	U-123 POWER UNIT, NO. 76 HARVESTER-THRESHER, NO. 55 BALER	2338S	C-1 UT	2054
---	FARMALL TRACTOR SUPER C W/DISTILLATE ATTACHMENT	925S, SA	C-1 UT	2054
---	C60 ENG CUB, CUB LOW BOY	63349-C91, 251234-R92, -93, -94, 352063-R91, 356712-R91, 364579-R91, 368579-R91, 405004-R91	IHC-1 IH3/4	3013
1937-50	FARMALL SUPER A, AV, U2, A & B NO. 15 BAILER, NO. 62 THRESHER	801S- SA, 2727S	C-1 UT	2054
1949-54	FARMALL TRACTOR C, SUPER A, AV SUPER A-1	733S, SA, SB, 2222S	C-1 UT	2054
	W/DISTILLATE ATTACHMENT	734S	C-1 UT	2054
1949-55	FARMALL TRACTOR C, SUPER A, AV	2701S, 2706S	C-1 UT	2054
1950-54	U-2A INDUSTRIAL	795S, 2704S	C-1 UT	2054
1951-54	SUPER C W/DISTILLATE ATTACHMENT	2705S	C-1 UT	2054
	SUPER C	771S, SA, SB, 2703S	C-1 UT	2054
1954-55	100, SUPER A-1 W/DISTILLATE ATTACHMENT	2702S	C-1 UT	2054

MAKE YEAR	ENGINE & MODEL	CARBURETOR NUMBER	MFG CODE & MODEL	KIT NO.
--------------	-------------------	----------------------	---------------------	------------

INTERNATIONAL HARVESTER - CONTD
6 CYL

1941-42	GRD 233	9940	Z-1 28	2088
1958-75	BD,UB 220,264	12374,12419,12459,12521,12594,12635,12670, 12695,12872,12910,13042,13574	Z-1 228	2088

8 CYL

1968-74	V304,345,392 ENG	13392 (403009R94)	Z-2 WWZ	3012
---------	------------------	-------------------	---------	------

J. I. CASE

4 CYL

1934-44	C,CC,CI,CO TRACTOR	7015,7124,8672	Z-1 124 ½	3016
1940-50	S,SC TRACTOR, SP9 COMBINE	800S,SA,2726S	C-1 UT	2054
1948	A6 COMBINE	803S,SA,2729S	C-1 UT	2054
1945-50	A6 COMBINE, NCM BAILER	802S,SA,2728S	C-1 UT	2054

8 CYL

1964-69	H318 ENG 10,11,16-60, 1010 COMBINE	12980,13237	Z-2 WWZ	3012
---------	---------------------------------------	-------------	---------	------

JOHN DEERE

4 CYL

1940-41	33 COMBINE	800S,SA,2726S	C-1 UT	2054
1941-44	5A-9, 7A COMBINE	801S,SA,2727S	C-1 UT	2054

4 & 6 CYL

1935-45	1,2,3,5,A,7,9,17,35,36 COMBINE	7273,7274,7549,7982,8187,8260,8490, 8789,8875,8945	Z-1 124 ½	3016
---------	--------------------------------	---	-----------	------

8 CYL

1957-66	JD87X,217G,248G ENG 80,95, 105 COMBINE	12250,12478,12565	Z-2 WWZ	3012
---------	---	-------------------	---------	------

KAISER INDUSTRIAL

4 CYL

1953-70	IND POWER UNIT,134",134.2" ENG	938S,SA,SC,SD,951S,SA,2392S,SA, 2756S,3200S,4210S	C-1 YF	2020
1954-72	4L-151,4FB	11719,12018	Z-1 28/228	2088
1958	JA-1MA,2PA/8,3UB,3CD	2756S	C-1 YF	2020
1966	134" ENG	4210S	C-1 YF	2020

KERMATH MARINE

4 CYL

1946-50	WILLYS ENG SEA JEEP HS	S1351	Z-1 63M	3003
---------	------------------------	-------	---------	------

MAKE YEAR	ENGINE & MODEL	CARBURETOR NUMBER	MFG CODE & MODEL	KIT NO.
--------------	-------------------	----------------------	---------------------	------------

KERMATH MARINE - CONTD
6 CYL

1946-50	FORD ENG	S1477	Z-1 63M	3003
1950-52	SEA PRINCE	S1451	Z-1 63M	3003

6 & 8 CYL

1946-50	P6 SEA CHIEF	S1353	Z-1 63M	3003
---------	--------------	-------	---------	------

KIEKHAEFER MARINE

---	194" ENG (2 CARBS)	7020994.996	R-1 B,BC	2046
---	230" ENG (2 CARBS)	7024180,181 7025183,184,7025638,662	R-1 B,BC	2046
1972	460" ENG	R-6361A,AAA	H-4 4150	2061

KOHLER ENGINE
1 & 2 CYL

---	1A21,1.5M5,K7-1,12-1,30A,90,-1, -1.5M21,-1.5R21,91,141,S,T,160- 1M21,-1R21,161,181,S,T,KV181,S,T K191,241,S,AS,350M21,361,482,S, 532,S,582,600CJ1,682,750A21,782, KT-17,-19,-21 (4-23 HP)	SEE CARTER & KOHLER INTERCHANGE	C-1/K-1 N	3014
-----	--	---------------------------------	-----------	------

8 CYL

1979	461 FORD ENG	13856	Z-1 228	2088
------	--------------	-------	---------	------

LATHROP MARINE
4 CYL

1948-50	LH4	10784,12440	Z-1 62M/63M	3002
---------	-----	-------------	-------------	------

6 CYL

1950-53	LH6, LHD6, LH MASTER	11114,11207,11208	Z-1 263M	3003
---------	----------------------	-------------------	----------	------

LYCOMING INDUSTRIAL
4 CYL

---	CV4-180	2428S,SA	C1 YF	2020
-----	---------	----------	-------	------

LYCOMING-SPENCER
2 CYL

---	C2-90D	2743S,SA	C-2 WGD	2005
---	C2-90	2212S	C-1 BB	2050

MASSEY-HARRIS
4 CYL

---	TRACTOR MH-50	2418S	C-1 UT	2054
-----	---------------	-------	--------	------

MAKE YEAR	ENGINE & MODEL	CARBURETOR NUMBER	MFG CODE & MODEL	KIT NO.
MASSEY-HARRIS				
8 CYL				
1963-75	327"350" ENG 500, SP510 COMBINE, IND	12933,13204,13688	Z-2 WWZ	3012
MERCURY MARINE (MERCUISER)				
4 CYL				
---	89.7" ENG, 80	4394S (1346-2770)	C-1 RBS	3010
8 CYL				
---	283" ENG MCM/MIE 190	7023180,7026358 (1339-2249)	R-4 4GC	3007
---	454" ENG	R-6647A,AAA	H-4 4150	2061
---	327",409" ENG MCM/MIE 225	7020995,7023183,7025180,564,756, (1337-2103,-2604)	R-4 4GC	3005
MINNEAPOLIS - MOLINE				
4 CYL				
1934-40	JT,KTA,MTA, TRACTOR, 6 COMBINE	7045,7046,7116,7178,7225	Z-1 124 ½	3016
NEW HOLLAND				
8 CYL				
1967-74	330",361"391" COMBINE, INDUSTRIAL	13313,14	S-2 WWZ	3012
NEW IDEA FARM IMPLEMENT				
6 CYL				
1965-71	401M GMC ENG, UNI-SYS. POWER	23-190(381176)	S-2 WW	2100
NORDBERG MARINE				
6 CYL				
1946-51	HERCULES QXLD ENG, 230,320	S1338	Z-1 63M	3003
OLIVER TRACTOR				
4 CYL				
---	"77","66", SUPER "55"	923S,2257S	C-1 UT	2054
1940-50	ROW CROP & STANDARD 60,66,70, 77 HC	800S,SA,2726S	C-1 UT	2054
1942-50	COMBINE NO. 15,22,30	801S,SA,2727S	C-1 UT	2054
6 CYL				
---	"77","66", SUPER "55"	923S,2257S	C-1 UT	2054
1940-50	ROW CROP & STANDARD 60,66,70, 77 HC	800S,SA,2726S	C-1 UT	2054
1942-50	ROW CROP & STANDARD 60,66,70, COMBINE NO. 15,22,30	801S,SA,2727S	C-1 UT	2054

MAKE YEAR	ENGINE & MODEL	CARBURETOR NUMBER	MFG CODE & MODEL	KIT NO.
--------------	-------------------	----------------------	---------------------	------------

OLIVER TRACTOR - CONTD
4 & 6 CYL

1936-44	70 HC,KD TRACTOR, F,DG-B THRESHER,10,B-H GRAINMASTER, A,B,D, 12,30 COMBINE	7310,7516,7532,7551,7748,7794,7866,7869, 8232,8239,8240,8245,8566,8871	Z-1 124 ½	3016
---------	--	---	-----------	------

ONAN
1 CYL

---	AJ,AK,,JA,LK MOTOR GENERATOR	2270S,2271S,2460S,2461S,2463S, 2464S,3303S,3306S,3991S	C-1 N	3014
-----	------------------------------	---	-------	------

2 CYL

---	JC,JB,CCKB	3304S,3307S,3761S,3762S,3992S, 4039S,4091S,4159S,4215S	C-1 N	3014
-----	------------	---	-------	------

4 CYL

---	MOTOR GENERATOR 15HQ-3/1A	2054S	C-1 UT	2054
---	JC	3305S,3308S,3809S	C-1 N	3014

8 CYL

1942-45	V8-95 FORD ENG POWER PLANT	S472	Z-1 28	2088
1975	460 FORD ENG	13799	Z-1 228	2088

OUTBOARD MARINE (OMC, STERNDRIVE, CORBA)
4 CYL

---	153" ENG, L-4	7024089	R-1 BC	2046
---	153" ENG 120, (2 CARBS)	3971S,4208S	C-1 RBS	3010

6 CYL

---	225" ENG, V-6	7024087	R-1 BC	2046
---	225" ENG, 150,155	3951S,4207S	C-1 RBS	3009

OWENS MARINE
6 CYL

1945-48	M-2 ENG, FLAG SHIP	10265	Z-1 63M	3003
---	283",327" ENG	7023184,185	R-4 4GC	3007
1963	---	3585S	C-4 WCFB	2022

OWENS YACHT
6 CYL

1946-60	FLAGSHIP MARINE ENG 118 H.P. 90,100LH, 100Rh	6412S,4403S	C-1 BB1	2050
---------	---	-------------	---------	------

PACKARD
8 CYL

---	IND ENG MODEL 1-D-327	643S,SA	C-2 WDO	2028
-----	-----------------------	---------	---------	------

MAKE YEAR	ENGINE & MODEL	CARBURETOR NUMBER	MFG CODE & MODEL	KIT NO.
PALMER MARINE				
4 CYL				
---	HERCULES 1XB ENG, PH45	S1422	Z-1 63M	3002
6 CYL				
---	304" ENG	7023188	R-2 2G	3006
1945-46	HERCULES QXD ENG, PH75	S1233	Z-1 63M	3003
1955-69	PH 240 ENG, IH,PH	11814,12679	Z-1 63M/263M	3003
8 CYL				
---	345" ENG	7015091,7019084	R-4 4GC	3008
---	549" ENG	7015092,7024084	R-4 4GC	3005
REDWING MARINE				
4 CYL				
1946-50	WAUKESHA FC, KK, XAH ENG ARROWHEAD, JR	10419,10420	Z-1 62M	3002
	HERCULES IXLB5M ENG	10784	Z-1 62M	3002
6 CYL				
1946-53	WAUKESHA 6BZ ENG HIAWATHA HERCULES QXLD3 ENG	10421 10762	Z-1 63M Z- 263M	3003 3003
REINER & COMPANY (MILITARY ONLY)				
4 CYL				
---	STANDBY GENERATOR	2149S	C-1 UT	2054
1956	MILITARY	2438S	C-1 UT	2054
REVLEY MARINE				
6 CYL				
---	225" ENG	7024083	R-1 BV	2046
8 CYL				
---	401" ENG	7024182	R-4 4GC	3005
SCRIPPS MARINE				
4 CYL				
1951-53	34MS, 36HS	11277	Z-1 63M	3002
UNIVERSAL MOTORS - MARINE				
4 CYL				
1941-69	BN,FA,HF, SUPER FOUR ENG	S485,S486,S532,9911,10852,11482	Z-1 63M	3002
1948-53	BR	10896	Z-1 28	2088
6 CYL				
---	225" ENG	7024083	R-1 BC	2046

MAKE YEAR	ENGINE & MODEL	CARBURETOR NUMBER	MFG CODE & MODEL	KIT NO.
--------------	-------------------	----------------------	---------------------	------------

UNIVERSAL MOTORS - MARINE 6 CYL - CONTD

1936-53	AFB,AMS,HCS ENG	9777,9952,9978,10304	Z-1 62M/63M	3002
1946-51	HERCULES QXLD ENG 230,320	S1338	Z-1 63M	3003
1954-55	OK,OL	11640	Z-1 263M	3003

VOLVO MARINE 6 CYL

1947-48	D1700EC	10564	Z-1 63M	3003
1952-53	PENTA B1700ED,C1700ED	11382,11383	Z-1 63M	3002

WHIZZER 1 CYL

1948-51	MOTOR BIKE	655S,666S,703S,704S	C-1 N	3014
---------	------------	---------------------	-------	------

WILLYS INDUSTRIAL 4 CYL

---	MOTOR GENERATOR (MILITARY)	567S,SA,572S,SA,897S,933S,936S,984S	C-1 WO	2012
-----	----------------------------	-------------------------------------	--------	------

UNIVERSAL CARBURETORS

--	45" TO 75" ENG	431S,SA,SD	C-1 WO	2012
--	70" TO 130" ENG	853S	C-1 WO	2012
--	1 1/4" S.A.E. FLANGE	590S,591S	C-1 BBR1	2016
--	1 1/2" S.A.E. FLANGE	592S	C-1 BBR2	2016
--	1 1/4", 1 1/2" S.A.E. FLANGE	290S,291S	C-1 W1	2084
--	1", 1 1/4", 1 1/2" S.A.E. FLANGE	245S,SA,SD,289S,SD	C-1 BB1,1A,1D	2050
--	100",250" ENG 1 1/4" TO 1 1/2" SLOTTED FLANGE, (REPL CARB) MEASURING 2 11/16" OR 2 15/16" BETWEEN BOLT HOLES WITH A THROTTLE BORE NO LARGER THAN 1 9/16" FOR 1638cc TO 4096cc	413S,414S	C-1 WA-1	2090
--	SPECIAL HEAVY DUTY APPLICATIONS 1 1/4", 1 1/2" S.A.E. FLANGE W/ADJUSTABLE MAIN METERING JET	621S,692S	C-1 BBR1	2091
---	625 CFM	9641S		
---	750 CFM	9758S	C-4 AFB	2094
---	1 1/4" S.A.E. FLANGE	301S,383S	C-1 BBR	2120
---	1 1/2" S.A.E. FLANGE	302S,384S	C-1 BBR	2120

ALLIS KIT
 CHALMERS

 4020206,418
 985 3015
 4021137,138,
 618 3015

 CARTER KIT

 A-6A2,H2,
 P2,U1 2016
 A-17854 (637S) 2092
 B6A1,2 2120
 B6C1,2 2120
 B6E1,2 2120
 B6F1 2121
 B6G1 2121
 B6M1 2016
 B6N1 2016
 B6P1 2016
 B6R1 2016
 B6S1 2016
 B6T1 2016
 B6U1 2016
 B6V1 2016
 B6W1 2016
 C6,A,2,3,4 2120
 C6B1 2120
 C6D1,2 2120
 C6E1,2 2121
 C6F1,F2,F3,
 F4,F5 2095
 C6G1 2121
 C6H1 2095
 C6J1 2095
 C6K1 2095
 CTA,4 2120
 CTB,4 2120
 CTC1 2120
 CTD1,2 2120
 CTF1 2121
 CTH1,2 2095
 CTJ1 2095
 D6A1,2 2016
 D6C1,2 2016
 D6G1 2016
 D6H1,2 2016
 D6J1 2016
 D6K1 2016
 D6L1 2016
 D6L2 2016
 D6M1 2016
 D6N1 2016
 D6P1 2016
 D6P2 2016
 D6R1 2016
 D6S1 2016
 D6T1,2 2016
 D6U1 2016
 D6V1 2016
 B6W1 2016
 DTA1 2016
 DTA2 2016
 DTB1 2016

DTB1R 2016
 DTB2 2016
 DTB2R 2016
 DTB3 2016
 DTB3R 2016
 DTC1 2016
 DTD1 2016
 DTE1 2016
 DTE2 2016
 DTF1 2016
 DTF2 2016
 DTG1 2016
 DTH1 2016
 DTL1 2016
 DTL2 2016
 E6A,3,4 2120
 E6B1 2120
 E6C1 2120
 E6F1,2 2120
 E6G1 2121
 E6H1 2121
 E6I1 2121
 E6K1,K2,K3,K4 2095
 E6L1 2095
 E6M1 2095
 E6N1,2,3,6 2016
 E6P5 2016
 E6S1 2016
 E6S2 2016
 E6S3 2016
 E6T2 2016
 E6V1,2 2016
 E6V2R 2016
 E6UR 2016
 E6W1 2016
 E6W1R 2016
 E7A1 2016
 E7B1,C1,F1 2077
 E7D1,2,3,4 2077
 E7E1,2,3,4 2077
 E7J1,2,3,4 2091
 E7L1,2,3,4, 2016
 E7R1 2016
 E7S1 2077
 E7T1 2016
 E7T2 2016
 E7U1 2016
 E7U2 2016
 E7V1 2016
 E7W1 2016
 E8A 2120
 E9A1 2016
 E9B1 2016
 E9A1C 2016
 E9C1 2016
 E9G1 2016
 E9H1 2016
 E9J1 2016
 E9K1 2016
 E9N1 2016
 E9T1 2016
 E9U1 2016
 E9V1 2016
 E9K1 2016
 E9Y1 2016
 E9X1 2016

EA1 2016
 EB1 2016
 EB1R 2016
 EG1,EG2,EE1,
 EF1 2016
 EL1 2016
 ETB,4 2120
 ETD1 2120
 ETF2 2120
 ETG1 2121
 ETJ1,2 2095
 ETL1 2095
 ETN1 2016
 ETN2 2016
 ETP2 2016
 ETR1 2016
 ETR1R 2016
 ETT1 2016
 ETW1 2049
 ETW1U 2049
 ETW1RU 2049
 EU2 2016
 EV1,2 2016
 EX1,1R, 2,2R,3,
 3R 2016
 4A2 2050
 4A3 2050
 6A1 2050
 6A2 2050
 6B1 2050
 6B2 2050
 6B,6B1,6B2 2050
 6D1,6E1 2109
 6F1,6G1 2109
 6J2 3001
 6J3 3001
 6K2 3001
 6K3 3001
 6M1,6N1,2 2109
 4S 2132
 6S 2132
 32S 2132
 33S 2132
 46S 2132
 48S 2132
 74S 2132
 75S 2132
 79S 2132
 82S 2132
 85S 2051
 88S 2132
 89S 2132
 98S 2132
 101S 2051
 102S 2051
 103S 2051
 104S 2051
 105S 2132
 107S 2051
 111S 2051
 112S 2051
 115S 2051
 116S 2132
 117S 2051
 119S 2051
 120S 2132

121S 2051
 123S 2053
 125S (835849) 2053
 126S 2053
 130S,SA 2053
 134S,SA 2052
 136S (836126) 2052
 138S 2052
 141S 2052
 142S 2053
 145S 2132
 146S 2132
 147S,SA 2052
 149S 2052
 150S 2052
 152S 2052
 153S 2052
 155S 2052
 156S 2053
 159S 2052
 171S 2051
 181S 2052
 188S 2052
 197S 2052
 200S 2052
 209S 2053
 210S 2053
 212S 2015
 215S 2052
 219S 2051
 220S 2051
 221S 2051
 222S,SA 2015
 224S 2053
 225S 2052
 228S 2051
 233S 2052
 235S 2015
 241S 2053
 242S 2132
 243S 2015
 245S,SA,SD 2050
 252S 2051
 254S 2051
 255S 2015
 256S 2051
 258S 2015
 259S 2015
 260S 2015
 261S 2015
 266S 2015
 267S 2015
 276S 2015
 280S 2015
 281S 2084
 282S 2084
 283S 2015
 284S 2015
 285S 2015
 288S 2015
 289S,SD 2050
 290S 2084
 291S 2084
 295S 2084
 298S 2015
 299S 2084

CARTER	KIT						
301S	2120	392S	2055	488S	2028	608S,SA,SC	2006
302S	2120	394S	2015	489S	2050	609S,SA,SC	2006
303S	2120	395S	2015	490S	2122	611S	2038
304S	2120	397S	2084	491S	2123	613S	2085
306S	2015	400S	2015	492S	2001	615S,SA,	
307S	2015	401S	2015	493S	2011	SB,SC,SS	2091
308S	2015	402S	2055	494S	2011	616S	2001
309S	2084	407S(L)	2027	496S	2038	617S,SA	2091
310S	2084	408S(R)	2027	501S	2028	618S	2012
311S	2084	409S	2055	502S	2028	621S	2091
314S	2015	410S	2011	503S,SA	2028	622S,SA,SB	2011
315S	2015	411S	2084	504S	2013	627S,SA	2002
316S	2015	413S	2090	505S,SA	2028	628S	2016
317S	2055	414S	2090	506S,SA	2028	629S	2016
319S	2015	417S	2084	507S,SA	2012	630S,SA,SB	2056
320S	2120	419S	2028	509S	2122	633S	2080
321S	2015	420S	2015	510S	2123	636S,SA	2012
322S	2015	423S	2028	511S	2028	637S(A-17854)	2092
324S	2015	424S	2055	512S	2028	638S	2050
326S	2015	425S	2013	513S	2016	640S	2050
327S	2015	426S	2013	514S	2080	641S	2050
328S	2055	427S	2080	515S	2001	643S,SA	2028
329S	2084	428S	2080	517S	2050	644S,SA	2028
330S	2084	429S	2080	518S	2015	645S	2085
331S	2084	430S,SV	2028	521S	2015	647S,SA	2028
333S	2015	431S,SA,SD	2012	528S	2122	648S	2028
334S	2015	432S	2011	529S	2123	650S,SA	2028
335S	2015	433S	2011	530S	2072	651S	2013
338S	2015	434S	2015	531S,SA	2028	652S	2013
339S	2015	435S	2011	532S	2002	653S	2056
340S	2015	436S	2028	533S	2122	655S	3014
341S	2055	437S	2084	534S	2123	656S,SA	2091
342S	2015	438S	2084	537S	2013	657S	2056
344S	2055	439S	2016	538S	2028	661S	2002
345S	2055	440S	2028	539S	2012	662S,SA	2038
346S	2015	444S	2012	540S	2027	663S	2006
348S	2084	447S	2050	543S	2123	664S	2006
350S	2015	448S	2028	544S	2123	665S	2056
351S	2015	450S,SA	2012	545S	2015	666S	3014
352S	2015	453S	2012	548S	2027	667A,SA	2028
356S	2120	454S	2038	549S	2122	668S	2028
357S	2015	455S	2028	551S	2122	682S	2056
358S	2015	458S	2028	553S	2122	683S	2038
359S	2015	459S	2028	561S	2134	684S	2036
360S	2015	460S	2028	566S,SA	2122	685S,SA	2056
361S	2015	461S	2028	567S,SA	2012	686S,SA	2091
362S	2080	462S,SP	2011	569S	2001	689S	3014
363S	2055	463S,SP	2011	570S	2001	692S	2091
364S	2015	464S	2011	572S,SA	2012	694S	2038
367S	2055	465S	2028	574S	2001	695S	2028
368S	2120	466S	2013	577S	2134	698S	2012
371S	2015	467S	2013	578S	2122	699S	2050
373S	2055	468S,SA	2012	581S	2122	700S	2091
374S	2055	469S,SM	2027	583S	2122	703S	3014
377S	2055	471S	2027	584S	2012	704S	3014
378S	2015	472S	2011	585S,SA	2001	705S	3014
380S	2120	473S	2011	586S	2050	707S,SA	3014
382S	2015	474S	2028	588S	2091	709S	2013
383S	2120	477S	2072	589S	2001	710S	2013
384S	2120	478S	2028	590S	2016	714S,SA	2005
386S	2027	479S	2028	591S	2016	715S	2002
389S	2027	480S,SA	2028	592S	2016	717S	2013
391S	2015	481S	2013	595S,SA	2056	718S	2013
		483S	2001	596S	2012	719S,SA	2006
		486S	2122	605S,SA,SB	2095	720S,SA	2006
		487S	2122	606S,SA,SB	2095	722S	2056

CARTER	KIT	877SA	2108	2007S	3014	2116S	2114
		879S	2020	2008S	2020	2119S,SA	2022
723S	2056	882S,SA	2025	2009S,SA	2124	2122S	2056
725S,SA	2025	883S	2025	2013S	2125	2125S	2080
726S,SA	2025	884S,SA,SC	2112	2014S	2108	2126S	2022
728S,SA	2005	887S	3014	2015S	2005	2129S	2113
730S	2002	894S,SA,SC	2057	2016S	2022	2130S	2113
733S,SA,SB	2054	895S,SA	2030	2017S	2025	2131S	2113
734S	2054	896S	2022	2019S	3014	2141S	2031
735S,SA	2020	897S	2012	2020S	3014	2142S	2022
736S,SA,SB	2020	901S	2113	2023S	3014	2143S	2022
738S	2020	905S	2113	2025S	3014	2146S	2006
740S,SA,SB	2020	906S	2113	2026S	3014	2147S	3014
741S,SA,SB	2020	908S	2113	2027S	3014	2149S	2054
742S	2025	910S	2113	2028S	3014	2150S	3014
744S	3014	911S	2113	2029S	3014	2154S	2031
745S	2050	912S	2113	2030S	3014	2155S	2031
746S	2038	913S	2113	2031S	3014	2162S,SA,SB	2031
749S	2013	915S,SA	2020	2034S	2056	2163S	2020
756S,SA	2020	920SA	2114	2035S	2050	2171S	3014
757S,SA,SB	2108	923S	2054	2039S,SA	2112	2176S,SA	2031
763S,SA	2013	924S	2020	2041S	2022	2177S,SA	2031
764S	2013	925S,SA	2054	2042S	2005	2178S,SA	2031
767S	2005	927S	3014	2046A	2020	2180S,SA,SB	2031
768S	2020	928S	2005	2052S,SA	2005	2181S	2022
771S,SA,SB	2054	830S,SA,SB	2112	2053S	2057	2182S,SA,SB	2040
773S	2005	931S,SA,SB,SC	2112	2054S	2054	2184S	2012
776S	2005	932S	2022	2056S	3014	2185S	2022
777S,SA	2095	933S	2012	2058S	2040	2186S	2022
780S,SA	2038	934S	2012	2059S	2022	2189S	2012
781S	2005	935S,SA	2112	2060S	3014	2190S	2002
784S	2005	936S	2012	2061S	2056	2191S	2022
787S,SA,SB	2020	937S	2020	2062S,SA	2114	2192S	2114
788S,SA	2020	938S,SA,SC,		2063S,SA	2114	2193S	2114
789S,SA	2020	SD	2020	2066S,SA	2030	2194S	2114
792S	3014	939S	2020	2067S	2113	2197S	2057
795S	2054	941S	3014	2068S	2113	2204S	2025
799S	2016	949S	3014	2070S	2113	2206S	3014
800S,SA	2054	950S (804826)	2092	2071S	2020	2207S,SB	2040
801S,SA	2054	951S,SA	2020	2072S	2022	2210S	2022
802S,SA	2054	956S	2005	2075S	2050	2211S,SA	2030
803S,SA	2054	962S,SA,SB	2011	2080S	2022	2212S	2050
810S	2054	964S	2020	2081S,SA	2025	2214S,SA,SB	2022
811S	3014	965S	2020	2082S	2022	2215S	2114
812S	3014	966S	2020	2083S,SA,SB	3014	2217S	2054
813S	2005	967S	2020	2084S	2022	2218S	2022
814S	2020	968S	2013	2085S,SA	3014	2219S,SA,SB	2022
819S	3014	973S(F)	2030	2086S,SA	3014	2220S	2022
820S	2020	974S(R)	2030	2087S	3014	2221S	3004
824S,SA,SB	2108	975S	3004	2088S	2022	2222S	2054
830S,SA,SB	2112	979S	2112	2094S	2020	2223S	2054
832S	2020	980S	2091	2095S	3014	2224S,SB	2022
833S	2020	984S	2012	2096S	3014	2228S	3014
841S	2080	985S	2022	2100S	2020	2229S	2033
843S	2013	986S	2005	2101S	2020	2230S	2054
845S	2025	989S,SA	2002	2102S	2005	2231S,SA	2040
848S	3014	990S	2124	2103S	2022	2232S	2022
849S	2005	993SA	2114	2107S	3014	2236S	3014
850S	3014	994SA	2114	2108S	2002	2246S	2022
851S,SA	2005	996S	2057	2109S	2022	2248S	2114
852S	2054	997S	2054	2110S	2022	2249S	2114
853S	2012	999S	2005	2111S	3014	2252S	2040
870S	2012	2002S	3014	2112S	2022	2253S	2022
871S,SA,SB,SC	2050	2003S	3014	2113S	2013	2254S,SA	3014
876S	2108	2005S,SA	2022	2114S	2124	2255S	2022
		2006S	3014	2115S	2005	2257S	2054

CARTER	KIT	2362S	2022	2479S	2058	2618S	2030
		2364S,SA	2022	2480S	2058	2620S,SA	2034
2258S	2020	2365S	2022	2487S	2034	2621S	2032
2259S,SA,SB	2031	2366S,SA	2022	2488S	2034	2622S	2022
2260S,SA,SB	2031	2367S,SA	2022	2489S	2034.	2624S	2077
2261S,SA,SB	2031	2368S	2030	2492S,SA	3014	2625S	2029
2262S	2031	2369S	2030	2496S	3014	2626S	2022
2263S	2013	2370S,SA	2022	2500S	2074	2627S	2022
2264S	3014	2371S	2057	2505S,SA	2022	2628S	2022
2265S	2022	2372S	2057	2506S	2048	2631S(F)	2082
2266S	2022	2373S	2057	2507S	2029	2632S,SA(R)	2082
2267S	2022	2376S	3014	2512S,SA,SB, SC	2034	2635S	2022
2268S	2022	2378S	2074	2513S,SA,SB, SC	2034	2636S	2022
2270S	3014	2380S	2114	2514S,SA,SB, SC	2034	2640S,SA,SC	2045
2271S	3014	2382S	2114	2515S	2032	2641S	2083
2272S	3014	2392S,SA	2020	2516S	2032	2642S	2083
2273S	3014	2393S	2040	2517S	2032	2644S	2034
2274S,SA	2031	2394S	2022	2519S	2032	2645S	2034
2275S	3014	2399S	3014	2522S,SA,SB	2034	2646S	2034
2283S	2022	2400S	2074	2527S	2034	2647S	2032
2284S	2022	2402S	2054	2528S	2030	2648S	2032
2285S	2030	2403S	2114	2529S	2074	2649S	2032
2286S	2040	2404S,SA	2057	2530S,SA	2022	2650S	2083
2291S	2033	2406S,SA	3014	2532S	2022	2651S	2083
2292S	2074	2407S	2034	2533S	2022	2652S	2081
2293S	2114	2408S	2034	2534S(F)	2022	2653S	2081
2294S	2114	2409S,SA	2034	2535S(R)	2022	2655S	2022
2295S	2114	2410S	2114	2536S	2074	2656S	2004
2296S	2114	2417S	2002	2537S	3014	2657S	2004
2297S	2114	2418S	2054	2543S	2022	2660S	2082
2298S	2114	2419S	2022	2544S	2022	2664S	2133
2299S	2032	2420S	2031	2545S	2022	2665S	2133
2300S	2032	2422S	2033	2548S	2074	2669S	2004
2301S	2032	2423S	2033	2549S,SA	3014	2674S	2074
2302S,SA,SB	2022	2424S	2033	2550S,SA	2034	2675S	2074
2303S,SA,SB	2022	2428S,SA	2020	2555S	2022	2677S	3014
2306S	2032	2432S	2022	2559S	3014	2678S	3014
2307S,SA,SB	2022	2438S	2054	2561S,SA	3014	2679S	3014
2308S	2032	2439S	3014	2562S	3014	2681S	2016
2309S	2032	2440S	3014	2563S,SA	2022	2682S	2074
2310S	2032	2441S,SA	2045	2564S	2133	2685S	2032
2311S,SA	2022	2442S,SA	2057	2567S	2114	2686S	2083
2312S	2034	2443S,SA	2057	2568S	2114	2690S	2057
2313S	2034	2444S	2022	2569S	2114	2691S	2057
2314S,SA	2022	2445S	2022	2574S	2022	2692S	2057
2317S	2022	2448S	2083	2575S	2022	2696S	2058
2330S,SB	2022	2449S	3014	2576S	2022	2697S	2058
2333S,SA	2022	2450S	3014	2577S,SA	3014	2698S	2022
2334S,SA	2022	2451S	3014	2580S	2133	2701S	2054
2335S	2016	2453S	3014	2582S	2057	2702S	2054
2336S,SA	2054	2454S,SA	3014	2583S	2057	2703S	2054
2337S,SA	2054	2456S	3014	2584S	2057	2704S	2054
2338S	2054	2457S	3014	2586S,SA	2025	2705S	2054
2341S	2030	2458S	3014	2588S	2022	2706S	2054
2346S	3014	2459S	3014	2589S	2022	2708S	3014
2347S	2057	2460S	3014	2590S	2022	2709S	2054
2349S	2133	2461S	3014	2591S,SA	3014	2712S	2054
2350S	2025	2462S	3014	2593S,SA	2057	2713S	2054
2351S	2022	2463S	3014	2604S	2114	2714S	2054
2352S,SA	2040	2464S	3014	2612S	2054	2724S	2080
2354S	2022	2465S	3014	2613S	2022	2725S	2022
2355S	2022	2466S	3014	2614S	2022	2726S	2054
2358S	2057	2467S	2020	2617S	2030	2727S	2054
2360S	3004	2474S	2022			2728S	2054
2361S,SA	1016	2475S	3014			2729S	2054
		2476S	2022			2733S	2034

CARTER	KIT	2864S	2031	3116S	2045	3304S	3014
		2865S	2031	3117S	2030	3305S	3014
2735S	2034	2866S	2031	3123S,SA	2058	3306S	3014
2736S	2034	2867S	2031	3124S,SA,SB	2058	3307S	3014
2740S	2048	2868S	2031	3125S,SA,SB	2058	3308S	3014
2741S,42S	2082	2869S	2031	3131S	2083	3309S	2083
2743S,SA	2005	2876S	2133	3133S	2083	3310S	2029
2748S	2133	2877S	2029	3134S	2083	3314S	2045
2749S	2133	2887S,SA	2025	3140S	2083	3316S	1018
2750S	2083	2896S	2031	3148S	1019	3317S	2096
2756S	2020	2897S	2029	3149S	1019	3318S	2096
2757S	2108	2903S	2058	3152S	2083	3319S	2096
2761S(F)	2082	2906S	2081	3157S	2030	3322S	2025
2762S(R)	2082	2911S	2030	3159S	2097	3326S,SA	2058
2763S,SA	3014	2912S	2030	3160S	2097	3327S	1019
2764S	2080	2925S	2083	3161S	2097	3328S	1019
2767S,SA	2048	2926S	2083	3162S	2097	3329S	1019
2768S,SA	2048	2927S	2083	3165S	2004	3330S	1019
2771S	2114	2934S,SA	2097	3166S	2004	3331S	2108
2773S	2083	2935S	2030	3167S	2004	3337S	3014
2775S	2033	2944S	2096	3169S	2098	3343S	1019
2776S	2033	2947S	3014	3170S	2025	3345S	2029
2777S	2033	2948S	2076	3172S	2030	3347S	2096
2787S	2083	2950S	2083	3177S	2058	3348S	2096
2790S	2081	2951S	2058	3178S	2058	3349S	2096
2791S	2081	2952S	2058	3179S	1019	3351S	2058
2794S	2083	2955S	2029	3181S	2022	3352S	2058
2797S	2083	2960S	2096	3182S	2022	3354S	2045
2798S	2081	2965S,SA	1018	3186S	2097	3355S	2030
2799S	2081	2968S	2083	3190S	2004	3361S(F)	2029
2800S	2029	2969S	2083	3191S	2004	3362S(R)	2029
2801S	2083	2970S	2083	3195S	2030	3370S	2097
2802S	2058	2975S	2048	3200S	2020	3371S	2097
2805S	2083	2976S	2048	3202S	1019	3372S	2097
2806S	2083	2979S,SA	2074	3203S	1019	3373S	2097
2808S	2091	2980S,SA	2074	3204S	2045	3374S	2083
2812S	2083	2981S	2029	3205S	2004	3375S	2083
2813S	2083	2982S	2029	3206S	2098	3377S	2050
2814S	2058	2989S,SA	2034	3208S	2022	3079S,SA,SB	2020
2815S	2058	2990S	2083	3211S	2020	3380S	2108
2816S	2004	2991S	2083	3212S	3000	3389S	3000
2817S	2004	2992S	2045	3213S	2083	3390S	3000
2818S	2004	3002S	2020	3214S	2083	3392S	2083
2819S	2048	3010S	2029	3221S	2029	3393S,SA	2083
2820S	2048	3012S	2029	3247S	2083	3394S,SA	2083
2823S	2083	3035S	2030	3249S	2083	3402S,SA,SB,	
2829S	2004	3041S,SA	2045	3250S	2083	SC	2020
2830S	2004	3046S,SA	2097	3251S	2083	3407S	3014
2831S	2004	3059S	2004	3252S	2083	3408S	3014
2832S	2032	3060S	2004	3253S	2083	3409S	3014
2833S	2032	3061S	2004	3255S	2083	3410S	3014
2834S	2032	3062S	2098	3256S,SA	2083	3411S	3014
2836S	2083	3079S	2098	3257S	2083	3412S	3014
2837S	2074	3081S	2040	3258S	2081	3413S	3014
2838S	2074	3082S	1018	3259S	2081	3414S	3014
2840S	2029	3083S	2076	3264S	3014	3415S	3014
2845S	2074	3088S	2048	3265S	3014	3416S	3014
2853S	2045	3089S	2048	3266S	2029	3417S	3014
2854S	2083	3101S	2083	3269S	2029	3418S	3014
2855S	2083	3103S	2083	3270S	2029	3419S	2004
2856S	2083	3104S	2083	3283S	2034	3420S	2004
2858S	2133	3105S	2083	3285S,SA	2045	3422S	2004
2859S	2029	3106S	2083	3297S	2048	3423S	2004
2862S	2058	3107S	2083	3298S	2029	3434S	2025
2863S	2058	3108S	2083	3300S,SA	2058	3437S	2083
		3114S	2098	3303S	3014	3438S	2083

CARTER	KIT	3651S	2058	3900S	2058	4141S,SA	2030
		3655S	2058	3902S	2030	4145S,SA	2020
3445S	3014	3656S	2058	3903S	2058	4147S	2045
3447S,SA	2076	3660S	2029	3904S	2058	4148S	2045
3449S	3014	3665S	2048	3905S	2045	4157S	2029
3452S	2081	3679S	2058	3921S	2048	4159S	3014
3458S	3014	3686S	2058	3922S	2048	4167S	2077
3460S	2029	3687S	2058	3923S	2048	4168S	2058
3461S	2029	3692S,SA	2030	3924S,SA	2048	4169S	2058
3477S	2058	3696S	2004	3925S,SA	2048	4170S	2058
3478S,SA	2083	3697S	2004	3928S	2045	4171S	2058
3479S	2058	3701S	3014	3929S	2045	4179S	2048
3480S	2058	3702S	3014	3930S	2045	4180S	2048
3481S	2058	3705S,SA	2083	3931S	2045	4181S	2048
3499S	2029	3706S	2025	3932S,SA	3014	4191S	2025
3500S	2004	3707S	2025	3933S	2020	4200S	2083
3501S	2004	3714S	2040	3934S	2020	4204S	2045
3502S	2058	3720S,SA,SB	2029	3942S	3014	4205S	2045
3503S,SA	2048	3721S,SA,SB	2029	3944S	1019	4207S	3009
3505S	2048	3724S	2030	3945S	1019	4208S	3010
3506S	2086	3725S	2000	3951S	3009	4210S	2020
3507S	2000	3726S	2086	3963S	2029	4215S	3014
3518S	2109	3736S,3737S	3014	3971S	3010	4216S	2093
3520S,SA	2083	3738S	3014	3975S	2020	4242S	2048
3521S	2045	3739S	3014	3976S	2020	4243S	2048
3522S	2045	3740S	3014	3979S	3000	4244S	2048
3523S	2045	3743S	3014	3980S	2083	4245S	2048
3524S	2045	3744S	3014	3981S	3000	4246S	2048
3525S	3014	3745S	3014	3991S	3014	4248S	2048
3526S	3014	3746S	3014	3992S	3014	4258S	2093
3527S	3014	3747S,SA	3014	4018S	2020	4268S	3000
3535S	2025	3748S,SA	3014	4019S	2020	4288S	2083
3536S	2098	3759S	2045	4020S	2030	4289S	2083
3540S	2086	3761S	3014	4030S	2048	4295S	2083
3543S	2083	3762S	3014	4033S	2048	4298S	2083
3545S,SA	2058	3769S	2022	4034S	2048	4299S	2083
3564S	2083	3770S	2020	4035S	2048	4304S	2083
3566S	2040	3771S	2020	4037S	2048	4305S	2083
3569S	2030	3783S	2029	4039S	3014	4309S	2083
3574S	2058	3804S(R)	2029	4041S	2048	4310S	2029
3575S	2004	3809S	3014	4043S	2020	4311S	2083
3578S	2048	3808S	2086	4044S,SA	2020	4312S	2083
3579S	2048	3810S(F)	2048	4050S(F)	2048	4318S	2029
3585S	2022	3811S(R)	2048	4051S(R)	2048	4324S	2083
3586S,SA	2030	3821S,SA,SB	2020	4053S	2048	4325S	2083
3588S	2000	3826S	2048	4054S	2048	4326S	2083
3589S	2086	3827S	2048	4055S	2048	4327S	2083
3593S	2029	3828S	3014	4056S	2048	4328S	2083
3597S	3014	3849S	2004	4059S	2048	4329S	2083
3611S	2083	3953S	2083	4060S	2048	4331S	2048
3612S	2083	3854S	2083	4061S	2048	4332S	2048
3614S	2083	3855S	2083	4069S	2016	4337S	3014
3615S	2083	3856S	2083	4078S	2040	4343S	2083
3624S	1018	3858S	2083	4091S	3014	4344S	2048
3632S	1018	3859S,SA	2083	4119S	2083	4345S(F)	2083
3633S	2048	3860S,SA	2083	4120S	2083	4346S(F)	2083
3634S	2048	3861S	2083	4121S	2083	4352S	2093
3635S	2048	3871S	2083	4122S	2083	4353S	2093
3644S	2083	3887S	2045	4130S	2083	4354S	2093
3645S,SA,SB	2048	3888S	2025	4131S	2083	4355S	2093
3646S	2048	3892S	2045	4132S	2083	4358S	2093
3647S	2058	3893S	3014	4133S	2029	4360S	2045
3648SA	2058	3895S	2058	4136S	2083	4361S	2045
3649SA	2058	3896S	2058	4137S	2083	4362S	2045
3650S	2058	3898S	2058	4139S	2083	4363S	2045
		3899S	2058	4140S	2083	4365S	2025

CARTER	KIT	9503S	2094	40-9510D	1005	1GA-A	1007
4393S	2081	9504S	2094	48-9510-D,E	1005	5GA-A	1007
4394S	3010	9510S	2094	52-9510	1005	7HA-A	1007
4402S	2083	9511S	2094	52-9510-B,C,		7HT-A	1007
4403S	2050	9605S	2094	D,E	1025	7HW	1024
4410S	2025	9606S	2094	67-9510A,B,		7RT-A	1006
4413S	2048	9607S	2094	C,D	1005	8BA-A	1006
4430S	2083	9625S	2094	68-9510	1005	8BAS	1009
4431S	2083	9626S	2094	91A-9510A	1006	8CM-A,D,G	1009
4432S	2083	9627S	2094	922-9510A	1006	8EL-D,G	1009
4453S	2048	9635S	2094	922A-9510A	1013	8EQ-A	2127
4467S	2093	9636S	2094	3025137	1011	8EQH-A,E,J	2127
4468S	2093	9637S	2094	3025138	1011	8HA-A	1007
4469S	2093	9638S	2094	3025551	1011	8MTH-A	1007
4476S,SA	2083	9641S	2094	5750068	2045	8MWH	1024
4479S	2040	9755S	2094	5750069	1011	8RT-A,	
4537S	2025	9756S	2094	5750070	1011	E,F,G,H	1006
4555SA,SB	3010	9661S	2094	5750613	1011	59A-A	1006
4556SA,SB	3010	9757S	2094	5750614	1011	B3Q-A	1008
4557S	1019	9758S	2094	5751077	1011	B5A-G,H,M,	
4560S	2040			5751078	1011	N,Q,R	1010
4562S	2045	CHEVROLET	KIT	5751079	1011	B5A-J,K,P	1012
4583S	2093	344109	2132	5751094	1011	B6A-L,M,N	1010
4584S	2093	346896 (85S)	2051	5751095	1011	B6C-D	1012
4585S	2093	348538 (102S)	2051	5751294	2045	B6Y-A	1012
4619S	2083	473685 (260S)	2015	5751353	1011	B7A-A	1014
4620S	2083	595959 (358S)	2015	5751354	1011	B7A-AA,AB,	
4621S	2083	609428 (569S)	2001	5751355	1011	AS	1011
4622S	2093	835849 (125S)	2053	5751356	1011	B7A-B	1015
4623S	2093	836126 (136S)	2052	5751357	1011	B7A-E	1014
4624S	2093	836300 (150S)	2052	5751358	1011	B7A-F,G,K,R	1011
4660S	2093	836615 (212S)	2015	5751679	1021	S,T	1011
4661S	2093	836785 (222S)	2015	5751680	1021	B7A-H	1022
4662S	2093	836853 (235S)	2015	5751681	1021	B7A-L	1014
4663S	2093	837110 (259S)	2015	5751682	1021	B7A-P	1010
4664S	2093	837341 (284S)	2015	5751683	1021	B7A-Q	1014
4665S	2093	837373 (285S)	2015	5751706	1011	B7A-U	1022
4667S	2025	837894 (319S)	2015	5751765	1011	B7A-W	1014
4668S	2025	837918 (321S)	2015	5751766	1011	B7A-X	1015
4692S	2093	838013 (334S)	2015	5751784	1011	B7A-Z	1014
4699S	2083	838047 (335S)	2015	5751785	1011	B7AE-A	1022
4742S(F)	2083	838526 (346S)	2015	5751786	1011	B7AE-B	1011
4745S(R)	2083	838682 (391S)	2015	5751787	1011	B7J-A	1011
4746S(R)	2083	838938 (420S)	2015	5751874	1011	B7TA-A	1011
4816S	2025	838990 (434S)	2015	5751875	1011	B8A-A,E	1021
4817S	2025	839041 (447S)	2050	5752004	1020	B8A-K,L,N,P	1020
4950S	2025	839500 (483S)	2001	5752005	1020	B8A-D	1011
4969S(R)	2083	839515 (489S)	2050	5752040	2045	B8A-G	1011
4970S(R)	2083	839534 (492S)	2001	5752297	1017	B8A-R,S	1011
4971S(F)	2083	839662 (517S)	2050	5752299	1017	B8A-V,W	1021
6042S	2025	839987 (574S)	2001	5752304	1020	B9A-A,B,C	1020
6043S	2093	3688154 (684S)	2036	5752305	1020	B9A-D	1017
6044S	2093	3691701 (699S)	2050	5752306	1020	B9A-E	1021
6045S	2093	3693832 (745S)	2050	5752307	1020	B9AZ-B	1017
6046S	2093	3697088 (871S)	2050	5752308	1021	B9C-C	1017
6130S	2083	3704146		5752309	1021	B9EM-A,B	1017
6212S	2083	(871SA)	2050	5752310	1017	B9ET-A,B	1017
9263S	2083	3835156 (616S)	2001	5752312	1017	B9ME-A,B	1017
9264S	2083			5752313	1017	B9MF-A,B	1021
9400S	2094	FORD	KIT	5752425	1021	BBTOAA	1017
9410S	2094	A-9510B	1003	5752429	1017	BBTOBA	1017
9500S	2094	B-9510	1004	5752430	1017	BBTOGA	1017
9501S	2094	B-9510A,T	1002	1BA-A	1006	BBT1AA	1017
9502S	2094			1BAS-A	1009	BBT1BA	1017
				1CM-G2,K2,		BBT1GA	1017
				N2,S2	1009	BBT8EA	1017

FORD KIT
 BDM9AA 1017
 BEA9BA 1017
 BEA9BB 1017
 BNA7EA 1011
 COAE-B,D 1017
 COAE-H,M,R,
 S,AB,AC,AF,
 AG 1020
 C0AE-J,K 1021
 COAZ-A 1020
 COLE-A 2045
 C0LE-D 1018
 C0LE-G 1018
 COME-A,B,
 C,F 1017
 COME-G,K 1020
 COTE-C,D,E 1017
 C1AE-AA,AB 1020
 C1AE-AC,AD,
 AE,AF 1020
 C1AE-AG,AH,
 AK,AL 1021
 C1AE-AU,AV 1017
 C1AE-Y,Z 1020
 C1TE-AB 1011
 C1TE-AE,AF,
 AG 1017
 C1TE-E,K,L 1017
 C1VE-A,B,C,
 D,E 1019
 C2AE-AA,AB,
 AC, AD,AE,
 AF 1020
 C2AE-AG,AJ,
 AK,AL,AN,AR,
 AT,AU,AV,AY,
 AZ 1021
 C2AE-BA 1021
 C2AE-Y,Z 1020
 C2AF-A,AA,AB,
 AC,AD,AE,AF,
 AG,AH 1020
 C2AF-AJ,AK,
 AL,AM,AN,
 AR 1021
 N,S,T,U,Y,Z 1021
 C2AZ-C,D 1020
 C2AZ-G 1021
 C2OE-N,R,S,
 T 1020
 C2OF-N,R,S,T,
 AA,AB,AC,
 AD 1020
 C2SE-A,B 1017
 C2SE-C 1021
 C2SE-E 1017
 C2SF-A,B,C 1021
 C2TE-M,N,R 1017
 C2VE-A,B,C,
 D,E 1019
 C3AF-AK,AL,
 AM,AN,AR 1020

C3AF-AD,AT,
 AU, AV,AY 1021
 C3AF-AZ,BA,
 BD,BE,E,F 1020
 C3AF-BU,BV,
 BY,BZ 1021
 C3AF-N,R,S,
 T 1021
 C3DF-C,D,E,F,
 G,H,L,M 1020
 C3MF-A,B,C,
 D 1020
 C3MY-A,B,C,
 D 1020
 C3OE-N,R,S,
 T 1020
 AG,AH 1020
 C3OFAB,AJ 1021
 C3OF-C,D,E,F,
 G,H,L,M,AG,
 AH 1020
 C3SF-B 1021
 C3TF-H,J,K 1020
 C3VE-A,B,D,E 2045
 C4AF-A,B,C,
 BE,BV,BY,DD,
 DE,EB,EC 1020
 C4AF-AV,AY,
 AZ,BA,BB,BC,
 BJ,BL,BM,BN,
 BS,BT,CG,CJ,
 CK,CL,CM 1021
 C4AF-DA 2061
 C4AF-DF,DG,
 DH,DJ,DK,DL,
 DU,DV,DY,DZ,
 EA,EF,EH 1021
 C4AF-BE,BG,
 BH,BV,BY,C,
 DD,DE,EB,EC,
 EE,H 1020
 C4AF-K,N,R 1021
 C4AF-U,V 1017
 C4AZ-C,D 1021
 C4DF-A,B,AB,
 AC,E,F,J,K,N,
 R,S,T 1020
 C4GF-H,J 1017
 C4GF-AA,AB,
 AE,AF,AZ,BA,
 E,F,Y 1021
 C4GY-A,B 1021
 C4MF-A,D,E,L,
 M,N,R,S,T,U 1020
 C4MY-A,B,C,
 D,E 1020
 C4OF-A,B,D,
 E,J,K,L,U,AC,
 AE,AG,AK,AM,
 AS,BR,BS,BV,
 D,E,J,K,L,U 1020
 C4OF-AL,AT,
 BT,BU 1021
 C4SF-A,B,D,
 E,F,G 1021

C4TF-G,H,J,
 AE,AH,AJ,AK,
 BM,BN,BR,BS,
 G,H,J 1020
 C4ZF-E,F,N,R 1020
 C4ZF-C,D,G,
 H 1021
 C5AF-A,B,AH,
 AJ,C,D 1020
 C5AF-Z,AA,AC,
 AD,AE,AK,AL,
 AN,AR,AS,AT,
 AU,AV,AZ,BA,
 E,F,H,J,K 1021
 C5AF-BT 1012
 C5AZ-AU,AY 1021
 C5MF-A,B,C,
 D,E,F 1020
 C5MY-A,B,C,
 D,E,F 1020
 C5NE-E,G,H,
 J,K,L,S 3015
 C5-A,D,F,G,L,
 M,N,R 3015
 C5OF-J,K,L,
 M,T,U 1021
 C5SF-A,B 1021
 C5TF-B,C,T,
 Y,Z 1020
 C5VF-A,B,
 C,D 2045
 C5ZF-A,B,G,
 H 1020
 C5ZF-C,D,E,F,
 J,K,L,M 1021
 C6AF-A,B,C,
 Z,V,AA,AH 1020
 C6AF-E,F,G,H,
 J,K,L,AB,AC,
 AD, AE,AF,
 AG,AJ 1021
 C6DF-A,B,E,
 F,G,H 1020
 C6MF-A,D,J 1020
 C6MF-B,C,E,F,
 BE 1021
 C6MY-A,D 1020
 C6MY-B,C,E,
 F 1021
 C6NE-A 3015
 C6NN-A,B 3015
 C6OA-B 2060
 C6OF-A,B,C,
 K,L,AH 1020
 C6OF-D,E,H,J 1021
 C6OF-M,N 2061
 C6OZ-A 2060
 C6PF-D,F,L,N 1020
 C6PF-H,M 1021
 C6SF-A,B,C 1021
 C6TF-A,C,R,S,
 T,BG,BH 1020
 C6VF-A,B,E,
 F,J,K 2045
 C6ZF-A,B,C,
 D,E,F 1021

C7AF-N,R,S,
 T,U,V,Y,Z,AK,
 AS,AT,AU,BE,
 BN,BR,BT 1020
 C7AF-AL,AM,
 AN,AR 1021
 C7DF-E,F,G,
 H,N,R,S,V 1020
 C7JZ-L,-M 3012
 C7NN-A,B,C 3015
 C70F-J,K,L,M,
 U,AF,AK 1020
 C7TF-C,D,E,F,
 G,H,J,V,AH 1020
 C7VF-A,B,C,D 2045
 C7ZF-B,C 1021
 C8AF-D,L,M,N,
 R,S,T,U,AF,AG,
 AH,AJ,AK,AM,
 AN,AZ,BA,BB,
 BC,BD 1020
 C8AF-AE,BG 1021
 C8DF-E,F,H,
 M,S 1020
 C8NN-AA,BA,
 CA 3015
 C8OF-H,J,K,L,
 M,N,R,S,T,U,
 AE,AF 1020
 C8PE-A,B 1020
 C8PF-A,B,T,
 U 1020
 C8TF-Y,Z,AA,
 AB,AD,AE,AF,
 AG,AH,AY,AZ 1020
 C8TZ-N,Y,Z,
 AA,AB,AD,AE,
 AF 1020
 C8UF-H,J,L 1020
 C8VF-C 2045
 C8WF-A,AA 1020
 C8ZF-E,F,G,H 1020
 C8ZF-J,K 1021
 C8ZX-A 2061
 C9AF-A,B,C,
 T,J,Z 1020
 C9AF-S,SA 2061
 C9JJ-C 3015
 C9MF-A 1020
 C9MY-A 1020
 C9NN-A,B,C,D 3015
 C9OF-C 1020
 C9TF-A,J,K,L 1020
 C9UF-A,B 1020
 C9ZF-A,B,G,
 L,M 1020
 CC0AE-B 1017
 CC2AE-A,B 1017
 CDA7EA 1017
 CECG-A,B 1011
 D0AF-C,D,E,
 F,G,H,J,S,T,U,
 V,Y,Z,AA,AR,
 AS,AT,AU,
 AV 1020
 DOBF-C,D,F 1020

FORD KIT

DOOF-J,K,L,
M,T,U,V 1020

DOPE-AM 1020

DOPF-AH,AJ,
AM,CA 1020

D0TF-A,B,C,
M,N,R,S,Y,Z,
AA,AB,AC,AD,
AE,AF,AG 1020

D0UF-B,C,E,
F,G 1020

D0ZF-A,B,L 1020

D1AF-BA,DA,
FA,JA,KA,SA,
TA,UA,XA,YA,
ZA 1020

D1BF-AA 1020

D1FF-TA 2061

D1MF-FA,GA,
JA,MA,KA,
LA 1020

D1MY-F,G,J,
FA, 1020

D1OF-MA,NA,
PA,RA,UA,YA,
ZA,ABA,ADA,
AGA,AHA,
AJA 1020

D1PF-AA,BA,
CA 1020

D1TF-AA,CA,
EA,HA,LA,NA,
TA,AHA,AJA,
AKA,ALA,AMA,
ANA,APA, 1020

D1UF-AA,CA,
DA,FA,SA 1020

D1YF-CA,DA,
FA 1020

D1ZF-AA,ACA,
ADA,
AEA,SA,UA 1020

D2AF-EA,FB,
FC,FD,GA,,
GB,GC,GD,HA,
HB,HC,UC 1020

D2BF-AA,EA,
FA 1020

D2FG-AA,AB,
AC,BA,BB,BC 1020

D2GF-AA,AB,
AC,BA,BB,BC 1020

D2MFCA,CB,
DA,DB,EA,EB,
FA,FB,FC,FE,
FF 1020

D2OF-JA,KA,
KB,KD,NA,PA,
RA,UA,UB,
UC,VA 1020

D2PF-GA,GB,
HA,HB,JA,KA,
LA,MA,NA,PA,
RA 1020

D2TF-AA,AB,
BA,CA,DA,DB,
EA,EB,FA,FB,
FC,FD,GA,HA,
HB,JA,JB,KA,
TA,UA,YA,
AAA 1020

D2UF-AA,BA,
CA,DA,EA,HA,
JA,KA,LA,MA,
PA,YA 1020

D2WF-CA,CB 1020

D2ZF-EA,FA,
FB,HA,JA,KA,
LA,LB,LC,MA,
MB 1020

D3AF-CC,CD,
CE,DB,DC,JA,
KA,MA,NA,PA,
RA,RB,UA,XA,
ABA 1020

D3BF-AC,AD,
AE,BC,BD,BE,
EA,FA,GA,HA,
HB 1020

D3DE-AA 1020

D3DF-EA 1020

D3GF-AD,AE,
AF,BA,BB,
BC 1020

D3MF-AD,AE,
BA,CA,DA,EA,
FA,GA 1020

D3NN-B.C 3015

D3OF-AD,AE,
EA,FA,JA 1020

D3PF-DA,EA,
EB,,FA,FB,GA,
HA,HB,JA,KA,
KD,LA,MA,
VA 1020

D3TE-AA,AC 1020

D3TF-AB,BC,
BD,BE,CC,CD,
CE,DC,DD,DE,
DF,GC,HC,MB,
MC,MD,ME,NA,
SA,UA,VA,XA,
YA 1020

D3UF-AC,AD,
CC,CD,DC,EC,
FC,GC,RA,SA,
TA,YA 1020

D3WF-AC,CA 1020

D3ZF-EA,EB,
FA,GA,NA,
NB 1020

D4AE-CA,DA,
EA,FA,GA,HB,
KA 1020

D4AF-DA,EA 1020

D4BE-AA,BA,
CA,EA,FA 1020

D4DE-LA,NB,
PA,RA,RB,UA,
VA, 1020

D4DF-AA,BA,
NB,D4ME-BA,
CA 1020

D4MF-BA,CA,
DA,EA 1020

D40E-CA,EA,
FA,GA,JA 1020

D40F-AA,BA,
CA,DA 1020

D4PE-EA,EB,
EC,FA,FB,GA,
GB,HA,HB,JA,
KA,NA,PA,RA,
SA,TA,UA,VA,
VB,YA,YC,ZA,
AYA,AZA,BAA,
BBA,BCA,BDA,
BEA,BFA,BFB,
BGA,BKA,BPA,
BRA,BSA,BTA,
BUA,BVA,BYA,
BZA,CAA,CBA,
CCA,CDA,CEA,
CFA,CGA 1020

D4TE-DA,DB,
EA,GA,HA,JA,
LA,RA,SA,TA,
VA,ADA,AF,A,
AYA,AZA,BAA,
BCA,BKA,
CAA,EEA 1020

D4TF-AA,BA,
CA,DA,HA,
KA 1020

D4UE-BA,CA,
DA,EA,FA,GA,
HA,JA,UA 1020

D4UF-AA,BA 1020

D4ZF-NB 1020

D5NN-A 3015

DBAOAA 1020

DBAOAB 1020

DBAOAC 1020

DBOAD 1020

DBAOAE 1020

DBAOAF 1020

DBAOBA 1020

DBAPBA 1020

DBAOBB 1020

DBAOBC 1020

DBAOBD 1020

DBAOBE 1020

DBAOBF 1020

DA1AA 1020

DA1BA 1020

DBA1BB 1020

DBA9AA 1020

DBA9AB 1020

DBA9AC 1020

DBA9BB 1020

DBA9BC 1020

DEA9BB 1020

DEA9BC 1020

DFA0AA 1020

DFA0AB 1020

DFA0AC 1020

DFA0AD 1020

DFA0AE 1020

DFA0BA 1020

DFA0BB 1020

DFA0BC 1020

DFA0BD 1020

DFA0BE 1020

DFA1AA 1020

DFA1BA 1020

DFA1BB 1020

DFA0AA 1020

DFA0AB 1020

DFA0AC 1020

DFA0AD 1020

DFA0AE 1020

DFA0BA 1020

DFA0BB 1020

DFA0BC 1020

DFA0BD 1020

DFA0BE 1020

DHM0BA 1020

DHM0BC 1020

EAB-C,D,E,F 1006

EAB-A,G,H,
SB,SAI 1008

EAC-K,L,M,R 1008

EAC-E2,G2,
J2 1008

EAD-B2,D2 1008

EAD-H,-K 1023

EAD-L 1008

EAD-M,-N,-S 1023

EAL-A,C,G,J,
M,N,R,S,T,U 1008

EAM-A,C,G,J,
M,N,R,S,T,U 1008

EBJ-D,F,G,H 1010

EB4-B,D,E,F,
G,H 1006

EBU-B,D,E,
F,G,H 1012

EBV-H,J,K,L 1012

EBY-G,H,J,K 1010

EBZ-B,C,D,E 1008

ECG-J,K,L,M,
N,R,S,T,U,AL,
AM 1012

ECG-AC,AD 1011

ECG-AS,AT,
BE,BF,BG,BH 1011

ECG-AU,AV,
-AY,AZ,BA,
BJ,BK 1014

ECJ-C,D,E,
F,G,H,L,M,N,R,
S,T,U,V,Y,Z,
AA,AB 1010

ECJ-AA,AB 1010

ECJ-AC,AD 1011

ECK-C,D,E,F,
G,H,S,T,U,V 1010

FORD KIT
 ECL-B 1010
 ECR-B,-C,-D,-F 2105
 ECR-K 2105
 ECS-A,ECR-A,-E,ECT-A 2130
 ECS-B,C,D,E 2105
 ECT-B,C,D,E 2105
 ECU-B,C,D,E 1010
 ECW-D,E,F,G,H,J,K,L,M 1012
 ECW-R,S 1011
 ECY-A,B,C,D,E 1011
 ECZ-A,B,G,H 1010
 ECZ-D,F 1016
 ECZ-G,H 1010
 ECZ-K 2045
 ECZ-L,M 1010
 ECZ-V 1022
 ECZ-Y 1022
 ECZ-AA 2045
 ECZ-AD 1022
 ECZ-AC 1022
 ECZ-B,G,H 1010
 ECZ-K 2045
 ECZ-L,M 1010
 ECZ-U,Z 1015
 ECZ-V 1022
 EDB-C 1010
 EDB-J,K,N 1014
 EDB-L,M 1011
 EDB-Y,Z 1011
 EDB-U,V,AF,AG 1020
 EDB-AC,AD 1011
 EDC-A,B 1020
 EDC-C,D 1021
 EDC-E,H 1011
 EDG-A,B 1021
 EDT-A,D 2045
 EDT-B,C 1021
 EFA0AA 1021
 EFA0AB 1021
 EFA0AC 1021
 EFA0BA 1021
 EFA0BB 1021
 EFA0BC 1021
 EFA9AA 1021
 EFA9AB 1021
 EFA9AC 1021
 EFA9BB 1021
 EFA9BC 1021
 EZC-Y 1022
 JJ-A 2130
 JL-B 2130
 KBA1AA 1020
 KBA1BA 1020
 KBA1BB 1020
 KFA1AA 1020
 KFA1BA 1020
 KFA1BB 1020
 LSA1SA 1021

LSA1TA 1021
 LSA1TB 1021
 LSA1WA 1021
 LSA1XA 1021
 LSA1XB 1021
 MAK-A 1009
 OEL-A 1009
 PB8M-A,G 1020
 PB8M-J,K 1021
 PB9E-B,C,D,G 1020
 PB9M-B 1020
 PB9M-D 1021
 PB9M-H 1020
 SE-67-9510 1025

FORD T & I KIT

C5NE-E,G,H,J,K,L,S, 3015
 C5NN-A,D,F,G,L,M,N,R 3015
 C6NE-A 3015
 C6NN-A,B 3015
 C7JZ-L,M 3012
 C7JZ-R 2088
 C7NN-A,B,C 3015
 C8NN-AA,BA,CA 3015
 C9JJ-C 3015
 C9NN-A,B,C,D 3015
 D0JJ-C,-E 2088
 D1JJ-F 2088
 D3JL-H,-N 2088
 D3NN-B,C 3015
 D5NN-A 3015
 D6JL-A 2088
 D7JL-D 2088
 D8JL-B 2088
 D9JL-K,-R,-S,-T 2088
 JJ-A 2130
 JL-B 2130

GENERAL MOTORS KIT

E-1840 2088
 E-3100 2088
 2070995,996,997,998,999 2088
 2071000,001,002,003,004 2088
 2071137 2088
 2071494 2088
 2090624 2088
 2090837 2088
 2090838 2088
 2090895 2088
 2091111 2088
 2091308 2088
 2100276,277 2088
 2100292 2088

2100310,311,312,313 2088
 2100341 2088
 2103100 2088
 2103586,587 2088
 2103822 2088
 2103965 2088
 2104074 2088
 2104204 2088
 2104580 2088
 2104626,627 2088
 2135998 2088
 2136092 2088
 2136234 2088
 2136236,238 2088
 2136242 2088
 2136339 2088
 2136340 2088
 2136341 2088
 2136434 2088
 2191985 2088
 2192371,372,373 2088
 2192598 2106
 2192602 2106
 2193150 2088
 2193393 2106
 2193494,495 2088
 2193714 2088
 2193815 2106
 2194114,115 2088
 2194226 2127
 2194847,849,851 2088
 2194967 2088
 2305718,719,720,721 2088
 2307888,889,890 2106
 2311319 2088
 2319309,310 2088
 2326028,029 2088
 2331832,833,834,835 2107
 2331839 2107
 2331840 2107
 2332429,430,431 2088
 2334972,973,974,977,978,979 2088
 2335201,202,203 2088
 2341685 2088
 2342896,897,898 2088
 2343140 2105
 2343632,633 2088
 2345113,114 2107
 2351727 2088
 2356552 2107
 2359476 2105
 2367336 2105
 2369507 2088
 2371941 2105
 2399093 2088

2401421 2088
 2477064 2100
 5814938 2088
 5827988 2088
 5843117 2088

HOLLEY KIT

R-120-2AS,-3A,-3AS 1006
 R-126-1AS 1006
 R-134-7A,-7AS 1007
 R-202-AS 1006
 R-297-2A 2129
 R-299-1A 2129
 R-300-2A 2129
 R-308A 2129
 R-327A 2129
 R-328A 2128
 R-332A 2128
 R-334A 2129
 R-335A 2129
 R-337A 2128
 R-356-1A 2129
 R-357-1A 2129
 R-358-1A 2129
 R-369A 2129
 R-370A 2129
 R-371A 2129
 R-372A 2129
 R-385A 2128
 R-386A 2128
 R-388A,-1A,-2A,-3A,-4A,-5A,-6A,-7A 2106
 R-389A 1012
 R-392A 2128
 R-402A,AS 1006
 R-410A 2106
 R-414A 2128
 R-415A 2128
 R-428A 1007
 R-433A 1024
 R-480A,-1AAS 2127
 R-483AS 1006
 R-484AS,-1AS 1007
 R-493-1A,-2A,-3A 1009
 R-496-1A 1009
 R-501-1A 1024
 R-502A 2128
 R-520A 2128
 R-527A 2128
 R-528A 2128
 R-532A,-1A 2106
 R-537A,AS 1007
 R-544A 2129
 R-545A 2129
 R-547A,-1A,-2A 2106
 R-551A 1024
 R-552A,-1A 2129
 R-565A 2129

HOLLEY	KIT	R-759A	1006	R-939A,-1A,		R-1161A,-1A,	
R-568A,AS	1007	R-766A,AAS,		-2A	2104	-2A,-2AAS	1010
R-587AS	1009	-1A,-1AAS	2127	R-945A	2129	R-1162A,-1A,	
R-588A,-1A,		R-767A,AS,		R-950-1A,-2A	1012	-2A	1010
-2A,-3A,-3AS,		1A,-1AAS	2127	R-951-2A,-3A	1012	R-1163A,-1A,	
-4A,-4AS	2107	R-771-1A,-2A,		R-957-1A,-2A	1010	-2A	1010
R-595A,-1A,		-3A	1023	R-958A	2104	R-1164A,-AS,	
-2A	2106	R-772A	2106	R-959A	2104	-1A,-2A	1010
R-596A,-1A,		R-775A	2127	R-966A,-1A,		R-1169A	2105
-2A	2106	R-782A,-1A	1008	-1AS	2106	R-1170A	2105
R-597AS	1009	R-789A	2106	R-967A	2106	R-1212A,-1A	1011
R-598AS	1009	R-792A,-1A	1012	R-977A	2105	R-1251A,AS	2105
R-602A,-1A,		R-793-1A,-2A	1012	R-987A,-1A,		R-1259A	2107
-2A	2127	R-795A,-1A	1008	-2A	2105	R-1260A	2107
R-605A,-1A	2129	R-797A	2127	R-991-1A,-2A	1010	R-1268A	1010
R-609A	1007	R-798A	2127	R-992-1A	1010	R-1272A,-1A	1022
R-619A	2106	R-799A	2128	R-997-1A,-2A	1010	R-1273A,-1A,	
R-626A	2106	R-802A	1012	R-998-1A,-2A	1010	-2A,-2AS,	
R-628A,-1A	2129	R-803-5A,-6A,		R-1034A	2107	-2AAS	1022
R-629A,-2A	2106	-7A,-7AS,	1010	R-1035A	2107	R-1281A,-1A,	
R-630A,-2A	2106	R-803-7AAS	1010	R-1040A	1010	-2A,-3A,-4A	1011
R-631A	2106	R-804-5A	1010	R-1043A	2130	R-1282A,-1A,	
R-633A,-1A	2127	R-818A,-1A,		R-1044A,-1A,		-2A,-3A,-4A	1011
R-634A	2127	-2A,-3A,	1008	-1AAS	1012	R-1283AA,	
R-635A	2127	R-818-3AS,		R-1051A	2107	AAS	1012
R-637-1A	1009	-3AAS	1008	R-1052A	2107	R-1284A,AAS	1012
R-638A	1009	R-822A,AS,		R-1053A,AAS	2105	R-1290A	2105
R-641-3A	2127	AAS	1006	R-1054A	2130	R-1291A,-1A	2105
R-646-1A,		R-834A	2127	R-1056-1A,		R-1292A	2105
-2A,-4A	1008	R-848-2A	1012	-2A,-3A	2107	R-1298-1A	2130
R-649A,AS	1006	R-850AA,-1A,		R-1057-1A,		R-1308A	1007
R-652A	1009	-1AA,-2A,	1008	-2A,-3A	2107	R-1312A,AS,	
R-653A	2129	R-850-2AA,		R-1067A	2105	-1A,-1AAS	1022
R-663A	1008	-2AAS	1008	R-1071A	2107	R-1312-2A,	
R-665A,-1A,		R-851-1A,-2A,		R-1073A	2107	3A,4A	2060
-1AA,-3A	1008	-2AA,-2AAS	1008	R-1074A,-1A,		R-1343A,-1A	2107
R-670A	2127	R-854A	1006	-2A,-2AAS	1010	R-1348A,-1A	2105
R-672A	2129	R-864A,-1A,		R-1075A,-1A,		R-1359A	2105
R-679A	1009	-1AAS	2105	-2A	1010	R-1371A,-1A,	
R-683A,-1A,		R-866A	1012	R-1076A,-1A,		-2A	1011
-2A	2127	R-872A	2127	-2A,-2AAS	1010	R-1379A,-1A,	
R-689A	1009	R-873A	2127	R-1077A,-1A,		-2A	1011
R-690A	1009	R-874A	2127	-2A,-2AS	1010	R-1380A,-1A,	
R-694A,-1A,		R-875A	2127	R-1078A,-1A,		-2A	1011
-2A,-2AS,		R-882A,-1A,		-2A,-2AS	1010	R-1381A,AS,	
-2AAS	1008	-2A,-2AS,		R-1081A	2106	AAS	1012
R-695A,AS	1006	-2AAS	1008	R-1090A,-1A,		R-1382A,AAS	1012
R-696A,AS,		R-891,-AS-1A,		-2A,-3A	2105	R-1389A,-1A	1012
-1A	1006	-2A,-2AS,		R-1091A,-1A,		R-1390A,AAS	2105
R-701A	1006	-2AAS	1023	-2A	2105	R-1391A,AAS	2105
R-712A	2106	R-893A,AS,		R-1092A,-1A,		R-1392A,-1A,	
R-713A,AAS	1006	-1A,-1AAS	1008	-2A	2105	-1AAS	2105
R-718A,-1A,		R-894A,AS,		R-1094-1A,		R-1406A,-1A	1011
-2A	1008	1A,-1AAS	1008	-2A,-3A,-4A,		R-1411A	2107
R-720A	2106	R-902A	2129	-4AAS	1010	R-1412A,-1A	1011
R-728A,-2A	1008	R-908A,-1A,		R-1095A	2106	R-1433A,-1A	1012
R-740A,AAS	2127	-1AAS	1012	R-1096A	2106	R-1434A,AS(R)	1010
R-741A,AAS	1006	R-909A,AS,		R-1097A	2106	R-1437A,AS(F)	1010
R-745A,-3A,		AAS	1012	R-1125A,-1A	2130	R-1448A	2105
-4A,-4AAS	1008	R-910A	2106	R-1126A	2130	R-1449A	2105
R-750A	1006	R-923A	2106	R-1127A	2130	R-1461A	2104
R-753A	1006	R-924A	2106	R-1156A,-1A	1012	R-1485A-1A	1011
R-756A	2127	R-925A	2106	R-1157A,-1A	1012	R-1486A,-1A	1011
		R-938-1A,-2A,		R-1158A,-1A	1012	R-1487A,-1A	
		-3AAA	2104	R-1159A,-1A	1012	-2A,-3A	2129
				R-1160A,-1A	1012	R-1488A,-1A	2129

HOLLEY KIT

R-1500A, AAS 2105

R-1552A,-1A 1011

R-1563A 2130

R-1565A,-1A 1012

R-1589A 2105

R-1590A 2105

R-1591A 2105

R-1592A 2105

R-1593A,-1A 2105

R-1594A,-1A,-2A 2105

R-1595A,-1A 2105

R-1596A 2105

R-1597A,-1A 2105

R-1604A 1011

R-1605A,-1A 1011

R-1606A,-1A 1011

R-1669A,-1A 2105

R-1673A 1011

R-1674A 1011

R-1681A,-1A 1011

R-1682A,-1A 1011

R-1691A,AAS 2105

R-1710A,-1A,-2A,-3A,-4A,AAS,-5A,AAS,6AAS 1017

R-1711A,-1A,-2A 1017

R-1716A 2104

R-1737-1A 2060

R-1738-1A 2060

R-1740-1A 2060

R-1748A,-AS,-1A,-1AS 1022

R-1748-2A 2060

R-1768A,AAS 2105

R-1769A,-1A 1011

R-1770A,-1A 1011

R-1771A,-1A 1011

R-1772A,-1A 1011

R-1774A,AAS 1011

R-1779A,-1A 1011

R-1780A,-1A 1011

R-1792A,-1A,-2A,-3A 2105

R-1797-1A 1017

R-1798-1A 1017

R-1806A,-1A 1017

R-1807A,AAS,-1A,-1AAS 1017

R-1812A,AS,AAS 1012

R-1835A 1017

R-1836A 1017

R-1837A,AS,AAS 1017

R-1843A 1017

R-1844A,AA,AAA,AAS,-1AAS 1017

R-1847A,-1A,-1AAS 2060

R-1848A,AS,-1A,-1AAS 2060

R-1849A,AA,AAS 2060

R-1850A,AAS,1AAA,2AAA,3AAA,4AAA 2060

R-1863A 1017

R-1864A,-1A,-1AAS 1017

R-1866A 1017

R-1868A 1017

R-1924A 1017

R-1929,AAS,-1AAS 1017

R-1952AA,AAS 1011

R-1957A 1022

R-1957-1A 2060

R-1958A 1022

R-1958-1A 2060

R-1960-1A,2A 2105

R-1967A 2105

R-1968A 2105

R-1974A,AAS 1011

R-1985A,-1A 2107

R-2011A,-1A 1017

R-2012A,AS,-1A,-1AS 1017

R-2013A,AS,-1A,-1AS 1017

R-2014A 1017

R-2015A,AS 1017

R-2031A 1017

R-2032A 1017

R-2040A,AS,-1A,-1AS 1017

R-2049A 1017

R-2050A 1017

R-2065A 1017

R-2094-1A 2105

R-2112A,AS,AAS 2060

R-2142A,-1A 2060

R-2143A,AS,-1A,-1AAS 2060

R-2228A,AS 1017

R-2233A 1017

R-2234A,AS 1017

R-2235A,AS 1017

R-2258A,AS 1017

R-2326A 2107

R-2328A,AS 2060

R-2337A,AS,AAS 1017

R-2361A 2105

R-2389A 2107

R-2406A,-1A 2105

R-2407A 2105

R-2408A 2105

R-2409A,-1A,-2A 2107

R-2410A,-1A,-2A 2107

R-2415A,AAS 1017

R-2436A,AS,AAS 1017

R-2437A,AS,AAS 1017

R-2442A,-1A,-2A 1017

R-2460A 2105

R-2461A,-1A,-2A 2105

R-2463A,-AAS,-1A,-1AAS,-2A,-2AAS,-3AAS 1017

R-2464A 2060

R-2486A,-1A,-2A 2105

R-2487A 1017

R-2488A,AS 1017

R-2489A,AS,AAS 1017

R-2497A,AS,AAS 1017

R-2498A,AS 1017

R-2499A,AS,AAS 1017

R-2520A,-1A,-1AAS,-2A,-3A,-3AAS 1017

R-2575A,-1A,-2A,-2AAS,-3A,-3AAS 2107

R-2576A,-1A,-2A,-3A,-3AAS 2107

R-2582A,-1A 1017

R-2583A,AS 1017

R-2599A,AS,AAS 2060

R-2603AAS 1017

R-2634A,-1A 2105

R-2640A,AAS 1017

R-2647A,AAS,1A,-1AAS 2111

R-2651A,AAS,-1A,-1AAS 2111

R-2652A,-1A,1AS,-1AAS 2060

R-2660-1A,-2A 2106

R-2668A,AAS 2060

R-2669A,-1A 2105

R-2687A 2060

R-2691A,-1A 2106

R-2692A,-1A 2104

R-2702A,-1A 2105

R-2728A,-1A 2105

R-2760A,-1A 2105

R-2772A 2104

R-2804A,AS,AAS, 2060

R-2805A,AS,AAS 2060

R-2818A,AAS,-1A,-1AAS,-2A 2061

R-2855A 2061

R-2867A,AAS 1017

R-2868A,AAS 1017

R-2869-1A 2105

R-2871A,-1A,-2A 3015

R-2881A,AAS,-1AAS 1017

R-2882A,AAS,-1AAS 1017

R-2919A 2061

R-2923A,-1A,-2A,-3A,-4A 3015

R-2926A,AS,AAS 2060

R-2927A,AS,AAS 2060

R-2929A 2060

R-2934A 1017

R-2976-1A,-2A,-3A 1017

R-2977A,-1A,-1AAS-2A,-2AAS,-3A 1017

R-2978A-1A,-2A,-3A,-4A 1017

R-3005A 2060

R-3012A,-2A,-3A 3015

R-3013-2A,-3A,-4A 3015

R-3018A 2104

R-3019A 2106

R-3020A 2105

R-3021A 2107

R-3022A,AAS 2107

R-3023A 2105

R-3043A,AAS 2061

R-3044A 2060

R-3045A 2060

R-3074A,AAS 2060

R-3075AAS 1017

R-3086A,-1A,-1AAS 2107

R-3113AAS 2060

R-3114AAS 1017

R-3115AAS 2060

R-3124A,AAS 2061

R-3130A,AAS 2061

R-3139A,-1A,-1AAS 2060

R-3140A,-1A,-1AAS 2060

R-3160-1A,-1AAS 2107

R-3164A 2107

R-3165A 2107

R-3166A,AAS 2107

R-3167A 2107

R-3201A,AAS 2060

R-3202A 2060

R-3203A,AAS 2060

R-3208A,AAS 1017

R-3210A,-1A 3015

R-3230A,AAS 2060

R-3245A,AAS 2061

HOLLEY KIT
R-3246A,AAS 2061
R-3247A,AAS 2061
R-3257A,-2A,
-3A 3015
R-3267A,AAS 2060
R-3268A,AAS 2060
R-3300A,AAS 2060
R-3301A,AAS 2060
R-3310A,AAS,
-1A,-1AAA, 2061
R-3360A,AAS 2060
R-3361A,AAS 2060
R-3367A,AAS 2060
R-3370A,AAS 2060
R-3391A,AAS 2060
R-3394A,AAS
-1A,-1AAS 2060
R-3410A,AAS 2060
R-3411A,AAS 2060
R-3418A,-1A,
-1AAS 2065
R-3419A,AAS 2060
R-3420A 2060
R-3448A 2105
R-3485A,AAS 1017
R-3486AAS 1017
R-3487A,AAS 1017
R-3488AAS 1017
R-3489AAAS 2060
R-3490AAS 2060
R-3491AAS 2060
R-3492AAS 2060
R-3502-2A,
-2AAS 1017
R-3503A,-1A,
-1AAS,-2A
-2AAS,-3AAS 1017
R-3518A,-1A 2105
R-3530A,AAS 2061
R-3551A,AAS,
-1A,-1AAS 1017
R-3552A,AAS,
-1A,-1AAS,
-2A 1017
R-3557A,AAS 2061
R-3602A,AAS,
-1A,-1AAS 2060
R-3605A,AAS 2060
R-3606A,AAS 2060
R-3607A,AAS 2061
R-3608A,AAS 2060
R-3609A,AAS 2060
R-3613A,AAS 2061
R-3615-2A 2111
R-3649-2A,
-3A 1017
R-3655A 3015
R-3656A 3015
R-3657A 3015
R-3658A,-1A,
-2A 3015
R-3659A,AAS
(F & R) 2066

R-3660A,AAS
(CTR) 2066
R-3666A 2105
R-3679-1A,
-2A,-3A,
-3AAS 1017
R-3720A 2107
R-3806A 2064
R-3807A,
AAS 2064
R-3810A,
AAS 2064
R-3811A,
AAS 2064
R-3814A,
AAS 2064
R-3815A,
AAS 2064
R-3836A,
AAS 2064
R-3837A,
AAS 2064
R-3838A,
AAS 2064
R-3839A,
AAS 2064
R-3855A,AAS,
-1A,-1AAS 1017
R-3863A,AAS,
-1A,-1AAS,
-2A 1017
R-3864A,AAS,
-1A,-2A 1017
R-3865A,AAS,
-1A,-1AAS,
-2A 1017
R-3866A,AAS,
-1A,-1AAS,
-2A 1017
R-3867A,AAS,
-1A,-1AAS,
-2A 1017
R-3868A,AAS,
-1A,-1AAS,
-2A 1017
R-3869A,AAS,
-1A,-1AAS,
-2A 1017
R-3870A,AAS,
-1A,-1AAS 1017
R-3871-1A 1017
R-3872A,AAS,
-1A,-1AAS 1017
R-3873-1A,
-2A 1017
R-3888A,AS
(CTR) 2066
R-3903AAS 1012
R-3910A,
AAS 2061
R-3911A,
AAS 2061
R-3914A,-1A 2105
R-3936-3A,
-4A 1017
R-3937-2A 1017

R-3938-2A,
-3A,-4A,-5A 1017
R-3947A,-1A 3015
R-3963A 2107
R-3975A,
AAS 2111
R-3991A,-1A,
-1AAS,-2A 1017
R-4005AAS 2060
R-4006AAS 2060
R-4014A,AAS 1017
R-4015A,AAS 1017
R-4025A,AAS 1017
R-4027AAS 1017
R-4032A,AAS 1017
R-4053A,AAS 2061
R-4054A,AAS 2065
R-4055A,-1A,
-1AAS (CTR) 2066
R-4056A,-1A,
-1AAS
(CTR,R) 2066
R-4068A,AAS 2060
R-4077A 1017
R-4078A,-1A,
-1AAS,-2A 1017
R-4079A,-1A,
-1AAS,-2A 1017
R-4080A,-1A,
-1AAS,-2A 1017
R-4081A,-1A,
-1AAS,-2A 1017
R-4082A,-1A,
-1AAS,-2A 1017
R-4083A,-1A,
-1AAS,-2A 1017
R-4084A,-1A,
-1AAS,-2A 1017
R-4111A,-1A,
-1AAS 3015
R-4118AAS 2061
R-4119A,-1A 3015
R-4120A,-1A 3015
R-4129A,AAS 2061
R-4144A,-1A,
-1AAS 2066
R-4175A,AAS,
-1A,-1AAS 2066
R-4201A 2061
R-4223AAS 2065
R-4224AAS 2061
R-4295A,AAS 2065
R-4296A,AAS 2065
R-4326A,-1A 2129
R-4327A,-1A 2104
R-4328A,-1A 2104
R-4329A,-1A 2106
R-4330A,-1A 2106
R-4331A,AAS 2107
R-4332A,AAS 2107
R-4333A,AAS 2107
R-4334A,-1A 2105
R-4335A,-1A 2105
R-4336A 2105
R-4337A 2105
R-4338A 2105

R-4339A,-1A 2105
R-4340A 2105
R-4341A 2105
R-4342A 2105
R-4343A 2105
R-4344A,-1A 2105
R-4346A,AAS 2061
R-4366A,AAS 2061
R-4365A,AAS,
-1A,-1AAS 2066
R-4374A,-1A,
-1AAS 2066
R-4375A,AAS,
-1A,-1AAS 2066
R-4376A,AAS,
-1A 2066
R-4377A,-1A,
-1AAS 2107
R-4378A,-1A,
-1AAS 2107
R-4382A,AAS,
-1A,-1AAS 2066
R-4383A,AAS,
-1A,-1AAS 2066
R-4391A,AAS 2066
R-4392A,AAS 2066
R-4393-1A,-2A,
-2AAS 2066
R-4394-1A,-2A,
-2AAS 2066
R-4397A,AAS 2060
R-4428A,-1A 2107
R-4430A,-1A,
-2A,-2AAS 2105
R-4438A,AAS 2107
R-4439A,AAS 1017
R-4446AAS 1017
R-4452AAA,
AAS,-1AAA,
-1AAS 2060
R-4455AAS 2061
R-4456A,AAS 2061
R-4473A,AAS 2060
R-4476A,AAS 1017
R-4477A,AAS 1017
R-4486A 2061
R-4489A,AAS,
-1A,-1AAS 2061
R-4490A,AAS 2061
R-4491A,AAS,
-1A,-1AAS 2061
R-4492A,AAS 2061
R-4493A-1A,
AAS,-1AAS 2065
R-4517AAA,
-1AAA,-2AAA 1017
R-4545A 2061
R-4546A 2061
R-4548AAA 2060
R-4549A,AAS 2060
R-4550A,AAS,
-1A 2060
R-4554A-1A,
-1AAS 2061
R-4555A,AAS 2061

HOLLEY KIT

R-4556A,-1A
-1AAS 2061
R-4557A,AAS 2061
R-4558A,-1A 2065
R-4559A,AAS 2065
R-4577AAS 2061
R-4581AAS 2060
R-4608A,AAS 2060
R-4611A 3015
R-4633A 2105
R-4634A,-1A,
-2A,-3A,-4A 2105
R-4635A,-1A,
-2A,-2AAS 2105
R-4636A,-1A,
-2A,-3A,
-3AAS 2105
R-4643AA,
AAA,AAS,
-1AAA,-1AAS
-2AAA,-3AAA 1017
R-4669A 2066
R-4670A,AAS 2066
R-4671A 2066
R-4672A,AAS 2066
R-4679A 2107
R-4699AAS 2060
R-4742AAA 2061
R-4776AAA,
-1AAA,2AAA 2065
R-4777AAA,
-1AAA,-2AAA 2065
R-4778AAA,
-1AAA,-2AAA 2065
R-4779AAA,
-1AAA,-2AAA 2065
R-4780AAA,
-1AAA,-2AAA 2065
R-4781AAA,
-1AAA,-2AAA 2065
R-4788AAA 2065
R-4789A,AAS
(F) 2066
R-4790A,AAS
(R) 2066
R-4791A,AAS 2066
R-4792A,AAS
(C) 2066
R-4800A,AAS,
-1A 2061
R-4801A,AAS.
-1A 2061
R-4802A,AAS,
-1A 2061
R-4803A,AAS,
-1A 2061
R-4815AAA,
AAS 2061
R-4830A,AAS 2065
R-4989-1AAS 2061
R-6106A-1AAS
(F) 2066

R-6106A,AAS
(C) 2066
R-6107A-1AAS
(R) 2066
R-6109AAA 2065
R-6151A,AAA 2060
R-6152A,AAA 2060
R-6221-AAA,
-1AAA,2A 1017
R-6231A,AAA,
-1AAA 2060
R-6238A,-1A 2061
R-6239A,-1A 2061
R-6267AAA,
-1AAA,2AAA 2060
R-6291AAA
-1AAA 2060
R-6294A,AAA,
-1AAA,-2AAA,
-3AAA,-4AAA 1017
R-6313A,-1A,
-2A,-3A,-3AAS 2105
R-6314A,-1A,
-2A,-3A,-4A 2105
R-6315A,-1A,
-2A,-3A 2105
R-6317A-1A 1017
R-6361A,
-AAA,-1AAA 2061
R-6397A,-1A,
-2A 2104
R-6398A,-1A 2106
R-6399A,-1A,
-2A,-3A 2105
R-6404A,AAS
(C) 2066
R-6405A,AAS
(F) 2066
R-6406A,AAS
(R) 2066
R-6407A 2060
R-6433AAA,
-1AAA,-2A,
-3AAA 1017
R-6437A,-1A 2104
R-6438A 2106
R-6439A,-1A,
-2A 2105
R-6456A,AAS 2105
R-6470AAA 1017
R-6513AAA,
-1AAA,-2AAA 1017
R-6520AAA
-1AAA 2060
R-6526A 2105
R-6590A,
-1A 2060
R-6591A 2060
R-6625A,-1A 2104
R-6626A,-1A 2105
R-6627A,-1A,
-AAS 2105
R-6647A,AAA 2061
R-6672A,AAA 2105
R-6705A 2111
R-6729A 2060

R-6730A 2060
R-6804A 2104
R-6805A 2104
R-6806A 2106
R-6807A 2105
R-6808A 2105
R-6809A 2105
R-6810A 2105
R-6811A 2105
R-6812A 2105
R-6833A 2106
R-6834A,AAS 2105
R-6842A 2107
R-6851A 2105
R-6852A 3015
R-6855A,
-1AAA,-2AAA 1017
R-6863A 3015
R-6887A 2060
R-6909AAA 2060
R-6986AAA,
-1AAA 1017
R-7008A,AAA,
-1A,-1AAA 1017
R-7049AAA 2060
R-7053AAA,
-1A,-1AAA 2060
R-7108AAA,
-1A,-1AAA,
-2AAA 1017
R-7109A 2105
R-7154AAA 2060
R-7262A 2060
R-7412A 2105
R-7413AAA 2060
R-7451A,AAA,
-1A,-1AAA 1017
R-7508A,AAA,
-1AAA 1017
R-7509A,AAA,
-1AAA 1017
R-7561A,AAA 1017
R-7662A 2060
R-7717A,AAA 1017
R-7718A,AAA 1017
R-7719A,AAA 1017
R-7867A 3015
R-7896A 3015
R-8000AAA,
-1AAA 1017
R-8207AAA 2060
R-8208A 1017
R-8209A 1017
R-8210A 1017
R-8211A,AAA 1017
R-8223A 1017
R-8224AAA 1017
R-8225AAA 1017
R-8226AAA 1017
R-8227A,AAA 1017
R-8228AAA 1017
R-8418A,AAS 2060
R-8419A,AAS 2060
R-8420A,AAS 2060
R-8421A 2060
R-8552A 3015

R-8553A 3015
R-8554A 3015
R-8572AAA 2061
R-8639A,AAA 1017
R-8640A,AAA 1017
R-8641A,AAA 1017
R-8651AAA 1017
R-8701A 1017
R-9035AAA 1017
R-9117AAA 1017
R-9188AAA 2061
R-9463AAA 1017
R-9473A,AAA 1017
R-9562AAA 1017
R-9697AAA 1017
R-9876AAA 1017
R-9954AAA 1017
R-9965A,AAA,
-1AA 1017
R-9981A,AAA 1017
R-80001A,AA,
-1A 1017
R-80003A,AAA 1017
R-80006A,AAA 1017
R-80011A,AA,
AAA 1017
R-80145AA 2061
R-80151AAA 1017
R-80159AA 2061
R-80179AA 1017
R-80216AAA 1017
R-80221AA 1017
R-80222AA 1017

INTL KIT

26132-H1 2129
26133-H1,-H2 2129
26134-H1,-2 2129
26134-H1,-H2 2129
26135-H1,-H2 2129
42250DMA 2088
54887-R92 2129
54888-R92,-
-R93 2129
54889-R92,
-R93 2129
54890-R92,
-R93 2129
57161-R91,
-R92 2128
57164-R91,
-R92 2128
61624HC 2088
61620H-HE 2088
61621H-HE 2088
61622H-HE 2088
61623H-HE 2088
61624HC 2088
61625HC 2088
61626HC 2088
61627HB 2088
63349-C91 3013
63957HC 2088
64538DM 2088

INTL KIT

64886-R91 2128
 64887-R91 2128
 70553-R-92 2129
 71343-R91 2128
 71344-R91 2128
 71367-R91 2088
 71424-R91 2128
 71425-R91 2128
 71441-R91 2088
 72458-R91, -R92 2129
 75147H-HF 2088
 75385-R92 2129
 76560-R92 2088
 79005-R91 2088
 79006-R91 2088
 84033-R91, -R92, -R93, -R94 2106
 84034-R91, -R92, -R94 2106
 84650-R91, -R93 2020
 84651-R91, -R92, -R94 2020
 85143-R91 2088
 85462-R91, -R93, -R94 2020
 85463-R91, -R92, -R94 2020
 85680-R91, -R93 2129
 88694-R91, -R93 2129
 88695-R91, -R94 2106
 88696-R91, -R94 2106
 89454H 2088
 89887-R91 2088
 90783-R92 2106
 91527H 2088
 93851H 2088
 93852H 2088
 93853H 2088
 93854H 2088
 93855H 2088
 93856H 2088
 93857H 2088
 93858H 2088
 93915H 2088
 95088HB,HC 2088
 95089HB,HC 2088
 95090HB 2088
 96194-R91 2129
 97403-R91 2129
 98574H 2088
 98575H 2088
 98576H 2088
 98577H 2088
 98578H 2088
 98579H 2088
 99222HA,HB 2088

99223H,HA, HB,HD 2088
 99224H,HA, HB,HC,HD 2088
 99298H,HA 2088
 99299H 2088
 99300H 2088
 99301H 2088
 99302H 2088
 99303H 2088
 99699HB,HC 2088
 100866HB 2088
 103305H 2088
 103306H 2088
 104384-R92 2106
 107098-R91 2020
 107256H 2088
 108291H 2088
 110724H 2088
 110725H 2088
 110726H 2088
 110727H 2088
 111736-R91 2106
 113473-R91, -R92 2127
 113474-R91, -R92 2127
 114571-R91 2127
 114572-R92 2127
 114956-R91 2128
 116458HA 2088
 116459HA 2088
 121561HA 2088
 123192H 2088
 123852H 2088
 125904-R91 2129
 126582-R91, -R92, -R93 2104
 126583-R91, -R92 2104
 131215-R91 2129
 131873-R91 2105
 131879-R91 2105
 131979-R91 2104
 131980-R91 2104
 132242-R91 2106
 132243-R91 2106
 133154-R91 2088
 133607-R92 2107
 133608-R92 2107
 133733-R91 -92 2105
 134644H 2088
 134876-R91 2105
 135983H 2088
 135984H 2088
 142002-R91 2130
 143167-R91 2130
 166088-R91A, -R91F 2105
 176960-R91 2129
 179336-R91 2129
 199735-R91 2104
 219264-R91 2105
 219265-R91 2107
 219266-R91 2107

219267-R91 2105
 227637-R91, -R92 2105
 251234-R92, -93, -94 3013
 257434-C91, -C92 2106
 260554-C91, -C92 2106
 260612-C91, -C92 2104
 265260-C92 2105
 276358-C92 2105
 276808-C92 2105
 290045-C91, -C92 2107
 293961-C91 2105
 294220-C92 2107
 294241-C92 2105
 294270-C91 2105
 294307-C92 2107
 294308-C92 2107
 294309-C92 2107
 294318-C91 2104
 294319-C91 2106
 294797-C93 2107
 294798-C93 2107
 294799-C93 2107
 305735-R91 2088
 310899-R91 2088
 310906-R91 2088
 310945-R91 2088
 310945-R92 2088
 317557-R91 2088
 320161-R91 2088
 320358-C91 2105
 321019-R91 2088
 346933-R91 2088
 346933-R92 2088
 347565-C91 2107
 352063-R91 3013
 353856-R91 2088
 356712-R91 3013
 364579-R91 3013
 368579-R91 3013
 379486-C91 2129
 379487-C91 2104
 379488-C91 2104
 379489-C91 2106
 379490-C91 2106
 379491-C91 2107
 379492-C91 2107
 379493-C91 2107
 379494-C91 2105
 379495-C91 2105
 379496-C91 2105
 379497-C91 2105
 379498-C91 2105
 379499-C91 2105
 379500-C91 2105
 379501-C91 2105
 379502-C91 2105
 379503-C91 2105
 382233-C91 2105
 391937-C91 2107
 391938-C91 2107

391939-C91 2107
 395139-C92 2107
 400939-C91 -C92 2105
 400940-C91 2105
 400941-C91 -C92, -C93 2105
 400942-C91, -C92 2105
 403009-R94 3012
 405004-R91 3013
 427197-C91, -C92, -C93 2105
 427198-C91, -C92, -C93 2105
 428038-C91, -C92, -C93 2105
 428054-C91, -C92 2106
 428055-C91, -C92, -C93 2104
 428056-C91, -C92, -C93, -C94 2105
 428057-C91 -C92 2104
 433121-C91 -C92 2106
 433122-C91 -C92, -C93 2105
 442258-C91, -C92 2104
 442259-C91, -C92 2105
 442260-C91, -C92 2105
 451896-C91 2104
 451897-C91 2104
 451898-C91 2106
 451899-C91 2106
 451900-C91 2105
 451901-C91 2105
 451902-C91 2105
 451903-C91 2105
 451904-C91 2105
 451967-C91 2106
 451968-C91 2105
 451990-C91 2107
 463282-C91 2105
 470400-C91 2105
 702167-C91 2107
 750982-C92 2105
 866683-R91 2107
 868455-R91 2105
 868987-R91 2105
 868988-R91 -R92, -R93 2107
 868989-R91, -R92, -R93 2107
 868990-R91 2105
 872470-R91 2107
 873640-R92 2107
 873641-R92 2107
 879313-R91, -R92 2105
 890314-R91 2105

INTL	KIT	A-234494	3014	48-053-09	3014	7007240,241,	
891597-R92	2105	F-234494	3014	48-053-10	3014	242	2059
968680-R91		A-234553	3014	48-053-11	3014	7007800	2059
-R92,-R93,		A-234641	3014	48-053-12	3014	7007900	2073
-R94	2107	D-235058	3014	48-053-13	3014	7007942	2059
968681-R91,		E-235058	3014	48-053-14	3014	7007950	2018
-R92,-R93,		E-235295	3014	48-053-17	3014	7007970,971	2059
-R94	2107	E-235500	3014	48-053-18	3014	7008004,005	2019
4051155-R91	2088	E-235501	3014	52-053-01	3014	7008230,231	2059
4052466-R91	2088	235502	3014	52-053-02	3014	7008383	2019
1303293-R91	2104	E-235517	3014	52-053-09	3014	7008387,388	2019
N-37509A,B,		A-235580	3014	52-053-10	3014	7008389	2019
C,D,E,F	2106	A-236267	3014			7008393,394	2019
		A-236271	3014	ROCHESTER KIT		7008399	2019
		A-236636	3014	7001374	2018	7008610	2073
KOHLER	KIT	A-236967	3014	7001570	2010	7008695,696	2019
200360A	3014	A-237003	3014	7002050,051	2018	7008697	2073
200370A	3014	A-237490	3014	7002570	2010	7008706	2019
210360A	3014	A-237491	3014	7002870	2018	7008737	2021
210435A	3014	A-237492	3014	7002900	2014	7008750,751	2073
220100A	3014	237684	3014	7002900	2014	7008800	2026
A-220451	3014	A-237685	3014	7003029	2018	7008800	2026
D-220451	3014	A-237771	3014	7003029	2018	7008930,931	2019
KOHLER	KIT	A-237772	3014	7003060	2018	7009070,071	2059
G-220517	3014	A-237772	3014	7003152	2018	7009100	2059
A-220538	3014	A-237918	3014	7003160	2018	7009200	2073
A-220574	3014	E-275249	3014	7003526	2018	7009253,254,	
A-220745	3014	E-275276	3014	7003863,864,		255	2018
F-220762	3014	F-275276	3014	865	2018	7009258,259	2018
C-220777	3014	E-275338	3014	7003953	2018	7009300	2026
A-221069	3014	F-275338	3014	7003986	2018	7009345	2019
C-227061	3014	275364	3014	7004200	2014	7009470,471	2073
A-227235	3014	C-277061	3014	7004300	2071	7009600(F)	2073
A-227329	3014	277329	3014	7004468	2018	7009601(R)	2073
A-227373	3014	277373	3014	7004475,476,		7009656,657	2046
230100A	3014	A-277910	3014	477,478	2018	7009661	2021
A-230224	3014	41-053-02	3014	7004495	2018	7009662	2073
A-230226	3014	41-053-06	3014	7004500	2071	7009750,751	2073
A-230246	3014	41-53-13	3014	7004620	2018	7009784	2046
F-230350	3014	45-053-02	3014	7004800	2071	7009829,830	2024
230444	3014	45-053-04	3014	7004915	2018	7009831,832	2079
G-230500	3014	45-053-06	3014	7005100	2071	7009846	2021
F-230501	3014	45-053-08	3014	7005140	2018	7009900,901	2073
F-230502	3014	45-053-09	3014	7005600	2071	7009902	2059
B-230610	3014	45-053-12	3014	7005700	2071	7009904,905,	
A-230798	3014	45-053-38	3014	7005810	2019	906	2073
A-231069	3014	45-053-39	3014	7005900	2059	7009907,908	2019
A-231099	3014	45-053-40	3014	7005921,922	2018	7009914	2073
A-231132	3014	47-053-02	3014	7005982	2018	7010070	2042
B-231231	3014	47-053-03	3014	7006000	2059	7010100,101	2024
F-231287	3014	47-053-04	3014	7006100	2019	7010516,517	2046
B-231450	3014	47-053-05	3014	7006200	2059	7010647,648,	
B-231469	3014	47-053-07	3014	7006201	2018	649	2019
E-231480	3014	47-053-08	3014	7006215	2071	7010680	2018
E-231488	3014	47-053-08	3014	7006215	2071	7010680	2018
E-231489	3014	47-053-09	3014	7006220,221	2059	7010716,717,	
A-231738	3014	47-053-12	3014	7006250	2071	718,719	2019
B-231738	3014	47-053-13	3014	7006770	2019	7010750	2019
C-231738	3014	47-053-15	3014	7006825	2019	7010925,926	2073
B-231739	3014	47-053-16	3014	7006962,963	2059	7010958,959,	
B-231740	3014	47-053-17	3014	7006970	2019	960	2019
A-231741	3014	47-053-20	3014	7007000	2059	7011102	2046
B-231966	3014	48-053-01	3014	7007171	2019	7011108	2021
		48-053-03	3014	7007172	2018	7011131,132	2019
		48-053-05	3014	7007180,181	2018	7011135	2019
		48-053-06	3014	7007221,222	2059	7011143,149	2019
		48-053-07	3014	7007223	2026	7011155	2019
		48-053-08	3014	7007230	2059	7011161	2021

ROCHESTER KIT

7011162 2073
 7011224 2019
 7011350 2019
 7011351,352 2078
 7011460 2019
 7011487 2021
 7011500 2019
 7011570 2042
 7011600 2042
 7011656,657 2046
 7011701 2024
 7011702,703 2110
 7011706 2019
 7011707 2078
 7011709 2019
 7011712,713,
 714 2019
 7011870,871 2046
 7011951,952 2078
 7011953 2078
 7012000,001
 010,011 2024
 7012035 2019
 7012047 2019
 7012126 2021
 7012127 2046
 7012128 2021
 7012129 2046
 7012133 2019
 7012145 2021
 7012147 2019
 7012201 2078
 7012202 2019
 7012203 2078
 7012205 2019
 7012233 2019
 7012303 2021
 7012400,401 2024
 7012450 2019
 7012451,452,
 453 2019
 7012455 2019
 7012457 2019
 7012500 2019
 7012502 2046
 7012503 2019
 7012702,703 2110
 7012811 2024
 7012853 2078
 7012901 2078
 7012902 2019
 7012903 2078
 7012905 2019
 7012910 2024
 7012913 2019
 7013000 2046
 7013003 2046
 7013004 2021
 7013005 2046
 7013006 2021
 7013007,
 008,009 2019
 7013010 2021
 7013011 2019

7013012 2021
 7013013 2019
 7013015 2078
 7013016 2019
 7013017 2078
 7013018 2019
 7013020 2019
 7013021 2021
 7013023 2021
 7013025 2021
 7013026 2019
 7013029 2018
 7013030,031 2024
 7013033 2079
 7013034 2019
 7013035 2079
 7013037 2019
 7013044 2042
 7013050 2024
 7013052,058 2110
 7013060,061,
 063 2110
 7013064 2019
 7013065 2110
 7013067 2019
 7013069,075 2131
 7013071 3008
 7013080,081 2046
 7013082 2019
 7013100 2042
 7013150 2024
 7013353 2019
 7013596 2046
 7013652 2019
 7013950 2024
 7013952 2024
 7013953 2018
 7013955 2046
 7013973 2078
 7013974 2019
 7013975 2078
 7015004 2021
 7015006 2021
 7015010 2021
 7015011 2018
 7015012 2021
 7015013 2018
 7015015 2019
 7015017 2019
 7015019 2019
 7015021 2018
 7015025 2021
 7015040 2042
 7015052,058 2110
 7015062 2131
 7015066 2019
 7015068 2019
 7015070 2110
 7015072 2110
 7015073 2131
 7015076 2019
 7015087,088,
 089 2110
 7015090,091 3008
 7015092 3005
 7015097,098 2110

7015310,311 2044
 7015319 2044
 7015704 2073
 7015772 2073
 7015864 2078
 7019000 2046
 7019004 2021
 7019006 2021
 7019007,008 2019
 7019010 2021
 7019014 2021
 7019018 2019
 7019030,031 2024
 7019040 2042
 7019042 2131
 7019050 2024
 7019052,058 2110
 7019054 2024
 7019055 2089
 7019056 2089
 7019060 2131
 7019061 2046
 7019062 2046
 7019064 2019
 7019066 2089
 7019067 2019
 7019069 2019
 7019070,071,
 072,073 2110
 7019074,075,
 076, 2131
 7019079 2089
 7019082 2019
 7019084 3008
 7019100,101 2044
 7019107 2044
 7019110,111 2044
 7019117 2044
 7020000 2046
 7020003 2046
 7020005 2046
 7020006 2021
 7020007,008 2019
 7020012 2021
 7020018 2019
 7020022 2021
 7020023,024 2042
 7020025 2021
 7020029 2021
 7020040,041 2042
 7020043,045 2089
 7020046,047,
 048,049 2110
 7020052,058 2110
 7020060 2131
 7020061 2046
 7020064 2019
 7020066 2089
 7020067 2019
 7020069 2019
 7020070,071,
 072,073 2110
 7020074,075,
 076,077 2131
 7020078 2089
 7020079 2089

7020080,081 2046
 7020082 2110
 7020084,085 3008
 7020087 3005
 7020100,101 2044
 7020103,104,
 105,106 2046
 7020107,108 2046
 7020109 2019
 7020114,115 2046
 7020950 2024
 7020952 2089
 7020953 2089
 7020954,956 2110
 7020955 2024
 7020984 2089
 7020985 2089
 7020991 3005
 7020994 2046
 7020995 3005
 7020996 2046
 7022752 2089
 7023000 2046
 7023003,004,
 005 2046
 7023006 2021
 7023007,008,
 009,010 2019
 7023011 2046
 7023012 2021
 7023013 2046
 7023017 2046
 7023018 2019
 7023021 2046
 7023022 2019
 7023027 2019
 7023030,031 2024
 7023040 2042
 7023041,042,
 043 2110
 7023044,045 2089
 7023050,051 2024
 7023052,053 2110
 7023054,055 2089
 7023056,055 2089
 7023060,061, 2110
 7023063,064,
 066 2131
 7023067,068 2046
 7023069,070 2089
 7023071 2110
 7023073 2019
 7023075 2019
 7023077 2019
 7023078,079 2110
 7023080 2110
 7023084,085,
 088,089 3005
 7023100,101,
 102 2044
 7023105 2046
 7023108 2046
 7023143 2042
 7023145,146 2110
 7023161,162 2019
 7023180 3007

ROCHESTER KIT

7023181 3005
 7023182 2044
 7023183 3005
 7023184,185 3007
 7023186 2110
 7023187 3007
 7023188 2110
 7023189 2110
 7024000,001 2046
 7024009 2046
 7024023,024,025 2044
 7024030,031 2024
 7024040 2042
 7024044,045 2089
 7024050,051 2024
 7024052,053 2110
 7024054,055 2089
 7024056,057 058,059, 2131
 7024062 2110
 7024074,075 2019
 7024078,079 2110
 7024080,081 2110
 7024083 2046
 7024084 3005
 7024086 3005
 7024087 2046
 7024088 2044
 7024089 2046
 7024100,101,102 2019
 7024106 2019
 7024108 2019
 7024110 2019
 7024112 2019
 7024120,121,122 2021
 7024123,124 2042
 7024125,126 2021
 7024127,128 2042
 7024148,149 2046
 7024153,154 2024
 7024155,156 2131
 7024164 2046
 7024166 2046
 7024173 2019
 7024175 2019
 7024178,179 2110
 7024180,181 2046
 7024182 3005
 7024183 2019
 7024184 2046
 7024186 2019
 7024188 2110
 7024220 2021
 7024225,226 2021
 7025000,003,004,005 2046
 7025023,024,025 2044
 7025030,031 2024
 7025040,042 2042
 7025050,051 2024

7025052,053 2110
 7025054,055 2089
 7025056,057,058 2118
 7025060,061,062,066 2110
 7025070 2019
 7025071 2110
 7025074,075 2019
 7025078,079 2110
 7025087 2046
 7025088 2019
 7025089 2019
 7025103 2019
 7025105 2046
 7025108 2046
 7025121,122 2021
 7025123,124 2042
 7025125 2021
 7025126,127,128 2021
 7025140 2042
 7025148,149 2046
 7025150,151 2024
 7025152 2110
 7025156 2118
 7025157,158 2089
 7025159 2118
 7025167,168 2046
 7025173 2019
 7025175,177 2019
 7025178,179 2110
 7025180 3005
 7025182 2046
 7025183,184 2046
 7025185,186 2021
 7025226,227 2044
 7025252,253,254 2110
 7025255 2024
 7025564 3005
 7025638 2046
 7025662 2046
 7025756 3005
 7026011 2046
 7026017 2046
 7026019 2046
 7026023,024 2044
 7026026 2044
 7026027,028 2046
 7026029 2046
 7026030,031 2024
 7026040 2042
 7026046,047 2019
 7026052,053,054,055,056,057 2110
 7026058,059 2118
 7026060,061,062,066,071,074,075 2110
 7026083 2046
 7026085 2046
 7026113 2110
 7026121 2021

7026144,145,146,147 2019
 7026167,168,169 2046
 7026358 3007
 7027009 2046
 7027011 2046
 7027026 2044
 7027029 2046
 7027033 2110
 7027035 2118
 7027040,041,042 2019
 7027044,045,046 2019
 7027049 2019
 7027060,061,062,066,071 2110
 7027087 2063
 7027100,101,103 2019
 7027105,106,110 2019
 7027112,114,116 2019
 7027125 2021
 7027133 2118
 7027136,139 2110
 7027167,168 2046
 7027210,211,212,213,216,218 2063
 7028005 2044
 7028017 2046
 7028060,062,066 2110
 7028071 2110
 7028100,101,103,105 2019
 7028106 2019
 7028107,110,111,112 2019
 7028123 2063
 7028125 2019
 7028127 2019
 7028140,141 2019
 7028149 2046
 7028154,156,157 2118
 7028155,158,159 2110
 7028168 2046
 7028184,185 2019
 7028207,208 2063
 7028209 2062
 7028210,211 2062
 7028212,213 2063
 7028216,217,218 2062
 7028219 2063
 7028229 2063
 7028244,245 2062
 7028288 2063
 7029060,062 2110
 7029101,103,105,107 2019

7029108 2019
 7029110,112 2019
 7029125 2019
 7029140,141 2019
 7029200,201 2068
 7029202,203 2069
 7029204 2068
 7029207 2069
 7029214,215 2068
 7029223,224 2069
 7029244,245 2062
 7036009 2046
 7036014,015 2044
 7036023,024 2044
 7036046,048 2019
 7036052,053,055,057 2110
 7036058 2118
 7036060,061,062,071 2110
 7036099 2019
 7036100,101 2019
 7036103 2019
 7036105 2019
 7036110 2019
 7036112 2019
 7036118,119,120,121 2021
 7036125 2021
 7036144,146 2019
 7036159 2118
 7036167,168 2046
 7036175 2110
 7036248 2019
 7037009 2046
 7037034 2019
 7037050,051,052,053 2118
 7037054,055,056,057,058,061,062,066,071 2110
 7037080 2019
 7037083 2063
 7037100,101,103,105 2019
 7037110,112 2019
 7037125 2021
 7037162 2110
 7037167,168 2046
 7037210,211,212,213,216,218 2063
 7037229 2063
 7040200,201 2068
 7040202,203 2069
 7040204,205,206 2068
 7040207,208 2069
 7040213 2069
 7040221 2068
 7040244,245 2062
 7040500,501 2068
 7040502,503 2069
 7040504,505 2068
 7040507 2069

ROCHESTER KIT

7040509	2068
7040511	2069
7040513	2069
7040521	2068
7041200,201	2068
7041202,203	2069
7041204,205	2068
7041206	2068
7041208,209	2068
7041211	2068
7041212,213	2069
7041245	2062
7041544	2062
7042182,183, 184	2019
7042202,203	2067
7042208	2067
7042210,211	2067
7042215,216, 217	2068
7042218,219	2068
7042220	2068
7042244,245	2062
7042902,903	2067
7042910,911	2067
7042944	2062
7043244,245, 246	2062
7044244,246	2062
7044544,546	2062
17054900,901, 902	2062
17054916,917, 918	2068

STROMBERG KIT

A-16013	2119
A-16093	2119
A-16552	2041
A-16593	2119
A-16802	2119
A-16803	2119
A-17002	2041
A-17012	2119
A-17022	2041
A-17052	2119
A-17072	2116
A-17153	2119
A-17183	2119
A-17192	2119
A-17202	2119
A-17242	2041
A-17282	2041
A-17312	2041
A-17342	2119
A-17363	2119
A-17372	2041
A-17413	2119
A-17533	2119
A-17583	2119
A-17593	2119
A-17601	2039
A-17602	2119

A-17611	2039
A-17622	2041
A-17623	2119
A-17661	2039
A-17671	2039
A-17683	2119
A-17690	1025
A-17691	1005
A-17692	2041
A-17701	2039
A-17702	2119
A-17712	2041
A-17713	2119
A-17723	2119
A-17732	2041
A-17733	2119
A-17741	1005
A-17743	2119
A-17751	2039
A-17752	2119
A-17753	2116
A-17762	2041
A-17763	2119
A-17771	2039
A-17782	2041
A-17792	2119
A-17800	1025
A-17801	2039
A-17822	2119
A-17832	2041
A-17863	2119
A-17872	2119
A-17882	2041
A-17892	2041
A-17900	1025
A-17902	2119
A-17910	1025
A-17921	2039
A-17922	2119
A-17931	2039
A-17982	2119
A-17992	2041
A-18002	2041
A-18012	2119
A-18021	2039
A-18022	2119
A-18041	1005
A-18042	2041
A-18051	2039
A-18052	2119
A-18061	2039
A-18062	2041
A-18063	2116
A-18073	2037
A-18083	2037
A-18091	2039
A-18092	2119
A-18093	2037
A-18101	2039
A-18102	2119
A-18112	2119
A-18113	2037
A-18123	2035
A-18132	2119
A-18133	2035
A-18141	2039

A-18142	2119
A-18143	2119
A-18151	2039
A-18161	2039
A-18171	2039
A-18181	2039
A-18282	2041
A-18191	2039
A-18202	2041
A-18212	2119
A-18222	2119
A-18231	1005
A-18232	2041
A-18242	2041
A-18252	2119
A-18262	2041
A-18263	2119
A-18271	1005
A-18281	1005
A-18282	2041
A-18291	1005
A-18301	1005
A-18331	2039
A-18341	2039
A-18352	2008
A-18361	2007
A-18362	2008
A-18371	2007
A-18372	2119
A-18391	2041
A-18392	2041
A-18401	2039
A-18402	2119
A-18411	1005
A-18431	2008
A-18432	2119
A-18441	2008
A-18451	2007
A-18452	2008
A-18471	2039
A-18492	2008
A-18611	2007
A-18672	2008
A-18681	2007
A-18682	2008
A-18691	2007
A-18692	2008
A-18712	2119
A-18722	2119
A-18782	2008
A-18792	2008
A-18812	2007
A-18932	2007
A-18962	2007
A-18971	2007
A-18972	2008
A-18982	2008
A-19002	2041
A-19032	2037
A-19042	2037
A-19052	2007
A-19122	2037
A-19123	2037
A-19132	2037
A-19152	2008
A-19162	2037

A-19172	2007
A-19181	2007
A-19182	2008
A-19192	2008
A-19202	2037
A-19212	2007
A-19272	2037
A-19282	2037
F-2110	2119
F-2401	2119
F-2487	2119
F-2962	2119
F-2980	2119
F-2981	2119
F-3169	2119
F-3238	2119
F-3321	2119
F-3834	2119
F-4352	2119
F-6148	2037
F-8775	2041
J-5444	2037
J-544	2037
J-5480	2037
J-5481	2037
J-5484	2037
J-5486	2037
J-5487	2037
J-5488	2037
J-5489	2037
J-5574	2037
J-5576	2037
J-5593	2037
J-5594	2037
2-16	1025
2-21,A	1005
2-22A	2037
2-24	1005
2-25B	1005
2-26	2037
2-28	2037
2-204	3012
3-1	2119
3-2A-C	2119
3-16	2119
3-26A-C	2119
3-28A-C	2119
3-31,A	2119
3-33,A	2119
3-34,A	2119
3-36,A	2119
3-37	2119
3-39A	2037
3-40A	2037
3-41A	2037
3-43A	2037
3-45C	2037
3-46C	2037
3-54A	2035
3-55	2035
3-58	2037
3-59B	2035
3-60B	2035
3-65	2035
3-66	2035
3-68F	2035

STROMBERG KIT

3-76	2037
3-77	2037
3-82,A,B, C,D	2003
3-83,A,C	2003
3-84,A,B, C,D	2003
3-87C	2037
3-91B	2035
3-92	2035
3-93,A,B, C,D	2003
3-95,G	2003
3-97,A,B,C	2003
3-98	2037
3-99A	2035
3-100B	2035
3-103,A	2003
3-105,A	2102
3-106	2102
3-107	2035
3-108,A	2102
3-109,A	2102
3-111	2003
3-112	2003
3-113	2003
3-117	2103
3-119	2103
3-120 A,B, C,D	2075
3-121 A,B, C,D	2075
3-122 A,B, C,D,E	2075
3-123	3720
3-124	2075
3-125	2075
3-126	2075
3-128	2075
3-131 A,B, C,D	2075
3-132 A,B, C,D	2075
3-133 A,B, C,D,E	2075
3-134 A,B	2075
3-135,A,B	2099
3-136,A,B	2099
3-137,A,B	2099
3-138,A,B, C,D	2099
3-139,A,B, C,D	2099
3-140,A,B, C,D	2099
3-141A	2075
3-142	2075
3-143	2075
3-144	2075
3-145	2075
3-146,A	2099
3-147	2099
3-148,A	2099
3-149.A.B	2099

3-150,A,B, C	2099
3-151,A	2099
3-152	2099
3-153,A	2099
3-154,A	2099
3-155	2099
3-159	2099
3-160	2099
3-163	2099
3-164	2099
3-165	2099
3-169	2099
3-170	2099
3-171	2099
3-173	2099
3-176	2099
3-177	2099
3-178,A	2099
3-179	2099
3-181	2099
3-182	2099
3-183,A,B	2099
3-184	2099
3-185,A	2099
3-190	2099
3-191	2099
3-192	2099
3-193	2099
3-194	2099
3-195	2099
3-197	2099
3-198	2101
3-199	2101
3-200	2101
3-202	2099
3-203,A	2099
3-204,A	2099
3-205	2099
3-207	2099
3-213	2101
3-214	2101
3-215	2101
3-216	2101
3-218	2101
3-222	2101
3-223	2101
3-225	2101
3-226	2101
3-227	2101
3-239	2101
3-240	2101
3-243	2101
3-248	2101
3-249	2101
3-250	2101
3-251	2101
3-256	2101
3-257	2101
3-258	2101
3-259	2101
3-260	2101
3-261	2101
3-264	2101
3-265	2101
3-272,A	2101

3-273,A	2101
3-274	2101
3-275	2101
3-278	2101
3-279	2101
3-280	2101
3-281	2101
3-283	2101
3-284	2101
3-285	2101
3-286	2101
3-287	2101
3-290	2101
3-291	2101
3-292	2101
3-298	2101
3-308	2101
3-311	2101
4-1	2041
4-4	2119
4-5	2119
4-6	2041
4-7	2041
4-9	2119
4-11	2119
4-21	2119
4-43	2119
4-49B	2041
4-50	2041
4-51A	2041
4-53	2119
4-71D	2008
4-72B	2008
4-76D	2008
4-77D	2008
4-92	2037
4-103A,-109	2008
4-111	2008
4-112	2008
4-117	2037
4-119	2037
4-121	3011
4-122A	3011
4-123	2037
4-124	2003
4-126	2100
4-127	2100
4-128	2099
4-129	3011
5-1	2039
5-5A	2039
5-6A	2119
5-7A	2119
5-13	2041
5-39	2037
5-42	2037
5-53	2037
5-54	2007
5-55	2100
6-4	2041
6-8	2119
6-9	2119
6-10	2039
6-12	2041
6-15	2119
6-49,A	2119

6-50	2039
6-52	2039
6-62,A	2119
6-63	2039
6-70A	2007
6-85	2007
6-90	2037
6-91A	2037
6-97C	2007
6-98A	2037
6-100	2037
6-101	2037
6-104D	2037
6-107A	2007
6-108	2037
6-109	2037
6-110,A,B, C,D	3011
6-111A	2007
6-112	2023
6-113	2023
6-114A	2023
6-115A	2023
6-116	2023
6-117B,C	2023
6-118A	2023
6-119	2023
6-120	2023
6-121,A,B, C,	2100
6-122,A	2100
6-123,A	2023
6-125	2023
6-126,A,B	2023
6-127	2023
6-128	2023
6-129	2023
6-130	2102
6-131	2102
6-132	2102
6-133	2102
7-1	2039
7-5A	2039
7-7A	2039
7-9	2039
7-12	2007
7-13	2008
7-14	2007
7-15	2008
7-17	2007
7-18	2008
7-19	2007
7-20	2008
7-22A	2008
7-23A	2008
7-24	2007
7-32	2007
7-33	2008
7-34	2008
7-36	2008
7-37	2007
7-39A	2007
7-41	2009
7-42A	2007
7-43	2009
7-44	2007

STROMBERG KIT

7-45A	2009	10-4A	2039	17-2	2119	23-208	2099
7-46	2007	10-5	2041	17-3	2119	23-209	2099
7-47	2009	10-6	2041	17-7	2119	23-221	2100
7-55A	2009	10-24C	2039	17-9,A	2119	23-224	2101
7-56A	2009	10-28	2041	18-3	2119	23-225	2101
7-57	2008	10-29,A,B,		18-4	2119	23-226	2101
7-59A	2007	C,E	2039	19-1A,-2,-3,		23-227	2101
7-60A	2007	10-30B	2039	-5,-11,-18A	2119	23-230	2101
7-66	2007	10-33A	2039	19-3	2041	23-231	2101
7-69B	2007	10-34A	2041	22-14	2037	23-235	2101
7-70B	2008	10-36	2039	22-15	2037	23-236	2101
7-73A	2007	10-39E	2037	22-16	2037	23-241	2101
7-74A	2007	10-40B,D,E	2007	22-17	2037	23-244	2102
7-75	2007	10-42	2037	22-19	2007	23-248	2102
7-76	2007	10-44A,B,C	2008	22-20	2037	23-257	2102
7-77A	2008	10-45A	2037	23-26	2119	23-264	2102
7-78A	2008	10-46A	2037	23-106B	2023	24-145B	2037
7-79	2007	10-47A	2039	23-107A	2023	24-166	2037
7-80A	2008	11-1	2041	23-108A	2023	28-5,-6,-8,	
7-81	2007	11-2	2039	23-109	2023	-11,-14	2119
7-82	2007	12-1	2041	23-110	2023	28-7	2041
7-88C,B	2007	12-2	2119	23-111	2023	29-3,-4,-5	
7-89C,B	2008	12-4	2119	23-112	2023	-21	2119
7-90B	2007	12-9	2119	23-113	2023	29-24	2007
7-91A	2008	12-10	2119	23-116	2023	29-28A	2007
7-92A,B	2017	12-11	2119	23-120,A,B	2023	29-32B	2007
7-94A,B,C	2017	13-15	2037	23-121,A,B	2023	29-34A,D	2008
7-95,B	2008	13-16A	2037	23-122,A,B	2023	29-45	2037
7-96	2008	13-18	2037	23-123,A,B	2023	29-46	2037
7-98	2017	13-20A	2007	23-124,A,B	2023	29-50A	2007
7-102,A	2008	13-22	2037	23-126	2023	29-55A	2008
7-103	2103	13-23	2007	23-130	2023	29-57A	2008
7-104	2103	13-24	2101	23-133,A	2023	29-60	2008
7-105,A,B	2103	14-16F,G	2037	23-135,A	2023	29-64	3011
7-106,A,BC	2117	14-17D	2037	23-137,A	2023	29-65A,B	3011
7-109,A,B	2117	14-22	2037	23-138,A	2023	29-67A	3011
7-112,A	2117	14-23	2037	23-139	2023	29-68A,-D	3011
7-113,A	2117	14-24	2037	23-140	2023	29-70,A	3011
7-114,A	2102	14-25	2037	23-142	2023	30-3,-22	2119
8-3	2041	14-26	2100	23-143	2023	32-28	2037
8-4	2039	14-27	2037	23-151,A	2023	32-29	2037
8-5	2041	14-28	2100	23-152,A	2023	32-38	2037
8-6	2119	14-29	2037	23-153,A	2103	32-40	2037
8-9	2119	15-11	2037	23-158,A	2103	40-1	2041
8-10	2119	15-14	2037	23-159	2100	40-2	2041
8-15	2119	15-16	2037	23-160	2099	40-3	2041
8-26,A	2119	15-17	2037	23-161	2099	40-4	2041
8-27	2039	15-20A	2037	23-163	2100	40-11	1005
8-28	2039	15-21	2100	23-164	2100	40-13	2041
8-29	2039	15-23	2099	23-165	2100	40-16	1005
8-30,C	2039	15-24	2099	23-166	2100	40-17	2007
8-32	2037	15-25	2099	23-168	2100	44-72	2103
8-42	2037	15-26	2099	23-175	2100	57-1	2119
8-45	2037	15-27	2099	23-176	2099	66-4	2119
8-48	2037	15-28	2099	23-177	2023	66-33,A	3011
8-49	2037	15-38	2099	23-178	2100	66-34,A	3011
9-2	2119	15-39	2099	23-181	2099	96-16	2037
9-3	2119	15-40,A	2099	23-182	2100	96-18A	2037
9-4	2039	15-41,A	2101	23-183	2099	96-20	2037
9-5	2119	15-42	2101	23-190	2100	96-21	2037
9-11	2119	15-43	2101	23-195,A	2099	96-22	2037
9-18A	2119	15-44	2101	23-196,A	2099	99-8	2041
10-1A	2041	15-45	2101	23-200,A	2100	99-25,A	2037
10-2A	2041	16-15	2100	23-203	2099	99-28	3011
		16-16	2100	23-204	2100	102-2A	2039
		17-1	2039	23-206	2099	102-4A	2008

STROMBERG KIT

205-1	2008	380154	2008	380309	2007	380532	2037
205-2	2008	380158	2037	380310	2008	380533	2037
205-3	2007	380159	2037	380311	2007	380591	2037
205-5A	2007	380165	2008	380312	2007	380683	2037
205-7	2041	380169	2008	380313	2007	380744	2037
205-8	2008	380178	2037	380315	2017	380747	2037
205-9	2008	380181	2007	380319	2102	380748	2037
205-10A	2008	380183	2037	380320	2102	380749	2037
205-14A,B	2008	380184	2037	380322	2035	380849	2037
256-1	2007	380185	2037	380326	2102	380851	2003
265-3A	2007	380198	2007	380327	2102	380852	2003
266-2	2037	380209	1005	380331	2003	380858	2037
380006	2037	380211	2007	380332	2003	380861	2007
380009	2037	380218	2003	380333	2003	380867	2008
380012	2007	380219	2003	380337	2017	380869	2035
380015	2008	380220	2035	380338	2008	380871	2008
380018	2008	380221	2037	380342	2103	380904	2099
380029	2007	380225	2007	380345	2008	380905	2099
380032	2007	380226	2008	380346	2017	380906	2099
380034	2009	380234	2037	380349	2037	380908	2099
380035	2008	380235	2037	380357	2037	380910	2099
380036	2037	380235	2037	380359	2003	380922	2099
380037	2008	380236	2007	380360	2103	380924	2037
380038	2007	380237	2007	380372	2008	380934	2099
380039	2037	380238	2007	380391	2099	380935	2099
380041	2008	380239	2007	380392	2099	380936	2099
380042	2007	380240	2008	380393	2099	380937	2099
380043	2009	380241	2008	380394	2099	380948	2099
380044	2035	380242	2007	380395	2099	380949	2099
380045	2035	380243	2008	380396	2099	380950	2099
380046	2007	380244	2007	380405	2103	380951	2099
380048	2008	380245	2037	380410	2103	380952	2099
380049	2037	380246	2037	380412	2103	380953	2099
380050	2038	380248	2035	380414	2100	380963	2099
380053	2008	380249	2003	380417	2101	380970	2101
380057	2037	380249	2003	380418	2100	380971	2101
380064	2007	380251	2003	380419	2037	380972	2023
380063	2008	380253	2003	380420	2100	380973	2023
380065	2009	380257	2007	380421	2100	380974	2023
380066	2007	380258	2008	380424	2099	380977	2023
380067	2009	380259	2037	380428	2099	380979	2023
380076	1005	380261	2035	380431	2099	380980	2023
380077	2037	380262	2035	380432	2100	380982	2099
380078	2037	380268	2003	380436	2099	380983	2099
380079	2035	380269	2037	380437	2099	380984	2099
380080	2035	380270	2037	380438	2100	380985	2099
380082	2035	380271	2037	380439	2099	380988	2101
380095	2009	380272	1005	380440	2099	380989	2101
380096	2009	380277	2037	380441	2099	380997	2102
380097	2008	380278	2007	380442	2099	380999	2099
380103	2007	380278	2007	380443	2099	381000	2101
380104	2007	380280	2037	380444	2099	381001	2099
380106	2007	380282	2037	380445	2099	381008	2099
380137	2037	380283	2037	380446	2099	381011	2023
380139	1005	380284	2037	380447	2099	381012	2101
380141	1025	380285	2037	380451	2099	381013	2101
380142	2037	380286	2037	380452	2099	381014	2101
380143	2039	380287	2037	380462	2100	381017	2099
380148	2037	380288	2037	380464	2099	381018	2099
380149	2037	380289	2037	380465	2099	381019	2099
380150	2008	380291	2037	380466	2099	381020	2099
380151	2037	380292	2037	380467	2099	381022	2099
380152	2037	380295	2037	380468	2099	381031	2023
380153	2037	380297	2037	380475	2100	381033	2023
		380299	2007	380476	2099	381038	2023
		380301	3011	380496	2099	381039	2023
		380306	2037	380513	2037		

STROMBERG KIT

381040 2023
 381043 2023
 381044 2023
 381049 2101
 381050 2101
 381051 2101
 381052 2101
 381054 2101
 381058 2101
 381059 2101
 381061 2101
 381062 2101
 381063 2101
 381067 2102
 381068 2102
 381076 2023
 381077 2023
 381090 2101
 381091 2101
 381094 2103
 381095 2101
 381099 2102
 381100 2102
 381103 2103
 381111 2101
 381112 2101
 381113 2101
 381114 2101
 381123 2099
 381124 2099
 381126 2100
 381127 2100
 381131 2100
 381147 2100
 381153 2100
 381154 2099
 381155 2023
 381156 2101
 381157 2101
 381158 2101
 381159 2101
 381164 2099
 381165 2100
 381166 2099
 381170 2101
 381171 2101
 381176 2100
 381185 2099
 381186 2099
 381192 2101
 381193 2101
 381194 2101
 381195 2101
 381198 2101
 381199 2101
 381200 2101
 381201 2101
 381204 2100
 381207 2099
 381208 2100
 381213 2101
 381214 2101
 381215 2101
 381216 2101

381217 2099
 381219 2101
 381225 2101
 381227 2101
 381235 2101
 381238 2101
 381261 2100
 381266 2101
 381267 2101
 381268 2101
 381269 2101
 381272 2101
 381273 2101
 381281 2101
 381282 2101
 381283 2101
 381284 2101
 381287 2101
 381288 2101
 381296 2101
 381304 2102
 381312 2102

WHITE KIT

441117 2106
 456432A 2105
 467874 2106
 467961 2106
 474892 2106
 474893 2106
 476315 2106
 476316 2106
 481219,-A 2107
 481648 2106
 490048,-A,-B 2107
 490300 2106
 491282 2106
 622901A 2105
 622936A 2105
 627582,-A 2107
 631453 2105
 639000 2105
 639001 2105
 639002 2105
 639003 2105
 639004 2105
 639005 2105
 639006 2105
 639007 2105
 639008 2105
 642716 2105
 642717 2105
 642718 2105
 642719 2105
 651356 2105
 651357 2105
 651415 2105

ZENITH KIT

S17 3016
 S31 3002
 S33 3003
 S42 2088
 S43 2126

S48 3002
 S49 3016
 S57 2126
 S64 2088
 S66 2088
 S78 2088
 S80 3016
 S99 2088
 S82 3002
 S83 3002
 S105 2126
 S107 3016
 S113 3016
 S119 2088
 S120 3002
 S131 2088
 S134 2088
 S135 2088
 S140 3016
 S148 2126
 S151 2088
 S152 3016
 S158 3002
 S159 3002
 S160 3002
 S161 3002
 S171 3016
 S175 2126
 S176 2088
 S179 2126
 S187 3002
 S190 3002
 S200 2126
 S203 3016
 S211 2088
 S214 3016
 S224 3016
 S237 2088
 S246 3016
 S252 2126
 S255 2126
 S260 3016
 S261 3016
 S262 3016
 S270 3016
 S280 3016
 S282 3002
 S290 3003
 S292 2126
 S295 2126
 S297 3016
 S299 3003
 S302 3003
 S304 3016
 S306 3002
 S316 3003
 S317 3002
 S318 3003
 S320 2088
 S323 3003
 S325 2088
 S327 2088
 S332 3016
 S342 3016
 S345 3002
 S347 3016

S349 3002
 S350 2126
 S352 2126
 S362 3016
 S379 3016
 S387 2088
 S388 3016
 S394 3002
 S404 2088
 S405 2088
 S406 2088
 S408 3016
 S409 2088
 S413 3003
 S420 3003
 S421 3002
 S422 3002
 S425 3016
 S430 2088
 S433 2088
 S434 2088
 S441 3002
 S442 3002
 S449 3016
 S453 3016
 S454 3016
 S462 3002
 S468 3003
 S470 3016
 S471 3002
 S472 2088
 S473 3002
 S474 3002
 S477 3016
 S478 3003
 S479 3002
 S480 3002
 S481 2126
 S482 3003
 S483 3003
 S485 3002
 S486 3002
 S488 3016
 S493 2088
 S496 3002
 S503 3002
 S509 3002
 S513 3002
 S524 3002
 S525 3002
 S527 3002
 S528 3003
 S532 3002
 S533 2126
 S538 3016
 S545 2126
 S546 3002
 S555 3003
 S559 3002
 S560 3002
 S567 3016
 S572 3003
 S581 2088
 S584 2088
 S586 2088
 S592 3016

ZENITH

KIT

S596	2126
S597	2088
S599	2088
S605	2088
S606	2088
S616	2088
S621	3003
S623	2088
S624	2088
S627	3016
S648	3002
S649	3003
S651	3002
S652	3003
S659	2088
S662	2088
S664	3002
S665	3002
S676	3016
S678	2088
S682	3002
S683	3002
S688	3003
S689	3003
S690	3002
S699	3002
S705	3002
S706	3002
S710	2088
S711	2088
S712	2088
S714	3002
S715	3016
S722	3003
S728	3002
S731	3003
S734	3016
S741	3016
S750	3003
S751	3003
S753	3002
S754	3003
S755	3002
S757	3016
S758	3002
S760	3002
S761	3002
S763	3003
S776	2126
S777	2088
S783	3003
S784	3002
S788	3002
S792	3003
S793	3002
S796	2088
S798	3002
S799	3003
S801	2088
S803	3016
S804	3016
S808	3002
S814	3002

S815	3003
S819	3002
S832	3003
S835	3002
S842	2126
S843	3003
S846	3003
S848	3002
S849	3002
S854	3002
S863	3002
S872	3002
S874	3002
S878	3002
S880	2088
S881	3002
S888	3002
S891	3002
S893	3002
S894	3002
S897	3002
S901	3003
S904	3002
S905	3002
S909	3002
S914	3002
S917	3003
S918	3002
S919	3002
S920	3003
S924	3003
S927	2088
S928	3003
S929	3003
S931	3003
S932	2088
S934	3002
S935	3002
S936	2088
S937	3002
S938	3002
S939	3002
S940	3003
S941	3003
S942	2088
S945	3003
S946	3002
S949	3002
S950	3002
S951	3002
S954	3002
S956	3002
S959	3002
S962	3003
S963	3003
S964	3003
S965	3003
S966	3003
S967	3003
S968	3002
S969	3003
S971	2088
S974	3002
S976	3003
S977	3002
S978	3003

S984	3002
S985	2088
S986	3002
S987	3002
S990	3002
S992	3002
S994	3002
S995	3003
S996	3002
S997	3002
S999	3003
S1001	3002
S1002	3003
S1008	3003
S1009	3003
S1010	3002
S1011	2088
S1012	3002
S1013	3003
S1015	3002
S1016	2088
S1017	3002
S1020	3002
S1022	3002
S1023	2088
S1024	2088
S1025	2088
S1032	3003
S1033	3003
S1034	3003
S1037	3002
S1040	3003
S1044	3002
S1045	3003
S1050	3002
S1053	3002
S1057	3003
S1058	2088
S1062	3002
S1065	3002
A1066	3002
S1067	3002
S1068	3003
S1070	3003
S1071	3003
S1072	3002
S1074	3003
S1077	3003
S1078	2088
S1093	2088
S1095	3002
S1098	3002
S1100	3003
S1101	3002
S1106	2126
S1107	3003
S1110	3002
S1111	3002
S1112	3002
S1117	3002
S1118	3002
S1127	2088
S1128	3003
S1131	3002
S1133	3002
S1134	3002

S1137	3002
S1140	3002
S1147	3003
S1148	3003
S1150	3003
S1152	3002
S1155	3002
S1156	3002
S1159	3003
S1163	3003
S1165	2088
S1166	3002
S1167	3003
S1170	2088
S1171	3002
S1172	3002
S1174	3002
S1178	3002
S1180	2088
S1182	3003
S1184	2088
S1183	2126
S1188	3002
S1192	3002
S1193	3002
S1198	2088
S1206	3003
S1207	3003
S1209	3002
S1213	2088
S1214	3002
S1215	3003
S1216	3003
S1217	2088
S1218	3003
S1219	3003
S1220	3003
S1224	3002
S1230	2088
S1233	3003
S1235	3016
S1238	3002
S1239	3002
S1240	3003
S1241	3002
S1243	2088
S1246	2088
S1247	3002
S1248	3002
S1254	3002
S1256	3002
S1258	3003
S1259	3003
S1261	3002
S1262	3003
S1263	3002
S1264	2088
S1265	3003
S1266	2088
S1269	2088
S1271	3002
S1272	3002
S1273	3002
S1276	3003
S1278	3002
S1283	3003

ZENITH

KIT

S1287 3002
 S1289 2088
 S1290 2088
 S1298 3002
 S1300 3003
 S1301 3002
 S1302 3003
 S1304 3002
 S1305 3003
 S1307 3002
 S1309 3002
 S1310 3002
 S1311 3002
 S1313 3002
 S1314 3003
 S1315 3002
 S1319 3002
 S1320 3002
 S1321 3002
 S1324 3003
 S1327 3003
 S1328 3002
 S1330 3002
 S1332 3003
 S1333 2088
 S1336 3002
 S1337 3003
 S1338 3003
 S1340 3002
 S1343 2088
 S1345 3002
 S1346 3002
 S1348 3003
 S1351 3003
 S1355 3002
 S1358 3002
 S1353 3003
 S1358 3002
 S1359 3003
 S1360 3002
 S1362 2088
 S1363 2088
 S1365 3002
 S1366 3003
 S1367 3002
 S1370 2088
 S1373 3003
 S1375 3002
 S1376 3002
 S1377 3002
 S1378 3002
 S1379 3002
 S1380 3002
 S1383 3002
 S1384 3002
 S1385 3002
 S1386 3002
 S1387 3002
 S1389 3002
 S1392 3003
 S1394 3003
 S1396 3002
 S1397 3002

S1399 3002
 S1400 3002
 S1402 2088
 S1403 3003
 S1405 3002
 S1406 3002
 S1407 3003
 S1409 3003
 S1410 3002
 S1411 3003
 S1412 3002
 S1414 3003
 S1416 3002
 S1418 3002
 S1420 3003
 S1422 3002
 S1423 3003
 S1427 3003
 S1433 3003
 S1434 3002
 S1436 3002
 S1437 3003
 S1438 3002
 S1446 3002
 S1447 3002
 S1448 3002
 S1449 3003
 S1450 3002
 S1451 3003
 S1457 3003
 S1461 3002
 S1463 3002
 S1464 3003
 S1467 3002
 S1470 3002
 S1472 2088
 S1475 3002
 S1477 3003
 S1478 3002
 S1482 3002
 S1483 3002
 S1484 2088
 S1485 3002
 S1489 3002
 S1490 3003
 S1491 3002
 S1492 3002
 S1493 3002
 S1494 3002
 S1495 3002
 S1497 3003
 S1499 3002
 S1501 3002
 S1502 3002
 S1507 3002
 S1509 3003
 S1512 3002
 S1523 3003
 S1524 3002
 S1525 3003
 S1527 3002
 S1528 3002
 S1529 2088
 S1536 3002
 S1543 3003
 S1547 3002

S1549 3003
 S1555 3002
 S1558 3002
 S1559 2088
 S1561 3003
 S1562 3003
 S1567 3003
 S1568 3003
 S1571 3002
 S1573 3003
 S1574 2088
 S1576 3003
 S1577 3002
 S1581 3003
 S1582 3002
 S1584 3003
 S1588 3002
 S1590 3003
 S1592 3002
 S1594 2088
 S1596 3003
 S1597 3003
 S1598 2088
 S1599 3003
 S1601 2088
 S1603 3002
 S1604 3002
 S1606 3003

 6328 2088
 6590 3016
 6600 3016
 6624 3016
 6626 3016
 6628 3016
 6632 3016
 6656 3016
 6657 3016
 6682 3016
 6686 3016
 6687 3016
 6710 3016
 6732 3016
 6737 3016
 6739 3016
 6769 3016
 6789 3016
 6790 3016
 6793 3016
 7013 3016
 7015 3016
 7026 3016
 7045 3016
 7046 3016
 7059 3016
 7069 3016
 7076 3016
 7078 3016
 7116 3016
 7118 3016
 7124 3016
 7157 3016
 7158 3016
 7159 3016
 7171 3016
 7172 3016

7173 3016
 7174 3016
 7176 3016
 7178 3016
 7191 3016
 7195 3016
 7216 3016
 7225 3016
 7226 3016
 7231 3016
 7241 3016
 7242 3016
 7243 3016
 7244 3016
 7256 3016
 7262 3016
 7270 3016
 7272 3016
 7273 3016
 7274 3016
 7275 3016
 7297 3016
 7299 3016
 7301 3016
 7302 3016
 7308 3016
 7310 3016
 7347 3016
 7355 3016
 7367 3016
 7368 3016
 7378 3016
 7394 3016
 7400 3016
 7404 3016
 7405 3016
 7429 3016
 7435 3016
 7436 3016
 7444 3016
 7449 3016
 7457 3016
 7486 2126
 7491 2126
 7492 2126
 7494 2126
 7503 3016
 7507 3016
 7516 3016
 7519 3016
 7521 2126
 7522 2126
 7529 3016
 7532 3016
 7536 3016
 7537 3016
 7539 2126
 7540 2126
 7549 3016
 7551 3016
 7554 3016
 7590 2126
 7592 2126
 7594 2126
 7596 2126
 7603 3016

ZENITH	KIT						
7604	3016	7914	3016	8135	3016	8420	2126
7605	2126	7918	2126	8140	2126	8427	2126
7607	3016	7928	2126	8142	3016	8428	2126
7608	3016	7932	3016	8147	2126	8429	2126
7611	3016	7936	3016	8148	2126	8432	2126
7612	2126	7939	2126	8149	2126	8433	2126
7613	3016	7944	2126	8150	2126	8435	2126
7615	3016	7950	2126	8151	2126	8439	2126
7618	3016	7954	2126	8152	2126	8440	2126
7619	3016	7956	2156	8153	2126	8441	2126
7621	3016	7958	2126	8154	2126	8443	2126
7634	3016	7959	2126	8156	2126	8445	2126
7640	3016	7960	2126	8176	2126	8446	2126
7653	3016	7961	2126	8177	2126	8448	2126
7659	2126	7962	2126	8187	3016	8451	2126
7669	2126	7963	2126	8189	2126	8452	2126
7671	3016	7964	2126	8190	2126	8455	2126
7672	3016	7965	2126	8191	2126	8456	2126
7673	3016	7971	3016	8193	3016	8460	2126
7674	3016	7982	3016	8194	3016	8461	2126
7688	3016	7987	2126	8211	3016	8462	2126
7693	3016	8003	3016	8216	2126	8464	2126
7705	3016	8011	2126	8232	3016	8471	2126
7708	2126	8012	2126	8239	3016	8487	3016
7716	2126	8017	2126	8240	3016	8488	3016
7718	2126	8021	3016	8242	2126	8489	3016
7719	2126	8028	2126	8245	3016	8490	3016
7720	2126	8029	2126	8246	3016	8503	3002
7721	2126	8030	2126	8247	3016	8505	2126
7722	2126	8031	2126	8248	2126	8506	2126
7723	2126	8032	2126	8260	3016	8508	2126
7724	2126	8035	3016	8265	3016	8509	3016
7725	2126	8041	2126	8274	2126	8510	2126
7726	2126	8042	2126	8277	3016	8511	2126
7727	2126	8050	3016	8279	2126	8518	2126
7728	2126	8051	3016	8285	2126	8519	2126
7729	2126	8053	2126	8298	3016	8523	2126
7730	2126	8054	2126	8299	2126	8525	3016
7731	2126	8057	2126	8311	3016	8526	3016
7732	2126	8059	3016	8318	2126	8527	2126
7733	2126	8063	2126	8319	2126	8529	3016
7734	2126	8067	3016	8320	2126	8530	2126
7736	2126	8068	3016	8321	2126	8531	3016
7739	3016	8075	2126	8323	3016	8533	2088
7742	2126	8076	2126	8325	2126	8534	2088
7745	2126	8077	2126	8326	3016	8535	2088
7748	3016	8078	2126	8327	2126	8539	2088
7754	2126	8079	2126	8332	2126	8542	2126
7794	3016	8082	2126	8336	3016	8543	3002
7795	2126	8084	2126	8337	2126	8546	3016
7796	2126	8086	2126	8340	3016	8554	2126
7797	2126	8093	2126	8342	2126	8563	2126
7841	3016	8095	3016	8346	2126	8566	3016
7842	2126	8096	2126	8351	2126	8570	2126
7852	3016	8097	3016	8360	2126	8572	3016
7864	3016	8098	2126	8361	3016	8585	2126
7866	3016	8101	2126	8362	3016	8587	2088
7869	3016	8105	2126	8372	3016	8588	2126
7877	3016	8106	2126	8379	2126	8590	2126
7878	2126	8109	3016	8380	3016	8591	2126
7888	3016	8118	3016	8399	3016	8594	2126
7889	3016	8119	3016	8401	2126	8598	2088
7895	3016	8120	3016	8402	2126	8599	2088
		8125	2126	8409	2126	8600	2088
		8126	2126	8414	2126	8601	2088
		8127	2126	8419	2126	8602	2088

ZENITH	KIT						
8603	2088	8857	2126	9032	2088	9188	2126
8604	2088	8860	3016	9033	2088	9189	2126
8605	2088	8864	3003	9034	2088	9190	2126
8606	2088	8871	3016	9035	2088	9191	2126
8608	2088	8873	2126	9036	2088	9192	2126
8610	2088	8874	3016	9038	2088	9193	2126
8611	2088	8875	3016	9039	2088	9194	2126
8615	2088	8878	3002	9040	2088	9223	2126
8616	3016	8880	3016	9041	2088	9224	2126
8625	3002	8885	3016	9042	2088	9225	2126
8630	2126	8888	3016	9043	2088	9226	2126
8631	2126	8896	2126	9044	2088	9227	2126
8640	2088	8897	2126	9045	2088	9228	2126
8656	3016	8902	3002	9046	2088	9233	2126
8659	3002	8903	3002	9048	2088	9234	2126
8672	3016	8907	2126	9049	2088	9236	3016
8683	2126	8908	2126	9050	2088	9238	3002
8686	2088	8910	2126	9051	2088	9241	2088
8695	2088	8911	2126	9052	2088	9243	2126
8696	2088	8915	2126	9054	2088	9245	3002
8697	2088	8931	2126	9055	2088	9249	3016
8698	2088	8932	2126	9056	2088	9254	3003
8699	2088	8939	3016	9057	2088	9255	3002
8700	2088	8942	2126	9058	2088	9257	3016
8701	3016	8945	3016	9059	2088	9258	3003
8703	2126	8951	2126	9060	2088	9259	2088
8704	2126	8952	2126	9061	2088	9274	2126
8706	2088	8954	2126	9062	2088	9275	2126
8708	2126	8963	3002	9064	2088	9277	3016
8711	2126	8964	3002	9065	2088	9282	2088
8712	2088	8967	2126	9068	2088	9285	2126
8727	3016	8968	2126	9069	2088	9286	3016
8728	3016	8969	2126	9070	2088	9287	2088
8730	2126	8970	2126	9072	2088	9293	2088
8731	2126	8971	2126	9073	2088	9294	2126
8735	2126	8972	2126	9074	2088	9296	3016
8736	2126	8973	2126	2076	2088	9310	2088
8737	2126	8981	3002	9077	2088	9311	2088
8738	2126	8983	3003	9082	2088	9312	2088
8747	2088	9001	2088	9086	2126	9319	3016
8748	2088	9002	2088	9087	3003	9402	3002
8749	2088	9004	2088	9089	3002	9403	2088
8750	2088	9005	2088	9090	3002	9409	3016
8751	2126	9006	2088	9091	3002	9410	2126
8752	2126	9007	2088	9092	3002	9420	2126
8768	2126	9008	2088	9093	3003	9421	2088
8769	2126	9009	2088	9099	2126	9424	2088
8773	2088	9010	2088	9106	3016	9426	2088
8774	2088	9011	2088	9111	2088	9427	3003
8775	2088	9012	2088	9112	3016	9428	2088
8776	2088	9014	2088	9122	2126	9429	2088
8777	2088	9015	2088	9129	3002	9431	2088
8786	2126	9016	2088	9131	3003	9433	3016
8789	3016	9018	2088	9133	3002	9434	3002
8790	3016	9019	2088	9138	3002	9436	2088
8802	2088	9020	2088	9140	2126	9438	2088
8809	2126	9021	2088	9149	2088	9439	2088
8811	2088	9022	2088	9155	3002	9440	2088
8812	2126	9023	2088	9156	3002	9441	2088
8821	2088	9024	2088	9157	3003	9443	3002
8824	2126	9025	2088	9159	3016	9445	2088
8854	3016	9026	2088	9168	3003	9449	3002
8856	2126	9028	2088	9169	3003	9450	2088
		2029	2088	9178	2088	9451	2126
		9030	2088	9184	3002	9453	2088
		9031	2088	9187	2126	9454	2088

ZENITH	KIT	9582	3002	9712	3002	9841	3002
9455	3016	9583	2088	9714	2088	9842	3003
9456	3016	9584	2088	9715	2088	9847	3002
9458	2088	9585	2088	9716	2088	9849	3002
9459	2088	9586	2088	9717	2088	9850	3002
9460	2088	9587	2088	9724	3002	9852	3003
9461	2088	9588	2088	9726	2088	9853	3003
9465	3002	9589	3002	9727	2088	9854	3003
9466	3002	9596	2126	9728	2088	9855	3002
9472	2088	9601	2126	9729	3016	9856	3003
9473	2088	9603	2126	9730	2088	9857	3003
9475	2088	9604	2088	9736	2088	9859	2088
9477	3016	9605	2126	9739	3002	9860	2088
9478	3003	9607	2126	9740	3002	9864	3002
9481	2088	9608	2088	9741	3002	9865	3003
9482	2088	9609	2126	9742	3002	9866	2088
9483	2088	9612	3016	9743	2088	9867	2088
9485	2088	9613	2088	9744	2116	9868	2088
9486	3003	9614	2088	9746	3003	9870	2088
9489	2088	9615	2088	9746	2126	9871	2088
9491	3002	9616	2126	9753	2126	9872	2088
9493	3003	9617	2126	9754	3003	9873	2088
9494	3003	9618	2126	9759	3016	9874	2088
9496	2088	9619	2126	9763	3003	9875	2088
9497	2088	9620	2126	9764	3002	9876	2088
9499	3002	9624	2088	9765	2088	9884	3003
9500	3002	9625	2088	9766	2088	9888	3002
9501	2088	9626	2126	9767	2088	9889	3003
9502	2126	9627	2088	9768	3003	9890	2088
9503	2088	9631	2126	9769	3003	9891	2088
9506	3003	9633	2088	9771	3003	9892	3002
9508	2088	9634	2088	9772	3003	9893	3002
9509	3002	9637	2088	9774	3003	9894	2088
9510	2088	9638	2088	9775	3002	9895	3003
9511	2088	9647	3002	9777	3002	9895	3002
9514	3003	9647	3002	9778	2088	9896	3002
9515	2088	9650	3003	9779	3002	9897	3002
9516	2088	9653	3016	9786	3003	9903	3002
9520	3003	9655	2126	9789	2088	9906	2088
9521	2088	9656	2126	9791	2088	9908	2088
9522	3003	9658	3002	9792	3002	9911	3002
9523	3003	9666	2088	9794	3003	9913	2126
9524	2126	9669	2126	9795	3003	9915	2088
9525	3003	9677	2088	9798	2088	9919	3003
9533	3002	9678	2126	9799	2126	9920	3002
9540	3002	9679	2088	9800	2088	9921	3002
9541	3003	9680	2088	9801	3002	9924	3002
9542	2126	9681	2088	9806	3002	9925	3002
9543	2088	9682	3002	9807	2088	9926	2126
9550	2088	9685	3003	9808	3002	9927	3002
9551	2126	9688	2088	9809	3002	9928	3002
9555	3002	9689	3003	9810	3003	9929	2088
9556	2088	9690	2126	9811	2088	9930	3003
9561	2088	9691	2126	9812	3002	9933	2088
9562	2088	9692	2126	9814	3002	9934	2126
9564	2088	9693	2126	9818	2088	9935	2126
9565	2088	9694	3003	9819	3003	9936	3002
9566	3003	9696	3003	9820	2088	9940	2088
9568	2088	9697	2088	9822	2088	9941	2126
9569	2126	9699	2088	9823	3002	9945	2088
9573	2088	9700	3002	9826	3002	9947	2088
9577	2088	9701	3002	9829	2088	9949	3002
9579	2088	9702	2088	9834	2088	9952	3002
9580	2088	9703	2088	9835	3003	9954	3002
		9704	2088	9836	3003	9955	3003
		9708	2088	9837	3002	9956	2088
		9709	2088	9838	3003	9957	3003

ZENITH	KIT						
		10187	3003	10340	3002	10478	3002
		10188	3003	10342	2088	10479	3003
9958	3003	10189	3003	10344	3002	10483	2088
9959	3016	10190	3003	10345	3002	10485	2088
9962	3002	10191	3003	10347	2088	10486	3002
9977	2088	10192	3003	10348	2088	10487	3002
9978	3002	10193	3003	10349	3002	10488	3003
9979	2116	10194	3003	10353	2088	10490	3002
9981	3003	10205	3002	10354	2088	10491	3002
9991	2088	10206	3002	10355	2088	10495	3003
9997	3002	10208	3003	10356	3003	10497	3003
10004	3002	10209	3002	10359	3002	10499	3002
10010	3003	10210	2088	10361	3002	10503	2088
10024	3002	10211	3002	10362	3003	10504	2088
10036	3003	10216	3002	10371	2088	10506	3003
10048	3003	10217	3002	10372	2088	10508	3002
10053	2126	10218	3002	10373	3002	10509	3003
10067	3002	10222	3002	10374	3002	10510	2088
10068	3002	10225	2088	10375	3002	10511	2088
10072	3002	10228	3003	10377	3003	10517	3002
10077	3003	10229	3003	10378	3002	10518	3003
10079	3002	10230	3002	10380	3002	10521	3003
10080	3003	10232	3002	10381	3003	10523	3002
10082	2088	10233	3003	10383	3003	10526	3002
10092	3003	10239	3002	10384	3002	10527	2088
10094	3003	10241	2088	10385	3002	10528	2088
10095	3003	10242	3002	10391	3003	10529	2088
10098	3003	10243	2088	10400	3002	10531	3002
10111	2088	10246	3002	10403	3003	10534	3003
10113	3002	10252	3002	10406	2088	10538	3003
10115	3003	10253	3003	10410	3003	10541	3003
10128	3002	10256	3002	10411	3002	10546	3002
10134	3002	10265	3003	10412	3002	10550	3002
10150	3002	10269	3003	10413	3003	10551	3002
10151	2088	10271	2088	10416	3002	10552	3003
10153	3002	10272	2088	10419	3002	10553	3003
10154	2088	10273	2088	10420	3002	10556	3002
10155	2088	10274	2088	10421	3003	10557	3003
10156	2088	10275	2088	10422	2088	10559	3002
10157	2088	10276	2088	10425	3003	10561	3003
10158	2088	10279	3002	10426	3002	10562	2088
10159	2088	10280	3002	10427	3003	10563	2088
10160	2088	10282	2088	10428	3002	10564	3003
10161	2088	10283	3002	10429	2088	10567	3003
10162	2088	10285	3002	10435	3003	10568	3002
10163	2088	10286	3002	10436	2088	10569	2088
10164	2088	10293	3002	10444	3002	10572	3002
10165	2088	10294	3002	10445	3002	10573	3002
10166	2088	10296	3003	10448	3002	10575	3003
10167	2088	10297	3002	10449	2088	10579	3003
10168	2088	10299	2088	10450	2088	10580	3002
10169	2088	10301	3003	10451	2088	10581	3002
10170	2088	10300	3002	10452	2088	10582	3002
10171	2088	10303	3002	10453	2088	10585	3002
10176	3002	10304	3002	10454	2088	10587	2088
10177	3002	10305	3002	10455	2088	10588	3003
10178	3002	10307	3002	10459	3003	10591	3003
10179	3002	10312	3002	10460	3003	10596	2088
10180	3002	10316	2088	10461	3002	10600	3003
10181	3003	10318	2088	10462	3002	10601	3003
10182	3003	10319	3002	10465	3002	10602	3002
10183	3002	10326	3003	10466	3003	10605	3002
10184	3002	10327	3003	10469	2088	10606	3003
10185	3002	10332	3003	10473	3003	10607	3003
10186	3002	10337	3002	10474	3003	10608	3002
		10338	3003	10476	3003	10609	3003

ZENITH	KIT						
10614	2088	10792	2088	10999	2088	11202	3003
10615	3003	10794	2088	11000	3003	11205	3002
10619	2088	10795	2088	11002	2088	11207	3003
10625	3002	10796	2088	11006	2088	11208	3003
10632	3002	10813	3002	11016	3002	11209	3003
10633	3002	10814	3002	11017	3002	11213	3002
10635	3003	10817	3002	11019	3003	11219	3002
10636	3003	10820	3002	11020	2088	11223	3003
10637	3003	10821	2088	11022	3002	11229	2088
10638	3003	10822	3002	11023	3002	11231	2088
10643	3003	10826	3003	11024	3003	11237	3002
10644	3002	10828	3003	11028	2088	11244	3002
10647	3002	10829	2088	11029	2088	11250	3003
10655	3002	10831	2088	11030	3002	11251	3002
10656	3002	10832	3002	11033	3003	11254	3003
10661	3002	10852	3002	11035	3002	11259	3002
10662	3002	10853	3003	11038	3002	11260	3003
10663	2088	10865	3003	11039	3002	11261	3003
10664	3002	10868	3002	11040	3002	11265	3002
10666	2088	10870	3003	11042	3003	11268	3003
10668	2088	10874	3002	11048	3002	11271	2088
10670	2088	10879	3002	11049	3002	11274	3002
10671	3002	10888	3002	11066	2088	11275	2088
10675	3003	10889	3003	11074	3002	11277	3002
10676	3002	10890	3002	11077	3002	11280	2088
10679	3003	10891	3002	11078	3002	11290	3002
10680	3003	10892	3002	11081	3002	11291	2088
10683	3003	10893	3003	11086	3003	11293	3003
10702	2088	10896	2088	11087	3002	11295	3002
10709	3002	10898	2088	11092	2088	11296	3002
10712	3002	10899	2088	11099	2088	11297	3002
10713	3002	10900	3003	11100	2088	11298	3003
10715	3003	10901	3003	11101	2088	11300	3002
10717	3002	10906	3002	11104	3003	11302	2088
10718	3002	10908	3003	11105	3003	11314	3003
10722	3002	10910	2088	11108	3003	11316	3003
10723	3002	10911	2088	11113	2088	11317	3002
10725	3003	10918	2088	11114	3003	11318	2088
10728	2088	10920	2088	11116	3002	11319	2088
10736	3002	10927	3002	11118	2088	11326	3002
10738	2088	10928	2088	11125	2088	11330	3002
10739	3002	10928	2088	11128	3002	11335	3002
10743	3003	10931	3002	11129	2088	11343	2116
10744	3002	10933	3002	11130	2088	11348	2088
10750	3002	10937	2088	11132	2116	11349	3003
10751	3003	10944	2088	11133	2116	11350	3003
10754	3003	10946	3002	11136	3002	11351	3003
10755	3002	10950	3003	11139	3002	11353	3003
10756	3002	10951	3002	11140	3002	11359	3003
10757	2088	10954	3003	11143	2088	11360	3003
10758	3002	10957	2088	11144	2088	11366	2088
10759	3002	10962	2088	11147	2088	11368	3003
10760	2088	10968	3002	11148	2088	11370	2088
10761	3003	10970	3003	11149	3003	11374	3003
10762	3003	10971	3003	11157	3003	11375	2088
10777	3003	10972	3002	11163	2088	11376	3002
10779	3002	10973	3002	11166	3002	11377	2088
10780	3003	10974	3002	11175	3002	11381	3003
10781	3002	10982	2088	11176	3002	11382	3002
10782	3002	10983	2088	11177	3003	11383	3002
10784	3002	10986	3003	11178	3003	11384	3003
10786	3002	10987	3003	11179	3003	11386	3003
10790	3002	10988	3003	11182	3002	11395	3002
		10989	3003	11191	3003	11396	3002
		10990	3002	11197	3002	11400	3003
		10991	2088	11198	3003	11402	2088
		10992	3003	11199	2088		
		10995	3002				

ZENITH	KIT	11568	3002	11706	3002	11868	3002
		11569	3002	11708	3002	11869	3003
11403	3002	11572	2088	11711	3002	11871	2088
11404	3003	11575	2088	11712	2088	11874	3002
11405	3003	11576	2088	11713	3002	11875	3002
11407	3003	11577	2088	11716	3003	11876	3002
11410	2088	11578	2088	11717	3002	11878	2088
11411	3003	11579	2088	11719	2088	11880	3003
11413	3002	11583	3003	11722	3003	11883	3002
11414	3003	11585	2088	11725	3003	11885	3002
11416	3002	11587	3003	11727	2088	11886	3003
11417	3002	11592	3003	11730	3002	11887	3003
11420	3003	11594	3002	11732	3002	11897	3002
11423	3003	11601	2088	11736	2116	11898	3002
11433	3003	11602	2088	11742	2088	11902	3002
11435	3002	11603	3002	11743	2088	11904	3002
11440	2088	11604	3002	11744	3003	11911	2088
11441	2088	11610	3002	11747	3003	11917	3003
11442	2088	11614	2088	11753	3002	11918	3002
11443	3002	11616	3003	11754	2088	11921	3002
11446	2088	11617	3003	11759	3003	11923	2088
11447	3002	11618	2088	11760	2088	11925	3003
11449	3002	11622	3002	11762	3002	11926	3002
11452	3002	11624	3003	11763	3003	11927	3002
11454	3003	11625	2088	11768	3003	11928	3003
11464	3002	11628	3003	11769	3003	11937	3002
11466	3002	11629	3002	11770	3003	11940	3002
11470	3002	11630	3002	11779	2088	11941	3002
11471	3002	11631	3002	11780	2088	11943	3002
11475	2088	11633	3002	11781	2088	11951	2116
11480	2088	11634	2116	11782	2088	11953	3003
11482	3002	11635	3002	11793	2088	11956	3002
11483	3002	11636	3003	11796	3002	11958	3003
11484	3002	11638	3003	11797	3003	11963	2088
11489	3002	11640	3003	11801	2088	11964	2088
11492	3003	11644	3002	11803	3002	11965	2088
11495	3003	11645	3003	11804	3003	11966	2088
11496	3003	11646	3003	11805	3003	11967	2088
11497	3003	11647	3003	11806	3002	11968	2088
11498	3002	11648	3002	11808	3002	11969	3003
11499	3002	11649	2088	11809	3002	11978	3002
11500	3002	11650	3002	11813	3003	11979	3002
11503	2088	11651	3002	11814	3003	11984	3003
11504	3003	11652	3003	11815	3003	11987	3003
11505	3002	11653	2116	11816	2088	11988	2088
11507	3002	11656	2088	11818	2116	11989	3002
11509	3002	11658	2088	11825	3002	11990	3003
11510	3002	11659	2088	11828	3003	11991	3003
11511	3003	11661	2116	11830	3002	11993	3002
11512	3002	11669	2088	11831	2088	11995	3003
11513	3003	11670	3002	11833	3002	11997	3002
11523	3002	11671	3003	11841	3003	11998	3002
11524	3002	11673	3003	11847	3002	12001	3002
11525	3003	11675	2088	11851	2088	12004	3002
11536	3002	11680	3002	11852	2088	12006	2088
11537	3002	11682	3002	11853	2088	12007	3003
11538	3003	11683	3002	11854	2088	12013	2088
11547	3002	11685	3002	11855	2088	12015	2088
11550	2116	11689	2088	11856	2088	12016	3002
11551	2116	11691	2116	11857	2088	12017	2088
11553	3002	11692	3003	11858	2088	12018	2088
11555	3002	11693	3002	11859	2088	12019	3002
11559	2088	11695	3002	11860	2088	12026	2088
11561	3003	11697	3002	11863	3002	12027	2088
11563	3002	11698	3002	11865	3002	12037	3002
		11703	3002	11866	2088	12038	3002

ZENITH	KIT	12208	3003	12422	3002	12631	2088
12043	3002	12219	2088	12426	2088	12635	2088
12046	2088	12221	3003	12429	3002	12637	2116
12047	3002	12222	3002	12438	2088	12640	3003
12049	3002	12223	3002	12439	2088	12641	2088
12050	3002	12227	2116	12440	3002	12644	3002
12051	3003	12230	2116	12442	3002	12646	2088
12053	3003	12247	3002	12443	2116	12650	2088
12055	3003	12250	3012	12446	3002	12652	3003
12057	2088	12255	3002	12450	3002	12660	3002
12058	2088	12259	3002	12451	3003	12663	2088
12059	2088	12260	3003	12455	2116	12664	2088
12061	3002	12264	3002	12456	3003	12666	3002
12062	3002	12265	3003	12458	3002	12667	3002
12063	3002	12270	3003	12459	2088	12670	2088
12067	3002	12271	3002	12460	3003	12672	3002
12069	3002	12272	3002	12461	3003	12679	3003
12070	3002	12277	2088	12462	3002	12688	3003
12071	2116	12278	3002	12464	3002	12694	2088
12074	2088	12282	2116	12465	3002	12695	2088
12080	3002	12286	2088	12467	3002	12696	2088
12091	3003	12295	3002	12469	2088	12698	3003
12094	3003	12299	3003	12474	3002	12700	3002
12097	3003	12304	3002	12478	3012	12703	3003
12099	3003	12305	3003	12479	2116	12705	3003
12101	3002	12306	3003	12480	3003	12706	3002
12102	3003	12307	3002	12483	2116	12707	3003
12104	3002	12309	2088	12488	2088	12711	2088
12106	3002	12316	3003	12489	2088	12717	3002
12112	2116	12317	3003	12496	2088	12718	3002
12113	3002	12320	2088	12500	2088	12732	2116
12114	3002	12322	3003	12504	3002	12734	3003
12119	3003	12323	3002	12511	3003	12735	2088
12121	2116	12324	2116	12516	3003	12739	3002
12125	3002	12328	3003	12520	3003	12741	3002
12129	3002	12329	3002	12521	2088	12747	3002
12130	3003	12330	3003	12524	2088	12752	3003
12131	2088	12334	3002	12525	3003	12759	3002
12132	3003	12335	2088	12530	3002	12760	2088
12133	3002	12339	2088	12533	3002	12761	3003
12138	2088	12343	3003	12537	3002	12765	3002
12139	3002	12348	3003	12540	2116	12766	3002
12141	3003	12350	3002	12541	3003	12768	3002
12145	3003	12352	2088	12544	3002	12769	3003
12147	3002	12353	2116	12550	3002	12776	3003
12148	3003	12355	2116	12556	3002	12777	3003
12151	3002	12361	3003	12557	3003	12779	3002
12160	2116	12362	2088	12559	3003	12779	3002
12162	3002	12363	2116	12565	3012	12782	2116
12163	3002	12364	2088	12567	3002	12791	2088
12164	3003	12367	2088	12572	3002	12796	3002
12165	3003	12368	3002	12573	3002	12797	2116
12169	3002	12371	3002	12574	3002	12803	2088
12176	3002	12372	2088	12578	2088	12809	3002
12177	3002	12373	3002	12580	2116	12817	2088
12182	3003	12374	2088	12581	3002	12818	2088
12186	3002	12377	2088	12591	3002	12827	3003
12196	3003	12378	3002	12593	3003	12830	3003
12198	3003	12379	3002	12594	2088	12837	2088
12201	3003	12387	3002	12596	2088	12838	2088
12203	3003	12388	3002	12605	3003	12840	3002
12204	2088	12399	2088	12609	3003	12841	3002
12206	3002	12400	3003	12615	3002	12842	3003
12207	3002	12409	3002	12616	2088	12850	2116
		12419	2088	12619	2088	12856	2088
		12421	3003	12620	2088	12857	2088
				16622	3002	12863	3003
				12626	2088		

ZENITH	KIT						
12867	2088	13082	3002	13364	2088	13627	2088
12868	3002	13083	3002	13366	2116	13629	2088
12872	2088	13084	2088	13368	3003	13632	2088
12875	2088	13086	2088	13378	2116	13635	2088
12876	3003	13090	3002	13388	2088	13637	2088
12877	3003	13100	2088	13389	2116	13639	3012
12881	2116	13101	3003	13392	3012	13659	2088
12883	2088	13103	3002	13393	2088	13661	2116
12884	2088	13130	3002	13394	2088	13662	3012
12888	3002	13131	3003	13399	2116	13667	3012
12889	3002	13136	2116	13402	3012	13668	2116
12890	3002	13139	3003	13403	3012	13669	2116
12891	2088	13144	3003	13407	2116	13672	2088
12892	2088	13145	3003	13408	2116	13673	2116
12893	3003	13147	3002	13410	3003	13678	2116
12898	2088	13148	3003	13411	3003	13684	2088
12904	3002	13154	3003	13414	2116	13685	2116
12905	3003	13156	2088	13421	2088	13686	3003
12908	3002	13162	3002	13425	2088	13688	3012
12910	2088	13169	3002	13426	2088	13691	3012
12914	3002	13171	2088	13427	2088	13693	2088
12918	3003	13175	3003	13436	2088	13697	2088
12919	2116	13185	3003	13437	2088	13699	2116
12929	3002	13189	3002	13438	2088	13702	2116
12930	2088	13195	3003	13441	3003	13709	2088
12933	3012	13203	3002	13442	2088	13710	3003
12937	3003	13204	3012	13443	2088	13712	2088
12938	3003	13207	3002	13444	2088	13715	2116
12939	2088	13222	2116	13448	2088	13721	2116
12942	2088	13223	2088	13456	3012	13725	2088
12945	3003	13227	3002	13457	2088	13726	2116
12946	3002	13231	2088	13458	2088	13734	2116
12948	3002	13233	3002	13470	2088	13736	3003
12953	2088	13237	3012	13478	3003	13737	3003
12954	3002	13241	3012	13480	3012	13738	2088
12957	3003	13245	2088	13485	3003	13739	2088
12958	3002	13247	3002	13496	2088	13740	2088
12965	3003	13248	3002	13506	2088	13742	2116
12972	3003	13249	2088	13507	2088	13743	2088
12973	3003	13250	2088	13525	2088	13748	2116
12978	3003	13251	2088	13526	2088	13754	2088
12977	3002	13253	3002	13527	2088	13755	2088
12980	3012	13267	3003	13539	2116	13756	2088
12981	3002	13269	3003	13544	3003	13759	3003
12983	3002	13272	3012	13547	3003	13766	2088
13000	3003	13291	3003	13548	3012	13773	2116
13008	2116	13301	3002	13553	2116	13776	2116
13011	3003	13303	3003	13554	3003	13777	2088
13014	3002	13307	3003	13558	3002	13778	2088
13021	3002	13313	3012	13562	2088	13779	2116
13035	3002	13314	3012	13564	3012	13789	2088
13036	3003	13317	3002	13566	3012	13796	2116
13038	3002	13319	3002	13574	2088	13797	2116
13042	2088	13325	2088	13575	2088	13798	2088
13043	2116	13327	3003	13577	2116	13799	2088
13051	3002	13331	2116	13578	3012	13801	2116
13055	3002	13336	2116	13580	2116	13806	2088
13057	2116	13340	2088	13590	3003	13809	2088
13060	3012	13341	2088	13598	3003	13810	2088
13063	3002	13342	3003	13601	2088	13813	2116
13065	2088	13343	3003	13606	3003	13815	2088
13076	3003	13345	2088	13614	3003	13818	2088
13080	2116	13346	3012	13617	2088	13820	2088
		13347	3003	13621	2088	13824	2116
		13349	3002	13622	3012	13828	2088
		13358	3002	13626	2116	13829	2116

ZENITH	KIT
13830	2116
13832	2088
13833	2088
13837	2088
13838	2088
13839	2088
13842	2116
13846	2088
13856	2088
13857	2088
13860	2088
13864	3003
13890	2088
13896	2088
13899	2088
13923	2116
13927	2116
13928	2116
13931	2088
13932	2088
13952	2088
13966	2088
13984	2116
14005	2088
14011	2116
14026	2116
14128	2088
14154	2116
14161	2088
14162	2116
14275	2088
14475	2088
14575	2088
14644	3002
14744	3003

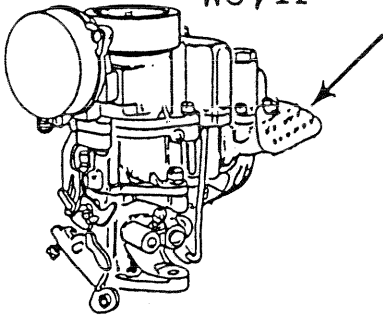
CARBURETOR MODEL - NUMBER IDENTIFICATION

THE FOLLOWING ARE TYPICAL EXAMPLES OF WHERE TO LOOK FOR CARBURETOR IDENTIFICATION NUMBERS.

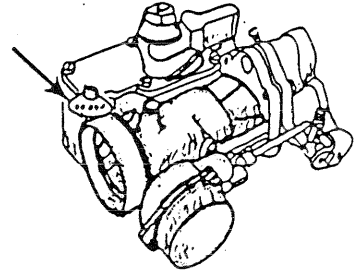
CARTER

MODEL TYPE ON FUEL BOWL ASSEMBLY

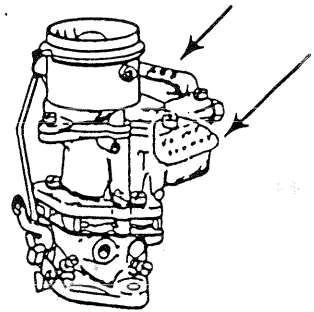
MODELS W-1, WA-1, WE, WO, YF



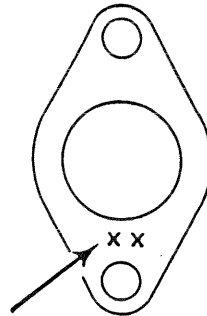
MODEL YH



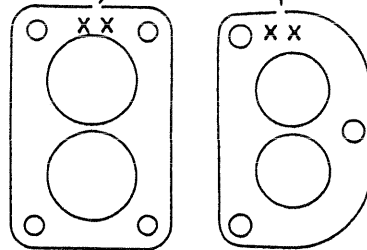
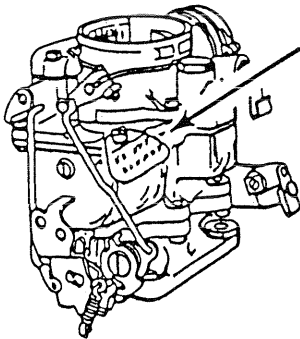
MODELS BB, BB1



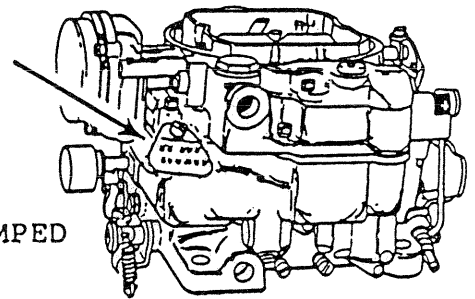
CASTING NUMBER STAMPED ON FLANGE FACE



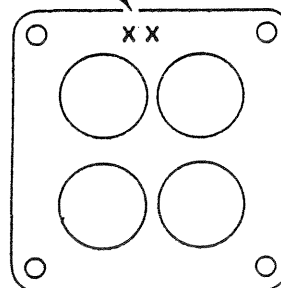
MODELS WDO, WCD, WGD, ABD, BBD



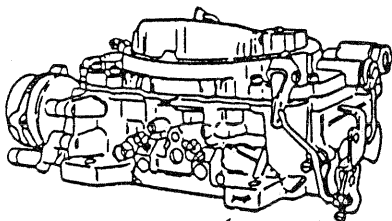
MODEL WCFB



CASTING NUMBER STAMPED ON FLANGE FACE



MODEL AFB



STAMPED NUMBER

CARBURETOR MODEL - NUMBER IDENTIFICATION

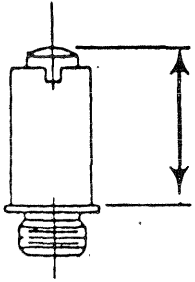
CARTER

MODELS W-1, WA-1

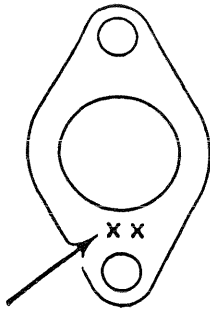
IDENTIFICATION

BY

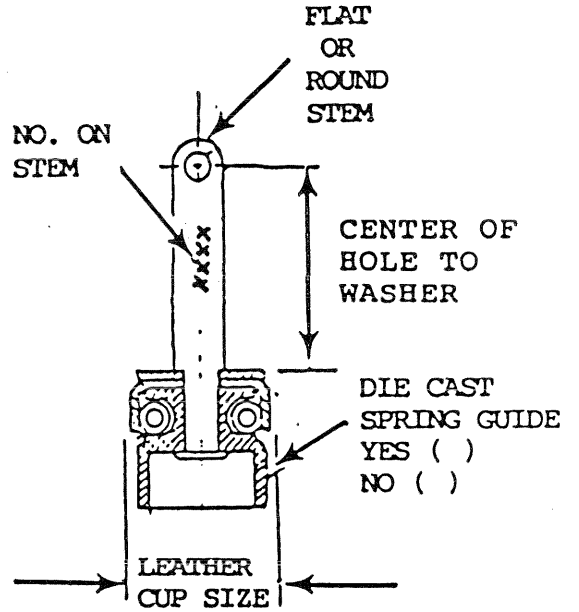
PUMP PLUNGER ASSEMBLY



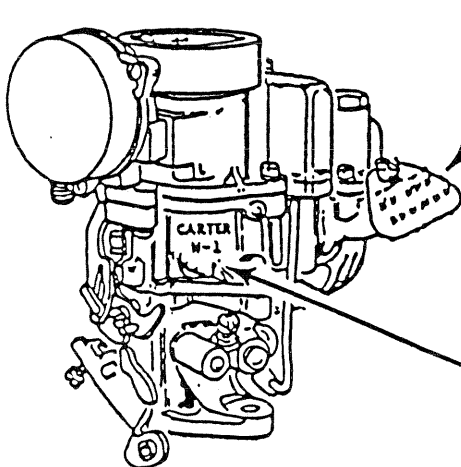
MEASURE FROM GASKET SURFACE TO END OF NEEDLE



CASTING NUMBER STAMPED ON FLANGE FACE



REBUILDABLE PUMP



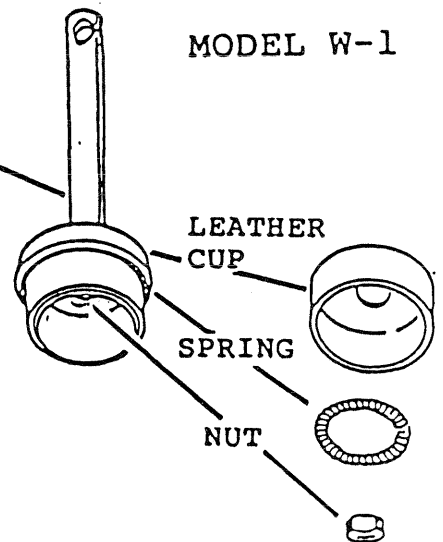
TAG NUMBER

CARTER
W-1

MODEL TYPE ON FUEL BOWL ASSEMBLY

ROUND STEM

MODEL W-1

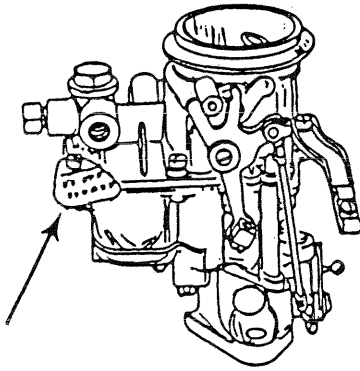


CARBURETOR MODEL - NUMBER IDENTIFICATION

THE FOLLOWING ARE TYPICAL EXAMPLES OF WHERE TO LOOK FOR CARBURETOR IDENTIFICATION NUMBERS.

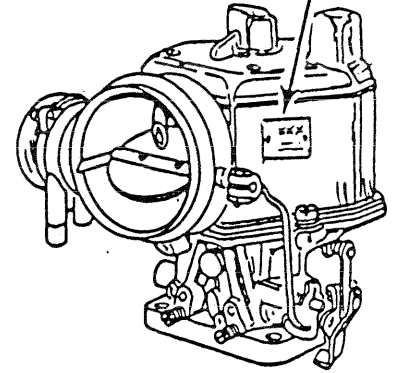
HOLLEY

MODELS 847, 897

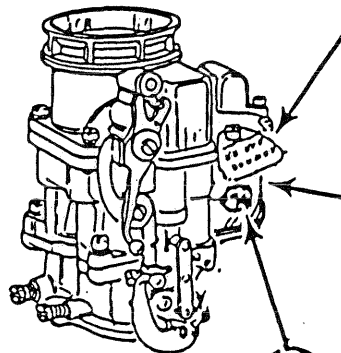


TAG NUMBER

MODEL 885



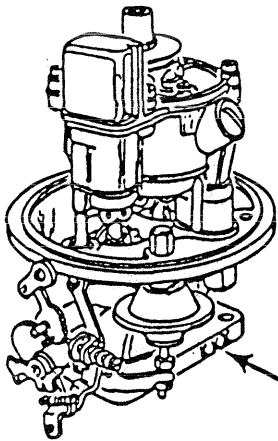
MODELS AA-1, 2100, 2110



STAMPED NUMBER

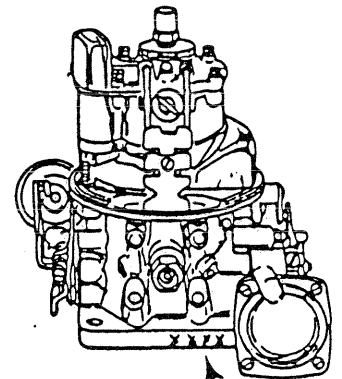
94

MODEL 1901

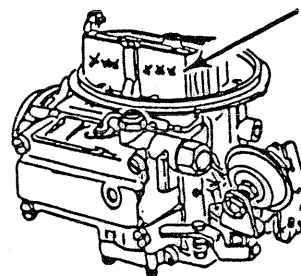


STAMPED NUMBER

MODELS 2140, 4000

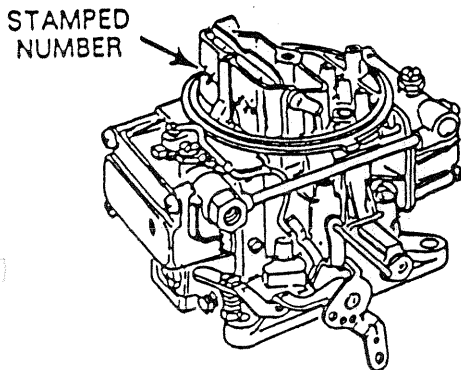


MODEL 2300



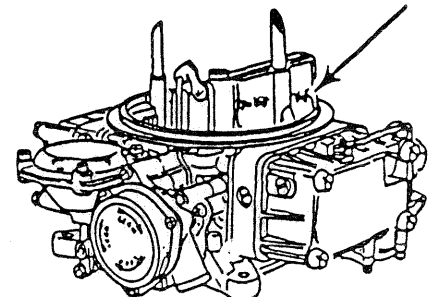
STAMPED NUMBER

MODEL 4160



STAMPED NUMBER

MODEL 4150



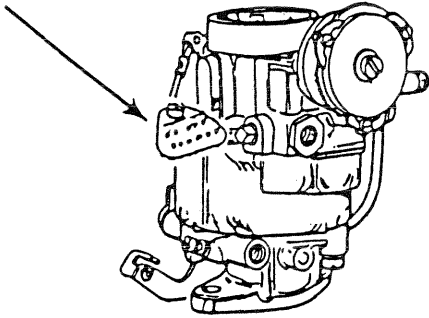
STAMPED NUMBER

CARBURETOR MODEL - NUMBER IDENTIFICATION

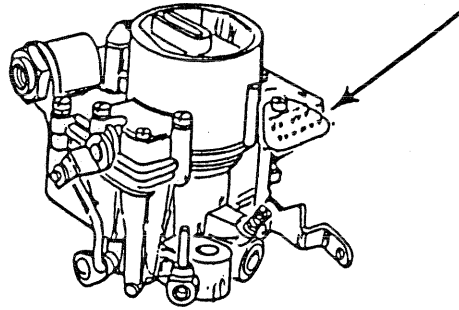
THE FOLLOWING ARE TYPICAL EXAMPLES OF WHERE TO LOOK FOR CARBURETOR IDENTIFICATION NUMBERS.

ROCHESTER

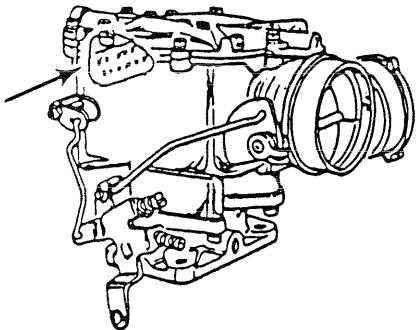
MODELS B, BC, BV



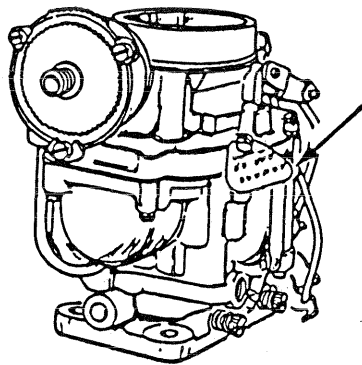
MODELS H, HV



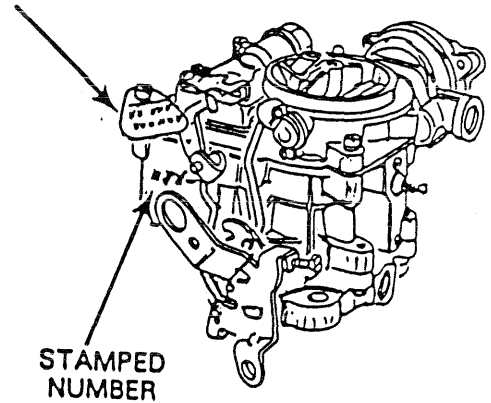
MODEL AA



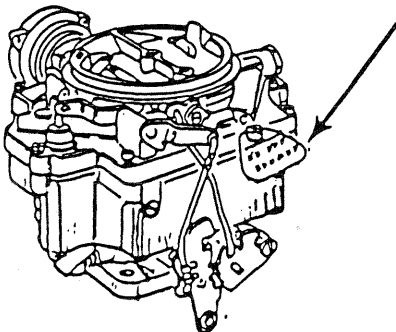
MODEL BB



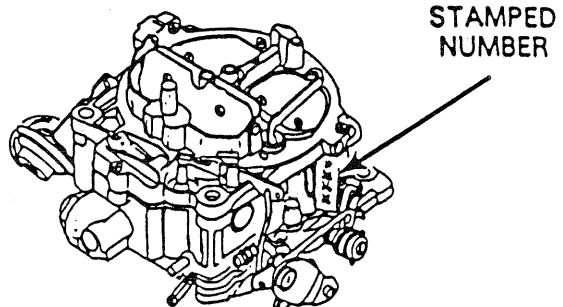
MODELS 2G, 2GC, 2GV



MODELS 4G, 4GC



MODELS 4MC, 4MV

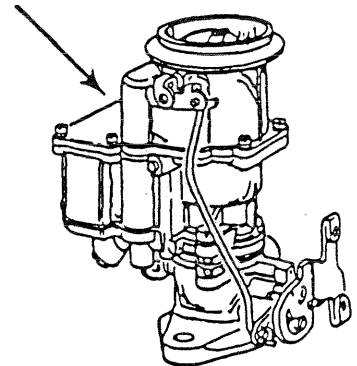


CARBURETOR MODEL - NUMBER IDENTIFICATION

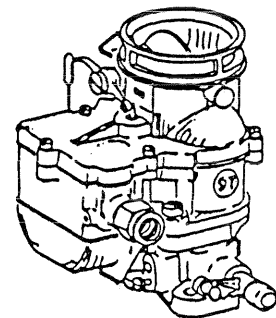
EXPLANATION OF STROMBERG CARBURETOR SYMBOLS

STROMBERG CARBURETORS ARE IDENTIFIED BY A SYMBOL USUALLY FOUND ON ONE OF THREE PLACES: THE AIR HORN, THE MAIN BODY OR THE THROTTLE BODY. THE SYMBOL USUALLY IS INDICATIVE OF A SERIES OF SIMILAR UNITS AND DOES NOT REFER TO A PARTICULAR APPLICATION. TO IDENTIFY EACH UNIT A CODE NUMBER IS STAMPED ON THE FLOAT CHAMBER COVER.

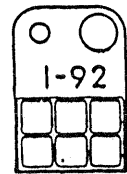
CODE NO.	NAME OF MFG	CODE NO.	NAME OF MFG
1	STANDARD CARB	64	THE CORBITT CO
2	FORD	66	DIAMOND T CO
3	DODGE	70	AVAILABLE TK CO
4	CHRYSLER	71	ABRENS FOX
5	OLDSMOBILE	82	FEDERAL TK
6	STUDEBAKER	83	HARNISCHFEGER
7	BUICK	88	THEW SHOVEL CO
8	NASH	89	BYERS MACHINE CO
10	PACKARD	92	FATE-ROOT-HEATH CO
11	LASALLE	96	WILLYS-OVERLAND
12	REO	97	SEAGRAVE CORP
13	PONTIAC	99	AMERICAN LAFRANCE
14	CHEVROLET	106	KENWORTH TK CO
15	PLYMOUTH	108	MINN-MOLINE PR IMP CO
16	DESOTO	109	TWIN COACH CO
22	HUDSON	121	CLARK TRACTOR
23	G.M.T.C.	124	VULCAN IRON WORKS
24	MACK (INTL MT CO)	128	ALLIS CHALMERS
25	WISCONSIN MT CO	130	LEROI MT CO
26	WAUKESHA MT CO	133	VAUGHAN MT CO
27	HERCULES MT CO	135	WARD LAFRANCE TK
29	WHITE MT CO	147	WHITCOMB LOCO CO
31	AUTOCAR M.T.C.	149	BUEYRUS-ERIE CO
32	INTL HARVESTER CO	153	LIMA LOCO WORKS
34	CONTL MT CORP	165	UNIVERSAL CRANE CO
35	BUDA MT CO	185	FAIRMONT RAILWAY MT CO
39	UNIVERSAL MT CO	205	CADILLAC
40	LINCOLN MT CAR CO	213	CATERPILLAR TRACTOR
41	LYCOMING MT MFG CO	219	AUSTIN MFG CO
49	BROCKWAY M.T. CO	256	FLXIBLE CO
51	CLIMAX ENG CO	265	CHECKER CAB
60	KOEBRING	266	KAISER-FRAZER



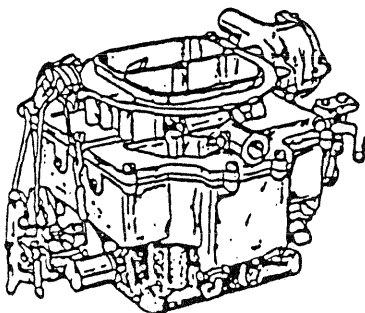
MODELS BXV, BXVD, BXVES



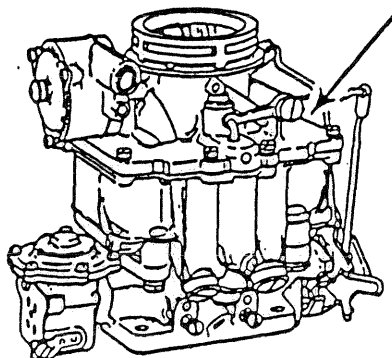
MODEL EE-1 / 97



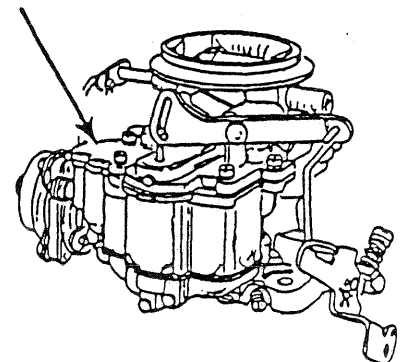
STANDARD
CODE NO. TAG



MODEL 4A



MODEL AA



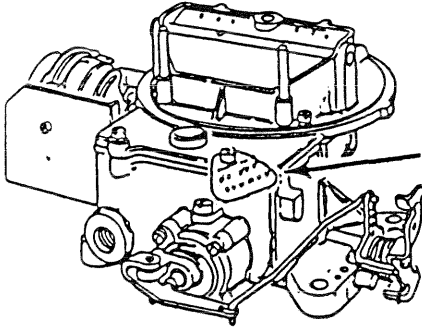
MODEL WW

CARBURETOR MODEL - NUMBER IDENTIFICATION

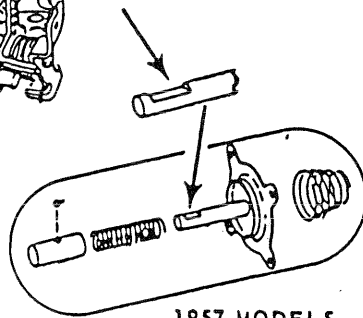
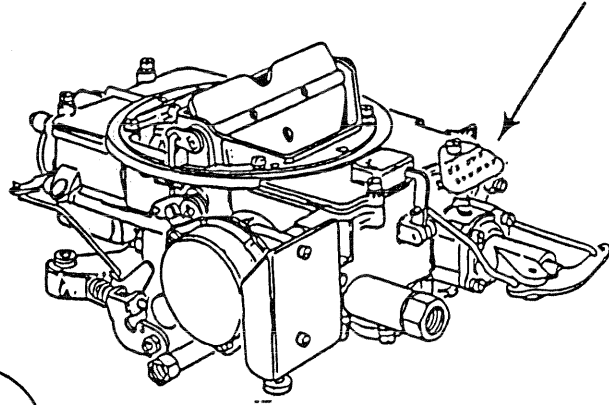
THE FOLLOWING ARE TYPICAL EXAMPLES OF WHERE TO LOOK FOR CARBURETOR IDENTIFICATION NUMBERS.

FORD

MODEL 2100



MODEL 4100

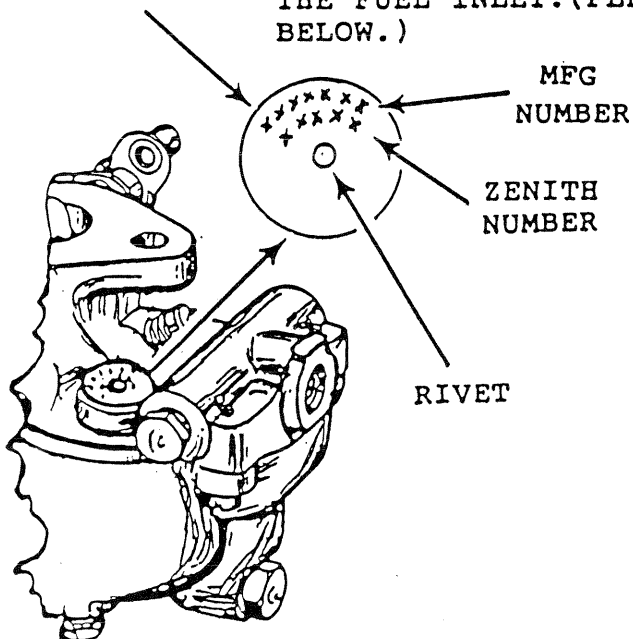


1957 MODELS
Pump diaphragm

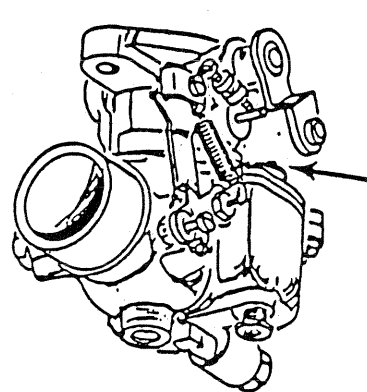
ZENITH

DETERMINE THE ZENITH CARBURETOR PART NUMBER FROM THE METAL DISC OR THE STAMPED NUMBER LOCATED ON THE FUEL BOWL COVER AT OR NEAR THE FUEL INLET. (PLEASE NOTE THE ILLUSTRATION BELOW.)

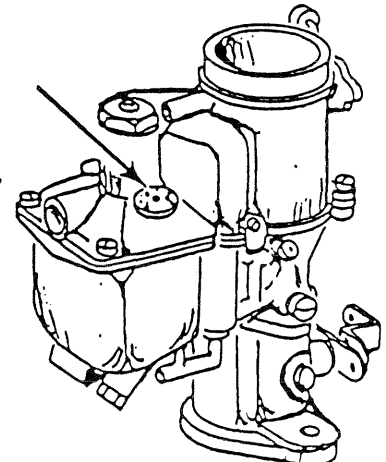
BRASS TAG



DOWNDRAFT TYPE

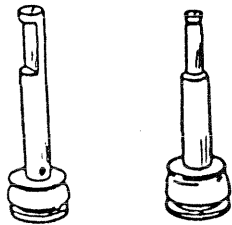


UPDRAFT TYPE



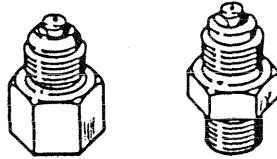
CARBURETOR IDENTIFICATION TOOLS WHEN CARBURETOR NUMBERS ARE NOT AVAILABLE

MODEL AS



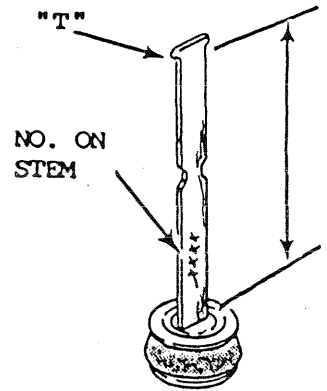
TYPE OF PUMP

CARTER



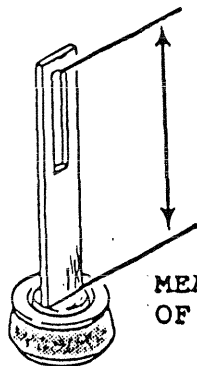
NEEDLE SEAT/FUEL INLET THREADS
MALE PIPE (SIZE)
FEMALE PIPE (SIZE)
INVERTED FLARE (SIZE)

MODEL BB



MEASURE FROM LOWER END OF "T" TO WASHER

HOLLEY



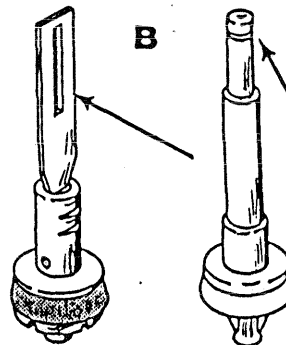
MEASURE FROM TOP OF SLOT TO WASHER

CUP SIZE 5/8" 3/4"

ROCHESTER

2G 4G

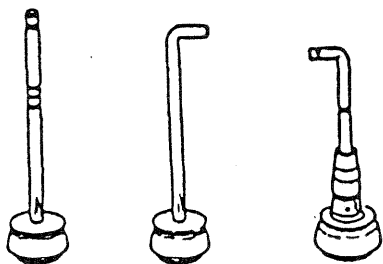
FROM CENTER OF BEND IN STEM TO LIP OF CUP



TYPE OF PUMP

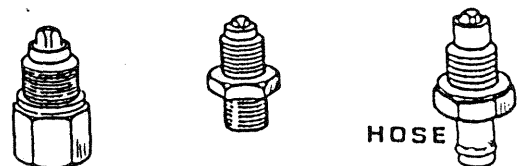
CUP SIZE 5/8" 3/4"

STROMBERG



TYPE OF PUMP

CUP SIZE 5/8" 11/16" 3/4"

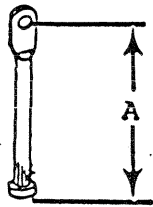


HOSE

NEEDLE SEAT/FUEL INLET THREADS
MALE PIPE (SIZE)
FEMALE PIPE (SIZE)
INVERTED FLARE (SIZE)

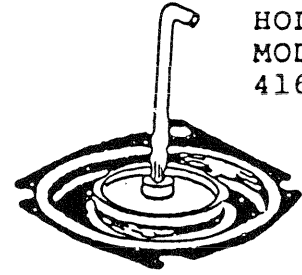
SECONDARY AND GOVERNOR DIAPHRAGM ASSEMBLIES

CENTER OF HOLE TO WASHER

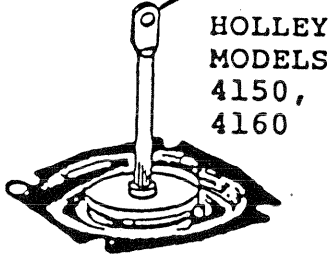


PART NO.	A
5001	1 7/8"
5002	1 31/32"
5003	2 1/16"

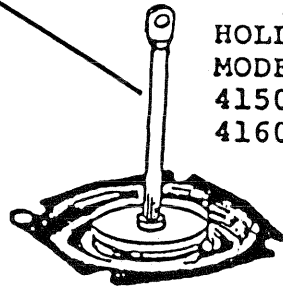
HOLLEY MODEL 4160



PART NO. 5004
(OEM NO. 35R-747A)



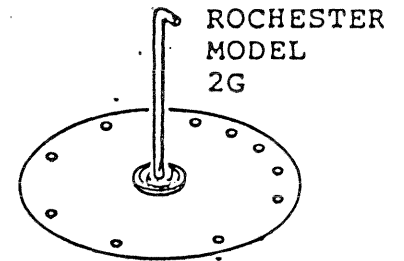
HOLLEY MODELS 4150, 4160



HOLLEY MODELS 4150, 4160

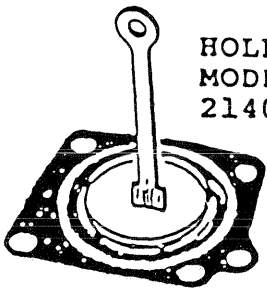
PART NO. 5001
(OEM NO. 35R-199A)
PART NO. 5002
(OEM NO. 35R-219A)

PART NO. 5003
(OEM NO. 35R-235A)

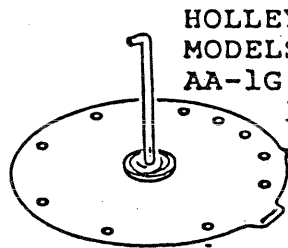


ROCHESTER MODEL 2G

PART NO. 5009
(OEM NO. 7009379)



HOLLEY MODELS 2140, 4000

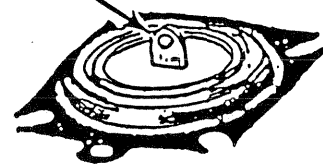


HOLLEY MODELS AA-1G, 852G, 885G, 1901G, 2100G, 2140G, 4000G

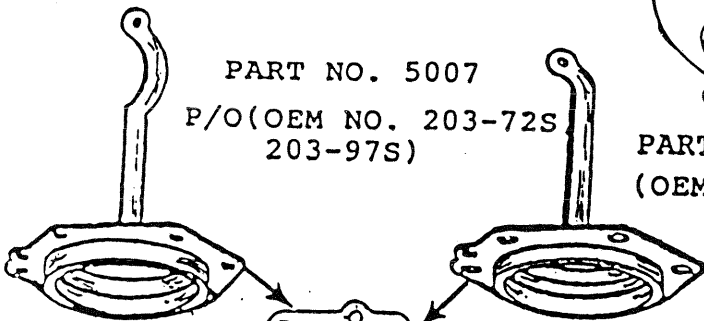
PART NO. 5000
(OEM NO. 35R-136A)

PART NO. 5008
(OEM NO. 35R-15A, 35R-148A)

HOLE
FORD MODEL 4100



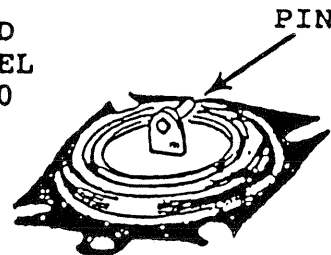
PART NO. 5005
(OEM NO. C5AZ-9503-A, CM-489)



PART NO. 5007
P/O (OEM NO. 203-72S, 203-97S)

PART NO. 5010
(OEM NO. 135-6)

FORD MODEL 4100



PIN

REPLACEMENT DIAPHRAGM FOR CARTER MODELS WCFB, AFB

PART NO. 5006
(OEM NO. B7A-9503-A, B8A-9503-B, CM-6)